



Pool-Pro® Type SP Butterfly Valve

Standard Features (Sizes 1-1/2" – 12")

- **Submersible**

Material of construction allows complete submersion of valve body as all components are compatible with Chlorinated water.

- **PVC/PVC/EPDM Construction**

Ideal for Chlorinated water applications.

- **Blue Handle Design**

New blue handle designates the proper valve is in place for Chlorinated water applications.

- **316SS Non-wetted Stem**

Stem does not come in contact with the media but is still compatible if in direct contact.

- **Thermoplastic Material**

Lightweight construction allows for easy installation.

- **ISO Mounting Pad**

Allows for field mounting of accessories including stem extensions, gear operators & automation.

Sample Specifications

All "Pool-Pro" Type SP Butterfly Valves sizes 1 1/2"-12" shall be of a Pvc Body,Pvc Disc and Epdm construction suitable for Chlorinated water applications. Stem shall be of 316 stainless steel and non-wetted.Valves shall be a self-gasketing design with a convex sealing arrangement. All "Pool-Pro"

Type SP (1 1/2"-10") valves shall be rated to 150 psi and size (12") 100 psi at 70 degrees F as manufactured by Asahi/America. Inc.

Dimensions

NOMINAL SIZE		ANSI CLASS 150										H		H2		H3		A		A1		A2	
INCHES	mm	d	C	n	h	D	D1	D2	D3	L	(Lever)	(Gear)	H1	(Lever)	(Gear)	(Lever)	(Gear)	I	(lever)	(Gear)	A1	A2	
1 1/2	40	1.85	3.88	4	0.62	5.91	3.23	3.94	6.30	1.54	6.14	4.88	2.95	3.94	3.74	2.20	2.36	8.03	8.66	6.57	3.15	1.85	
2	50	2.24	4.75	4	0.75	6.50	3.43	3.94	6.30	1.65	6.37	5.12	3.27	4.17	3.98	2.20	2.36	8.27	8.66	6.57	3.15	1.85	
2 1/2	65	2.80	5.50	4	0.75	7.28	4.41	3.94	6.30	1.81	6.81	5.55	3.66	4.61	4.41	2.20	2.36	8.70	8.66	6.57	3.15	1.85	
3	80	3.15	6.00	4	0.75	7.87	4.84	3.94	6.30	1.81	7.08	5.83	3.94	4.88	4.69	2.20	2.36	8.98	9.84	6.57	3.15	1.85	
4	100	4.13	7.50	8	0.75	9.02	5.79	3.94	6.30	2.20	7.79	6.54	4.53	5.59	5.39	2.20	2.36	9.69	9.84	6.57	3.15	1.85	
6	150	6.06	9.50	8	0.88	11.22	8.27	6.50	6.30	2.80	10.00	8.11	5.63	7.28	6.97	2.72	2.36	11.26	12.60	6.57	3.15	1.85	
8	200	8.03	11.75	8	0.88	13.39	10.12	7.87	7.87	3.43	11.26	9.37	6.69	8.54	8.23	2.72	2.36	12.52	15.75	6.57	3.15	1.85	
10	250	10.08	14.25	12	1.00	15.98	12.44	7.87	7.87	4.33	-	10.63	7.99	-	9.49	-	2.36	14.57	-	7.83	3.74	2.36	
12	300	12.60	17.00	12	1.00	19.02	14.57	9.25	9.84	5.08	-	12.87	9.53	-	11.73	-	2.72	17.80	-	8.35	3.74	2.99	

Pool-Pro®

Specifications

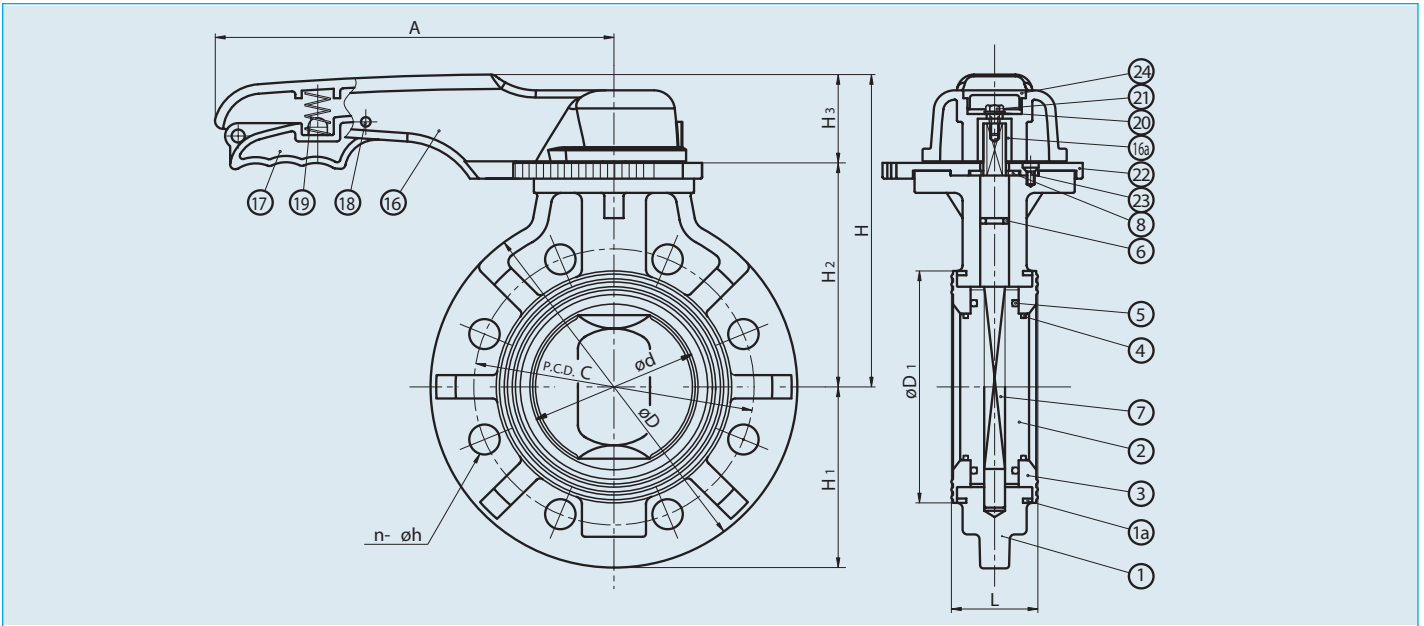
Sizes: 1-1/2" – 12"
Models: Wafer Style
Operators: Lever and Gear
Bodies: PVC
Discs: PVC
Seats: EPDM
Seals: EPDM
Stems: 316 stainless steel

Parts List (Sizes 1 1/2" - 12")

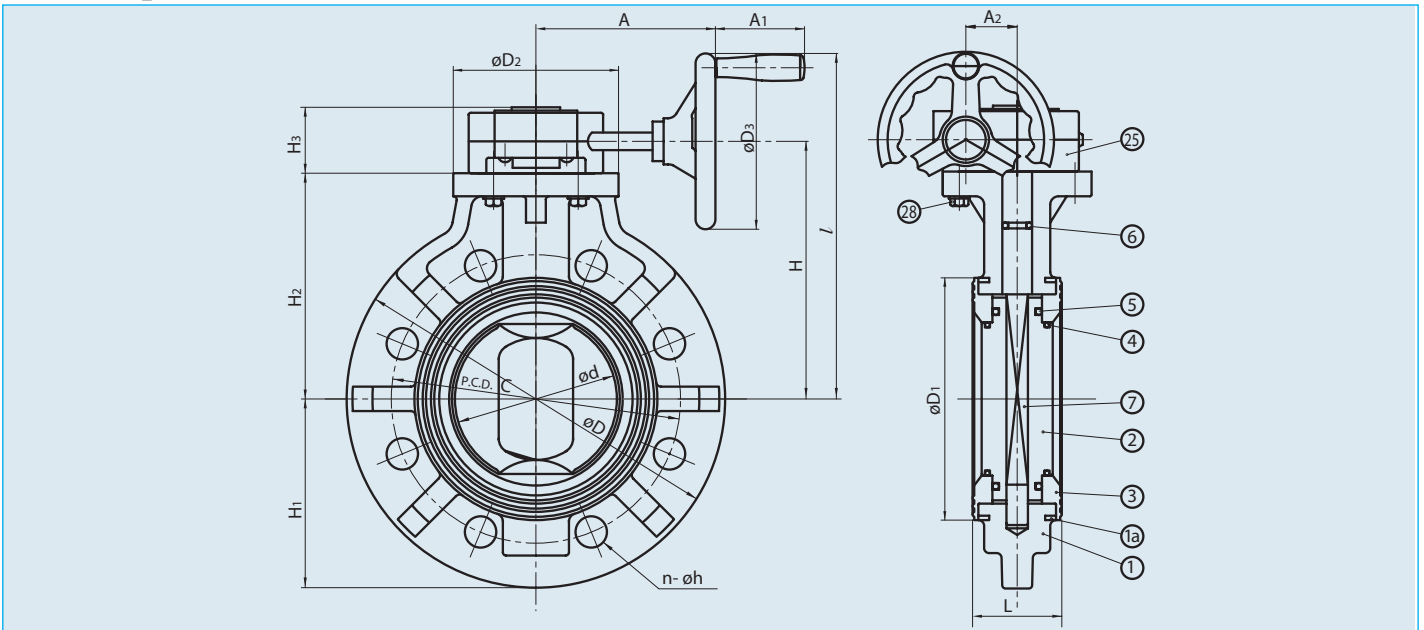
PARTS			
NO.	DESCRIPTION	PCS.	MATERIAL
1	Body	1	PVC
2	Disc	1	PVC
3	Seat	1	EPDM
4	O-Ring (A)	2	EPDM
5	O-Ring (B)	2	EPDM
6	O-Ring (C)	1	EPDM
7	Stem	1	Stainless Steel 316
8	Stem Holder	1	Stainless Steel 304
16	Handle	1	PP
16a	Metal Insert in Handle	1	Stainless Steel 316L
17	Handle Lever	1	PPG
18	Pin	1	PPG
19	Spring	1	Stainless Steel 304
20	Washer (A)	1	Stainless Steel 304
21	Bolt (B)	1	Stainless Steel 304
22	Locking Plate	1	PPG
23	Screw (B)	4	Stainless Steel 304
24	Cap (A)	1	PP
25	Gear Box	1	Dicast Aluminum Power Coated
28	Bolt (C)	4	Stainless Steel 304

Pool-Pro Type SP Butterfly Valve

Lever Style



Gear Style



Pressure vs Temperature

NOMINAL SIZE		30 °F 120 °F
INCHES	mm	
1 1/2	40	150 PSI
2	50	150 PSI
2 1/2	65	150 PSI
3	80	150 PSI
4	100	150 PSI
6	150	150 PSI
8	200	150 PSI
10	250	150 PSI
12	300	100 PSI

Weight (lbs)

NOMINAL SIZE		Lever/Gear Operated
INCHES	mm	
1 1/2 (L)	40	2.7 LBS
2 (L)	50	3.1 LBS
2 1/2 (L)	65	3.5 LBS
3 (L)	80	4.0 LBS
4 (L)	100	5.5 LBS
6 (L)	150	13.3 LBS
8 (L)	200	19.9 LBS
8 (G)	250	24.3 LBS
10 (G)	300	41.0 LBS
12 (G)	350	58.4 LBS

CV Values

NOMINAL SIZE		Cv (at various opening degrees)		
INCHES	mm	30°	60°	90°
1 1/2	40	2.9	43.3	71
2	50	3.9	56.1	92
2 1/2	65	5.9	85.4	140
3	80	9.3	134	220
4	100	15.1	231	380
6	150	46.6	671	1100
8	200	106	1425	2500
10	250	270	1476	3600
12	300	408	2140	5160