

Model 4010 2-Channel RS232/RS485 Interface Converter, Asynchronous

The Model 4010 RS232/RS485 Interface Converter allows communication between devices having RS232 and RS485 interfaces. The Model 4010 is a bi-directional device that converts RS232 level data signals to valid RS485 levels, and RS485 level data signals to valid RS232 levels.

Signals of both the RS232 and RS485 interfaces are regenerated which maintain accurate adherence to interface specifications. A wall mount power supply is included with the Model 4010.



Specifications:

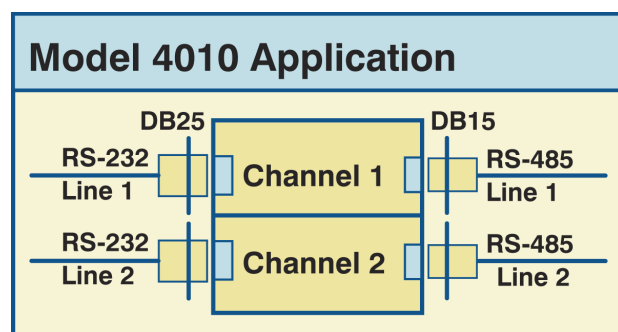
Front Panel:

- Signal Activity LED's:
Two LED's display the transmit data (TD) signal activity for each channel.
- Power LED:
A single LED indicates when AC power is being supplied to the Model 4010.

Rear Panel:

- Data Interface:
Each of the RS232 interface ports is located on the rear panel of the unit and accessed via standard DB25 female connectors. Each of the RS485 interface ports is located on the rear panel of the unit and accessed via standard DB15 female connectors.
- Power Connector:
A five pin DIN connector located on the rear panel accepts the output power connector from the wall mount transformer.
- Size: 5.25" W x 2.35" H x 7.25" D; Weight Approximately 2 lbs.
- Power: UL approved wall mount power module, 115 VAC, 60 Hz.

CONNECTOR PIN/SIGNAL REFERENCE			
DB25 PIN #	RS232 SIGNAL	DB15 PIN #	RS485 SIGNAL
1	CH GND	1	CH GND
2	TD (input)	2	TD +(output)
3	RD (output)	4	RD +(input)
7	GND	9	TD -(output)
		11	RD -(input)



VISIT OUR WEBSITE <http://www.ElectroStandards.com>