



BATCHFLUX 5500 C Technical Datasheet

Electromagnetic flowmeter for volumetric filling machines

- High-stability zirconium oxide measuring tube
- Extreme long-term stability
- Most compact and lightweight design in the market



1	Product features	3
<hr/>		
1.1	Flowmeter for volumetric filling machines	3
1.2	Features.....	5
1.2.1	Innovative design.....	5
1.2.2	Designed for hygienic use.....	5
1.2.3	Lightweight and compact design.....	6
1.2.4	Quick and continuous data transmission	6
1.3	Measuring principle.....	7
2	Technical data	8
<hr/>		
2.1	Technical data.....	8
2.2	Temperatures	12
2.3	Dimensions and weights	13
2.4	Counter Flanges	16
3	Installation	17
<hr/>		
3.1	Notes on installation	17
3.2	Inlet and outlet	17
3.3	Mounting position	18
3.4	Hot filling	18
3.5	Horizontal pipe run.....	19
3.6	Control valve.....	19
3.7	Pump.....	19
3.8	Open feed or discharge	20
3.9	Installation location	20
3.10	Flange deviation.....	21
3.11	Grounding	21
4	Electrical connections	22
<hr/>		
4.1	Safety instructions.....	22
4.2	Electrical connection.....	22

1.1 Flowmeter for volumetric filling machines

BATCHFLUX 5500 C is the industrial standard for volumetric filling machines. Its zirconium oxide liner guarantees extreme long-term dimensional stability and therefore no change in repeatability of filling volumes over long periods of time.

The **BATCHFLUX 5500 C** is the successor to the **BATCHFLUX 5015 C**. The **BATCHFLUX 5500 C** offers some major improvements for the most commonly use sizes: DN10 and DN15. It has a better versatility of applications with a much better performance in difficult applications like fibrous products, hot filling and CIP / SIP processes.

Another improvement is that KROHNE has been able to further reduce the dimensions and weight of the flowmeter. It now fits in tighter spaces. The weight of filling machines can be reduced and energy savings are possible.

The **BATCHFLUX 5500 C** has an extreme low energy consumption. For the owner of the filling machine this means lower operation costs.



- ① Fully welded all stainless steel housing
- ② Sealed electronics
- ③ Hygienic design of process connection

Highlights

- Design enables high speed filling with minimal product loss
- High level of filling accuracy
- Long term reliability due to extreme high dimensional stability
- Low power consumption of only 3 W
- Hygienic construction
- Easy to clean.
- CIP and SIP proof
- Absolutely leak-free stainless steel housing concept (DN10 and DN15)
- Application versatility
- 3A approval, FDA compliance (DN2.5...15)

Industries

- Food & Beverages
- Chemical
- Pharmaceutical

Applications

- Carousel and linear filling machines
- Water
- Soft drinks
- Milk
- Beer
- Fruit juices and other fluids with fibres
- Hot fillings up to 140°C / 284°F

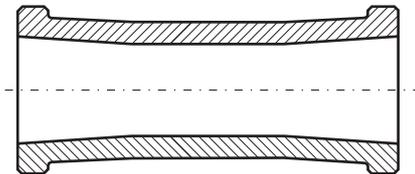
1.2 Features

1.2.1 Innovative design



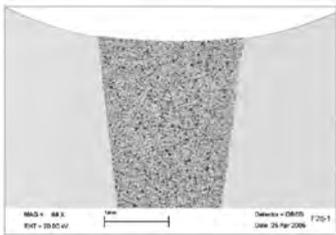
Zirconium Oxide liner

The measuring tube of the BATCHFLUX 5500 C consists of high-strength, temperature shock resistant zirconium oxide. This material is dimensionally extremely stable as it does not leak, creep or absorb any moisture and is vapour proof. Even with hot filling or after steam-cleaning the measuring accuracy and repeatability remain excellent over a long period of time. Repairs, replacements or recalibrations are not required leading to minimal downtime and maintenance.



Measuring tube for an optimized flow profile

The BATCHFLUX 5500 C tapers off to the measuring electrode. As a result, the flow profile is optimised and more regular.



Gap-free fused-in-place electrodes

The sensing electrodes are composed of a mixture of platinum with zirconium oxide (cermet). It is sintered to the ceramic measuring tube, forming a gap-free and hermetically tight connection. As potential leakage along the electrodes is eliminated, defects like short circuited electrodes and moisture in the housing are minimized.

1.2.2 Designed for hygienic use

Any contaminants are unacceptable for the Food & Beverages and pharmaceutical industry. The BATCHFLUX 5500 C meets these hygienic requirements as the housing is easy to clean with all rounded corners, it is non corrosive and fully welded.

1.2.3 Lightweight and compact design



The BATCHFLUX 5500 C helps to reduce the costs of construction and operation. The BATCHFLUX 5500 C is the smallest and most lightweight electromagnetic flowmeter for batching and filling and allows for a more compact design of filling machines. Its low weight reduces the weight of the filling machine. The power consumption of only 3 W combined with the reduced weight result in substantial energy savings.

1.2.4 Quick and continuous data transmission



All operating data for the BATCHFLUX 5500 C are preset at the factory. For changing the parameters and diagnostic purposes BATCHMon plus operation software can be used.

The easy to operate service tool provides quick and continuous data transmission.

For diagnostic purposes the filling process can be graphically displayed.

The required hardware for connection from BATCHFLUX 5500 C to computer consists of a connector, cable and usb converter, which are optionally available.

1.3 Measuring principle

An electrically conductive fluid flows inside an electrically insulating pipe through a magnetic field. This magnetic field is generated by a current, flowing through a pair of field coils. Inside of the fluid, a voltage U is generated:

$$U = v * k * B * D$$

in which:

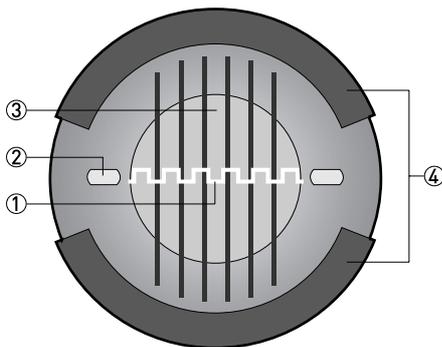
v = mean flow velocity

k = factor correcting for geometry

B = magnetic field strength

D = inner diameter of flow meter

The signal voltage U is picked off by electrodes and is proportional to the mean flow velocity v and thus the flow rate q . The signal voltage is quite small (typically 1 mV at $v = 3$ m/s / 10 ft/s and field coil power of 1 W). Finally, a signal converter is used to amplify the signal voltage, filter it (separate from noise) and convert it into signals for totalising, recording and output processing.



- ① Induced voltage (proportional to flow velocity)
- ② Electrodes
- ③ Magnetic field
- ④ Field coils

2.1 Technical data

- *The following data is provided for general applications. If you require data that is more relevant to your specific application, please contact us or your local representative.*
- *Additional information (certificates, special tools, software,...) and complete product documentation can be downloaded free of charge from the website (Download Center).*

Measuring system

Measuring principle	Faraday's law
Application range	Electrically conductive fluids
Measured value	
Primary measured value	Flow velocity
Secondary measured value	Volume flow

Design

Features	Tube: Zirconium oxide (DN2.5...15) / Aluminium oxide (DN25...40)
	Electrodes: Fused-in cermet (DN2.5...15) / Platinum (DN25...40)
	Standard wet calibration
Modular construction	The measurement system consists of a flow sensor and a signal converter. It is only available as compact version.
Compact version	BATCHFLUX 5500 C
Nominal diameter	DN2.5...40 / 0.1...1½"
Measurement range	-12...+12 m/s / -39...+39 ft/s
User interface	
Operating data	Factory set to customer specification.
Human Machine Interface (HMI)	Option: BATCHMon Plus software
Cable connections	1x M12, 5-pin connector

Measuring accuracy

Reference conditions	Medium: water	
	Inlet / outlet section: 10 DN / 5 DN	
	Valve closing time variation: < 1 ms	
	Flow velocity: 1 m/s, flow conditions similar to EN 29104	
	Operating pressure: 1 bar / 14.5 psi	
Error limits at reference conditions for tap water, 400 µS/cm, 20°C / 68°F:		
Maximum measuring error	DN2.5...6:	
	v ≤ 1 m/s: ±0.4% of measured value + 1 mm/s	
	v > 1 m/s: ±0.5% of measured value	
	DN10...15:	
	±0.2% of measured value + 1 mm/s	
	DN25...40:	
	v ≤ 1 m/s: ±0.2% of measured value + 1 mm/s	
v > 1 m/s: ±0.3% of measured value		
Repeatability	DN2.5...6 / DN25...40:	Standard deviation:
	Filling time 1.5...3 s:	≤ 0.4%
	Filling time 3...5 s:	≤ 0.2%
	Filling time > 5 s:	≤ 0.1%
	DN10...15:	Standard deviation:
	Filling time 1.5...3 s:	≤ 0.3%
	Filling time 3...5 s:	≤ 0.15%
	Filling time > 5 s:	≤ 0.08%
	Error limits at reference conditions for hot water, 400 µS/cm, 80°C / 176°F:	
Maximum measuring error	DN10...15:	
	±0.2% of measured value + 1 mm/s	
Repeatability	DN10...15:	Standard deviation:
	Filling time 1.5...3 s:	≤ 0.3%
	Filling time 3...5 s:	≤ 0.2%
	Filling time > 5 s:	≤ 0.1%

Operating conditions

Temperature	
Process temperature	Dependent of ambient temperature. See chapter "Temperatures".
Cleaning temperature	SIP: Maximum 1 hour at 150°C / +302°F
	CIP: Maximum 1 hour at 140°C / +284°F
Shock	≤ 3 K/s
Ambient temperature	-40...+60°C / -40...+140°F
Storage temperature	-50...+70°C / -58...+158°F
Pressure	
Ambient	Atmospheric
Process pressure	up to 16 bar / 232 psi for DN10...15
	up to 40 bar / 580 psi for DN2.5...6 / DN25...40
Vacuum load	0 mbara / 0 psig
Chemical properties	
Physical condition	Liquids
Electrical conductivity	≥ 5 μS/cm (≥ 20 μS/cm for demineralised water)
Recommended flow velocity	-12...+12 m/s / -39...+39 ft/s

Installation conditions

Installation	For detailed information see chapter "Installation".
Inlet run	≥ 5 DN
Outlet run	≥ 2 DN
Dimensions and weights	For detailed information see chapter "Dimensions and weights".

Materials

Sensor housing	Stainless steel 1.4404 / 1.4408
Converter housing	Stainless steel 1.4404 / 1.4408
Measuring tube	Fused in-place
Measuring electrodes	DN2.5...15: Cermet
	DN25...40: Platinum

Process connections

Connection	Sandwich design
	Optional: Pressure relief groove at flange facing of the sensor
	Construction drawings of counter flanges available from download centre.

Electrical connections

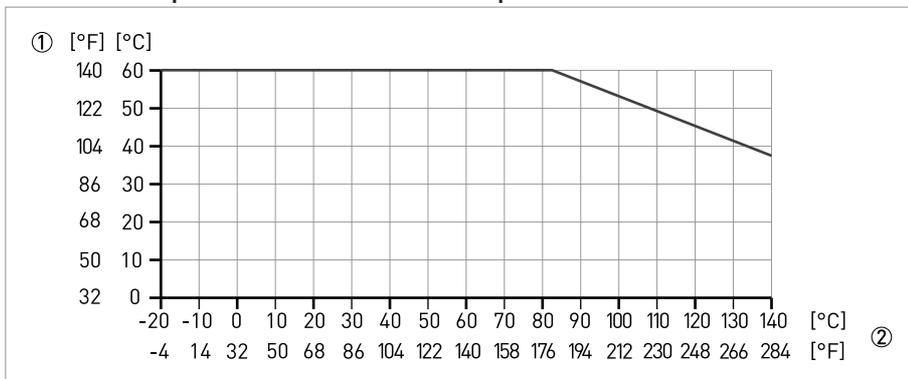
Power supply	24 VDC \pm 25%
	Please use a 4 wire cable when wiring the M12 plug.
Power consumption	\leq 3 W
Switch on current	\leq 5 A (< 100 μ s) at 24 VDC
Voltage loss	Possible for a maximum of 20 ms according to NAMUR NE21.
BATCHMON Plus	For parameter setting and diagnostic purposes, communication via PC with a single device (optional)
Frequency output	
Type	Frequency (passive) / galvanically isolated from power supply
Function	All operating data preset at factory.
Interval	Counter gate time \geq 1000 / [P _{100%} [Hz]]
Frequency output	\leq 10 kHz
Pulse width at full scale value	\leq 10 Hz: 50, 100, 200 or 500 ms
	> 10 Hz: automatic, pulse width = 1 / (2 x f _{100%}) or symmetrical, 1:1
Passive operation	Connection of electronic or electromechanical counters.
	External voltage: \leq 30 VDC / \leq 24 VAC
	Load: I _{max} \leq 20 mA
Low flow cut-off	Threshold: 0...20%
	Hysteresis: 0...20%
	Hysteresis \leq threshold

Approvals and certifications

CE	
	This device fulfills the statutory requirements of the EC directives. The manufacturer certifies successful testing of the product by applying the CE mark.
Electromagnetic compatibility	Directive: 2004/108/EC
	Harmonized standard: EN 61326-1: 2006
Low voltage directive	Directive: 2006/95/EC
	Harmonized standard: EN 61010: 2001
Pressure equipment directive	Directive: 97/23/EC
	Category SEP
	Fluid group 1
	Production module H
Other approvals and standards	
Protection category acc. to IEC 529 / EN 60529	DN2.5...6 / DN25...40: IP 66/67
	DN10...15: IP 69K
Shock- and vibration resistance	IEC 68-2-3
Hygienic	DN2.5...15: 3A
	FDA approved materials

2.2 Temperatures

Process temperature vs ambient temperature



- ① Ambient temperature
- ② Process temperature

2.3 Dimensions and weights

DN2.5...6

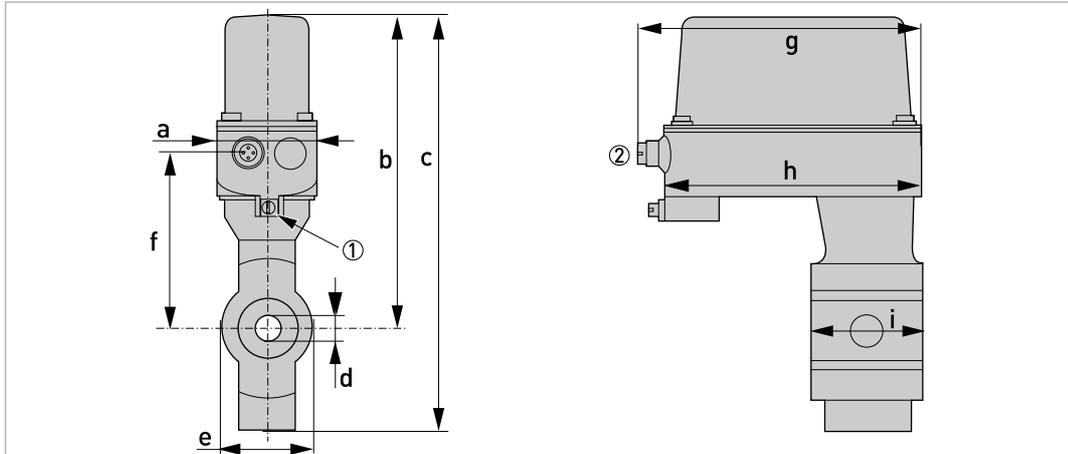


Figure 2-1: Dimensions

- ① M 5
- ② 5 pins connector

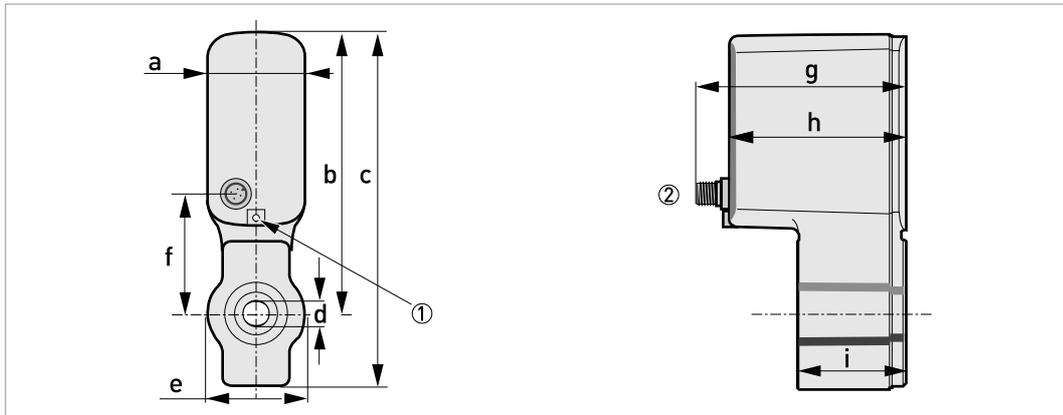
Nominal size	Dimensions [mm]									Weight [kg]
	a	b	c	d	e	f	g	h	i	
DN2.5	50	156	206	6 → 2.5	44	88	141	128	54	1.5
DN4	50	156	206	7 → 3.2	44	88	141	128	54	1.6
DN6	50	156	206	9 → 4.8	44	88	141	128	54	1.6

Note on dimension d: As the diameter reduces to the middle, the diameter is specified for the inlet and for the middle

Nominal size	Dimensions [inches]									Weight [lb]
	a	b	c	d	e	f	g	h	i	
1/10"	1.97	6.14	8.11	0.24 → 0.10	1.73	3.46	5.55	5.0	2.13	3.4
1/6"	1.97	6.14	8.11	0.28 → 0.13	1.73	3.46	5.55	5.0	2.13	3.6
1/4"	1.97	6.14	8.11	0.35 → 0.19	1.73	3.46	5.55	5.0	2.13	3.6

Note on dimension d: As the diameter reduces to the middle, the diameter is specified for the inlet and for the middle

DN10...15



- ① M 5
- ② 5 pins connector

Nominal size	Dimensions [mm]									Weight [kg]
	a	b	c	d	e	f	g	h	i	
DN10	50	140	179	10.5 → 8	45.4	60	106.5	88	54	1.4
DN15	50	140	179	14 → 12	45.4	60	106.5	88	54	1.4

Note on dimension d: As the diameter reduces to the middle, the diameter is specified for the inlet and for the middle

Nominal size	Dimensions [inches]									Weight [lb]
	a	b	c	d	e	f	g	h	i	
3/8"	1.97	5.51	7.05	0.41 → 0.31	1.79	2.36	4.19	3.46	2.13	3.09
1/2"	1.97	5.51	7.05	0.55 → 0.47	1.79	2.36	4.19	3.46	2.13	3.09

Note on dimension d: As the diameter reduces to the middle, the diameter is specified for the inlet and for the middle

DN25..40

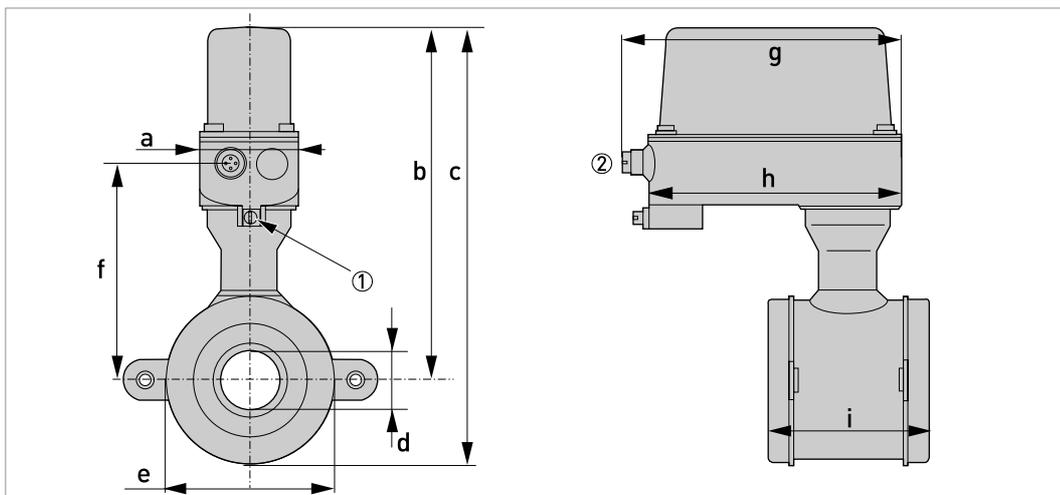


Figure 2-2: Dimensions

- ① M 5
- ② 5 pins connector

Nominal size	Dimensions [mm]									Weight [kg]
	a	b	c	d	e	f	g	h	i	
DN25	50	170	204	26 → 20	68	102	141	128	58	1.6
DN40	50	177	219	39 → 30	84	117	141	128	83	2.3

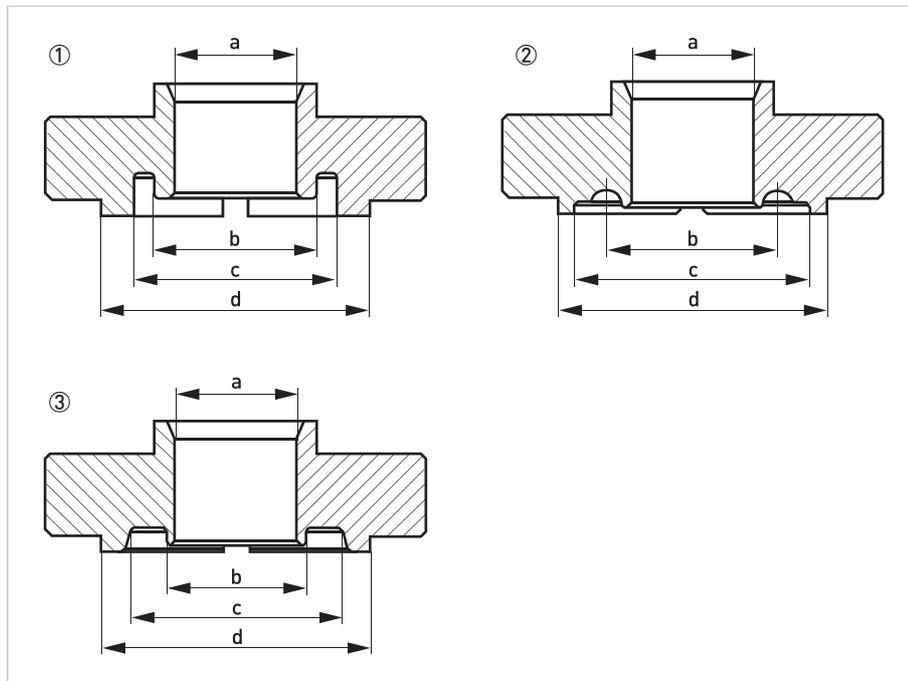
Note on dimension d: As the diameter reduces to the middle, the diameter is specified for the inlet and for the middle

Nominal size	Dimensions [inches]									Weight [lb]
	a	b	c	d	e	f	g	h	i	
1"	1.97	6.69	8.03	1.02 → 0.79	2.68	4.02	5.55	5.04	2.28	3.6
1 1/2"	1.97	6.97	8.62	1.54 → 1.18	3.30	4.61	5.55	5.04	3.27	5.1

Note on dimension d: As the diameter reduces to the middle, the diameter is specified for the inlet and for the middle

2.4 Counter Flanges

The BATCHFLUX 5500 can be mounted between various types of counter flanges.



Sizes of flanges

	a [mm]	b [mm]	c [mm]	d [mm]	O-ring
Flange ①	∅ 14.2	∅ 18.5	∅ 23	∅ 30.4	Special L-ring
Flange ②	∅ 14.2	∅ 19.2	∅ 26.6	∅ 30.4	15.47 * 3.53
Flange ③	∅ 14.2	∅ 15.8	∅ 24	∅ 30.4	15.47 * 3.53

Detailed construction drawings of the above sketches are available from the download centre

The O-rings require periodic replacement. As the interval depends on process-specific variables, the length of the interval cannot be specified.

The O-rings are not part of the portfolio of KROHNE.

3.1 Notes on installation

Inspect the cartons carefully for damage or signs of rough handling. Report damage to the carrier and to the local office of the manufacturer.

Check the packing list to check if you received completely all that you ordered.

Look at the device nameplate to ensure that the device is delivered according to your order. Check for the correct supply voltage printed on the nameplate.

3.2 Inlet and outlet

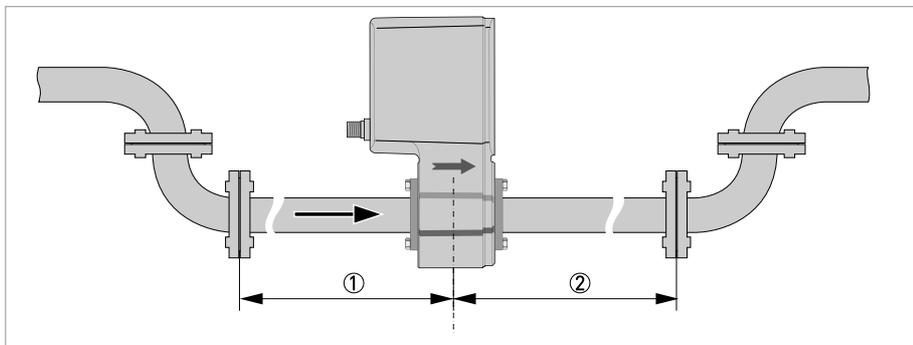


Figure 3-1: Inlet and outlet section

① ≥ 5 DN

② ≥ 2 DN

3.3 Mounting position

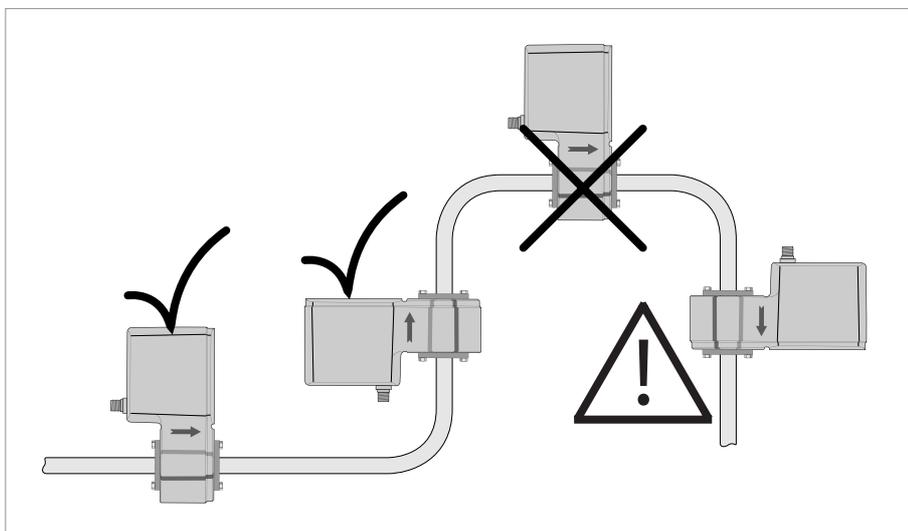


Figure 3-2: Installation in bending pipes

Avoid draining or partial filling of the flow sensor.

Vertical down position only in conjunction of a control valve

3.4 Hot filling

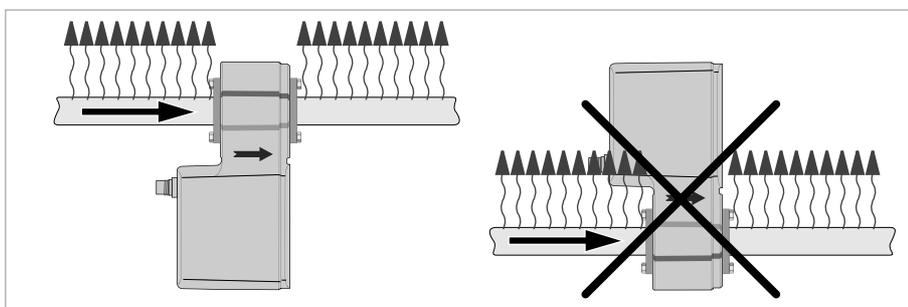


Figure 3-3: Installation position with heated pipes

3.5 Horizontal pipe run

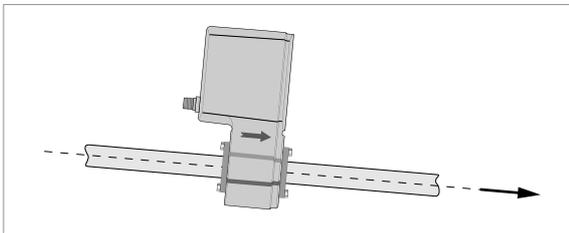


Figure 3-4: Horizontal piperun

Install in a slightly descending pipe section to prevent air from collecting and to avoid faulty measurements (meter can drain).

3.6 Control valve

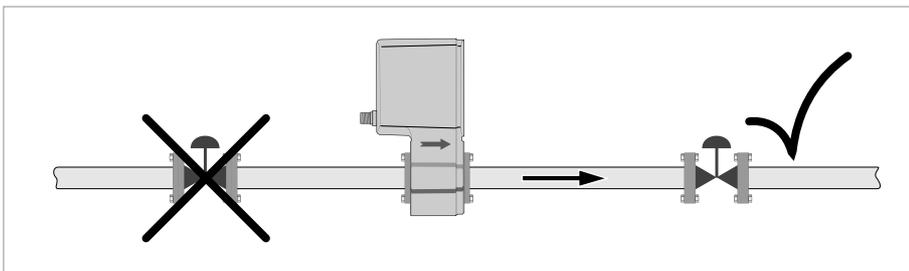


Figure 3-5: Installation before control valve

3.7 Pump

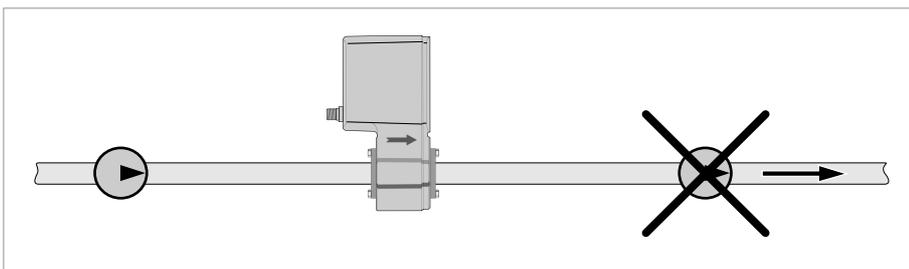


Figure 3-6: Installation after pump

3.8 Open feed or discharge

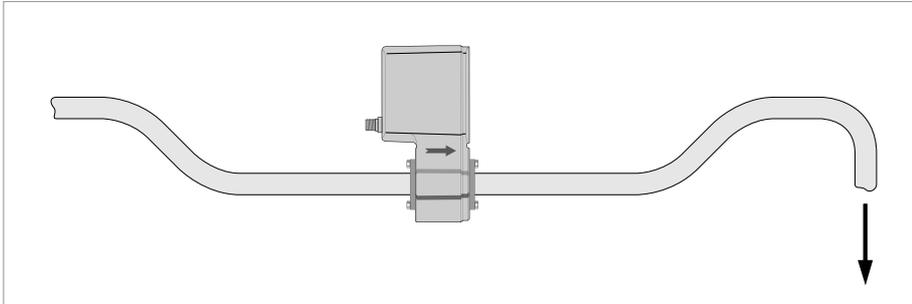


Figure 3-7: Installation before an open discharge

3.9 Installation location

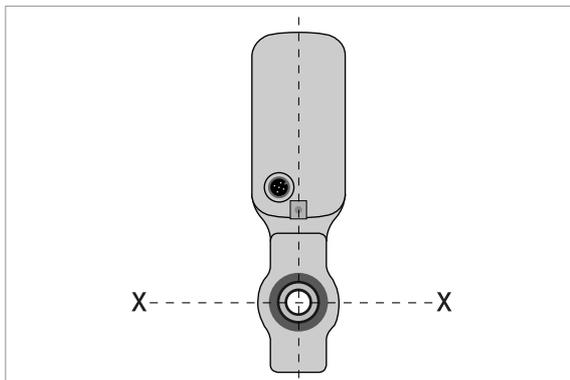


Figure 3-8: Installation location

Mount the flow sensor in such a way that the electrode axis (X-----X) is approximately in a horizontal pipe run.

3.10 Flange deviation

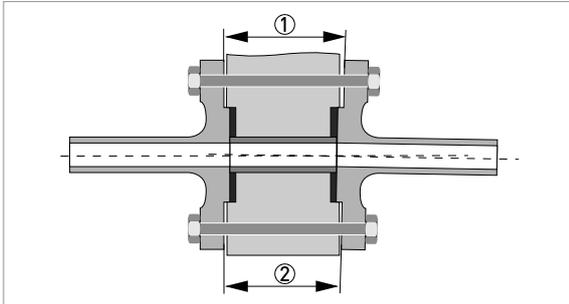


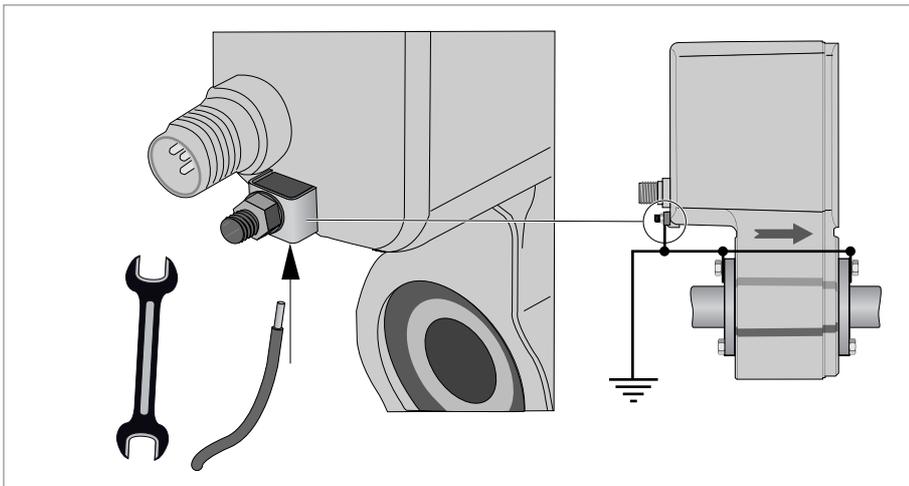
Figure 3-9: Mounting position and flange deviation

- ① L_{max}
- ② L_{min}

Max. permissible deviation of pipe flange faces:

$$L_{max} - L_{min} \leq 0.5 \text{ mm} / 0.02''$$

3.11 Grounding



The grounding wire should not transmit any interference voltage. Therefore do not ground any other electrical device at the same conductor.

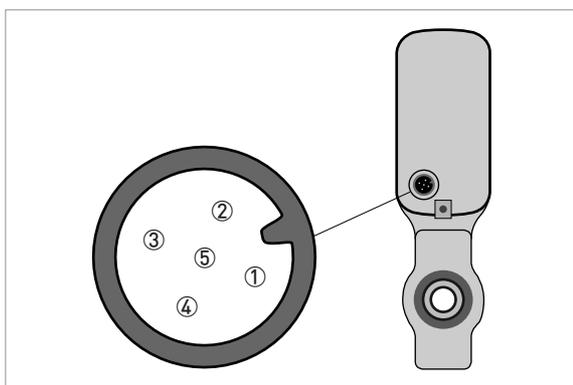
When connecting to functional extra-low voltages (24VDC), ensure that you use protective separation (PELV) according to IEC 364/IEC 536 or VDE 0100/VDE 0106.

4.1 Safety instructions

Observe without fail the local occupational health and safety regulations. Any work done on the electrical components of the measuring device may only be carried out by properly trained specialists.

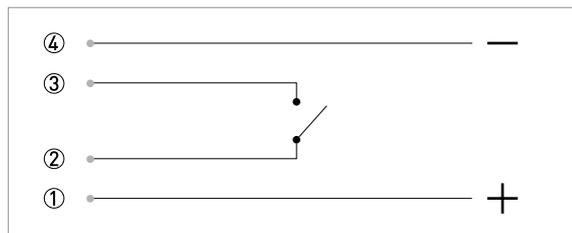
Look at the device nameplate to ensure that the device is delivered according to your order. Check for the correct supply voltage printed on the nameplate.

4.2 Electrical connection



- ① +24 VDC
- ② Frequency output
- ③ Frequency output (ground)
- ④ Ground
- ⑤ BATCHMon Plus, for service / parameter settings

Use only a 4 wire cable (Pin 1 to 4)



Use one of the following attachment plug types to connect the flowmeter to a third party system:

- moulded plug, straight or angle-entry form
- integrally extruded plug with cable in various lengths
- moulded plug, straight form, especially suitable for high-interference environments

Possible vendors of these plugs are:

- Binder
- Hirschmann
- Lumberg
- Amphenol
- Coninvers



KROHNE product overview

- Electromagnetic flowmeters
- Variable area flowmeters
- Ultrasonic flowmeters
- Mass flowmeters
- Vortex flowmeters
- Flow controllers
- Level meters
- Temperature meters
- Pressure meters
- Analysis products
- Measuring systems for the oil and gas industry
- Measuring systems for sea-going tankers

Head Office KROHNE Messtechnik GmbH
Ludwig-Krohne-Str. 5
D-47058 Duisburg (Germany)
Tel.: +49 (0)203 301 0
Fax: +49 (0)203 301 10389
info@krohne.de

The current list of all KROHNE contacts and addresses can be found at:
www.krohne.com

KROHNE