



## OPTIMASS 1000 Technical Datasheet

Sensor for mass flow

- First choice for universal applications
- Best price-performance ratio
- A wide range of options available with no restrictions



The documentation is only complete when used in combination with the relevant documentation for the signal converter.

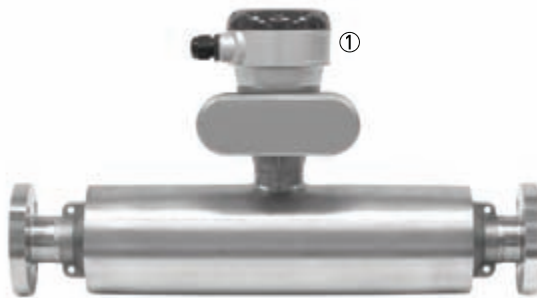
1	Product features	3
<hr/>		
1.1	Overview.....	3
1.2	Features and options.....	5
1.3	Meter / converter combinations.....	6
1.4	Measuring principle (twin tube) .....	6
2	Technical data	8
<hr/>		
2.1	Technical data.....	8
2.2	Measuring accuracy .....	14
2.3	Guidelines for maximum operating pressure.....	15
2.4	Dimensions and weights .....	17
2.4.1	Flanged versions .....	17
2.4.2	Hygienic versions .....	21
2.4.3	Heating jacket version .....	25
2.4.4	Purge port option .....	26
3	Installation	27
<hr/>		
3.1	Intended use .....	27
3.2	Mounting restrictions .....	27
3.2.1	General installation principles .....	27
3.2.2	Sunshades.....	29
3.2.3	Maximum pipework forces (end loadings) .....	30

## 1.1 Overview

The OPTIMASS 1000 is the cost effective solution for accurate measurement for a variety of applications. The OPTIMASS 1000 reliably measures massflow, density, volume, temperature, volume concentration or solid content.



- ① Comprehensive diagnostic capabilities.
- ② Standard flange and hygienic process connections available.
- ③ Twin straight measuring tubes plus secondary containment available.
- ④ Standard electronics for all sensors with redundant storage of calibration and sensor data.
- ⑤ Modular electronics with a range of output options (see separate documentation for details).



- ① Remote terminal box

**Highlights**

- Innovative twin measuring tubes
- Easily drained and easy to clean
- Resistant to installation and process effects
- Long working life.
- Optimised flow divider for minimum pressure loss.
- High levels of accuracy means an excellent price / performance ratio.
- Modular electronics with data redundancy - "plug & play" replacement of electronics

**Industries**

- Water & wastewater
- Chemical
- Food & beverage
- Paper & pulp
- Petrochemical industry
- Pharmaceutical industry

**Applications**

- Suitable for all standard applications up to 130°C
- Hygienic connections make it ideal for food / beverage applications.

## 1.2 Features and options

### Features



- Available as compact or remote.
- Low pressure loss, guarantees a low pressure drop across the meter.
- Self Draining.
- Easy to clean.

### Connection options



- A range of flanges up to ASME 600 / PN100.
- Supports a wide range of industry standard hygienic connections.
- Adaptable to suit customer's hygienic connections.

### Heating jacket & purge port



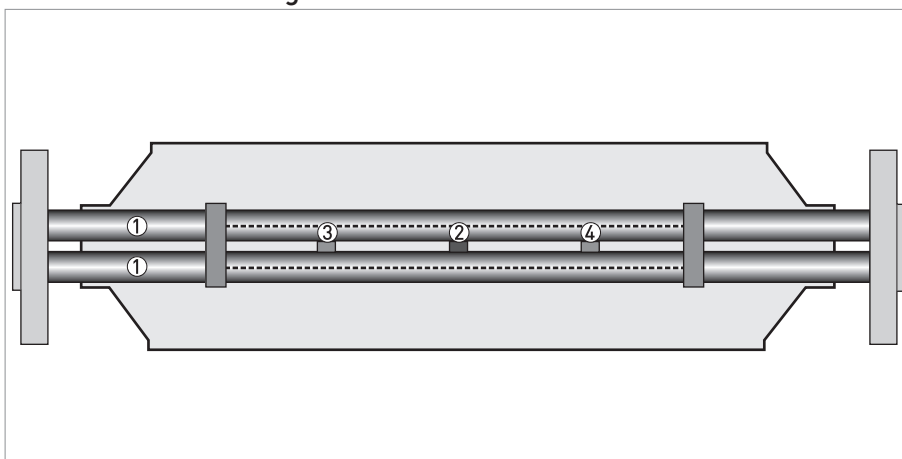
- Heating jacket option for use with temperature dependant products.
- Prevents solidification of process product.
- Purge port option for protection in the event of measuring tube failure.
- Allows hazardous chemicals to be drained away safely.
- Can also be used for the early detection of measuring tube failure where highly toxic chemicals are being measured.

### 1.3 Meter / converter combinations

Converter	MFC 010	MFC 300			
Configuration	Compact	Compact	Remote field	Remote wall	Remote rack
OPTIMASS 1000	1010C	1300C	1300F	1300W	1300R

### 1.4 Measuring principle (twin tube)

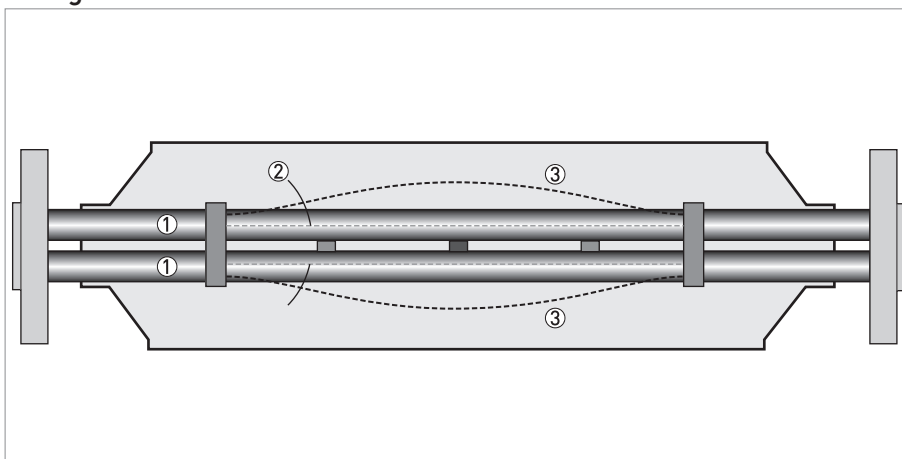
Static meter not energised and with no flow



- ① Measuring tubes
- ② Drive coil
- ③ Sensor 1
- ④ Sensor 2

A Coriolis twin tube mass flowmeter consists of two measuring tubes ① a drive coil ② and two sensors (③ and ④) that are positioned either side of the drive coil.

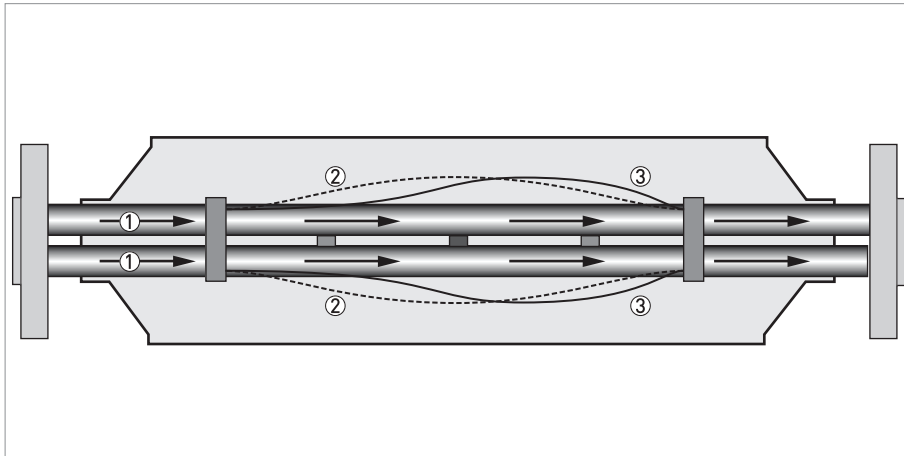
Energised meter



- ① Measuring tubes
- ② Direction of oscillation
- ③ Sine wave

When the meter is energised, the drive coil vibrates the measuring tubes causing them to oscillate and produce a sine wave ③. The sine wave is monitored by the two sensors.

### Energised meter with process flow



- ① Process flow
- ② Sine wave
- ③ Phase shift

When a fluid or gas passes through the tubes, the coriolis effect causes a phase shift in the sine wave that is detected by the two sensors. This phase shift is directly proportional to the mass flow.

Density measurement is made by evaluation of the frequency of vibration and temperature measurement is made using a Pt500 sensor.

## 2.1 Technical data

- *The following data is provided for general applications. If you require data that is more relevant to your specific application, please contact us or your local representative.*
- *Additional information (certificates, special tools, software,...) and complete product documentation can be downloaded free of charge from the website (Download Center).*

### Measuring system

Measuring principle	Coriolis mass flow
Application range	Mass flow and density measurement of fluids, gases and solids
Measured values	Mass, density, temperature
Calculated values	Volume, referred density, concentration, velocity

### Design

Basic	System consists of a measuring sensor and a converter to process the output signal
Features	Fully welded maintenance free sensor with twin straight measuring tubes
<b>Variants</b>	
Compact version	Integral converter
Remote version	Available with field, wall or 19" rack mount versions of the converter
Modbus version	Sensor with integral electronics providing Modbus output for connection to a PLC

### Measuring accuracy

<b>Mass</b>	
Liquid	$\pm 0.15\%$ of actual measured flow rate + zero stability
Gas	$\pm 0.5\%$ of actual measured flow rate + zero stability
Repeatability	Better than 0.05% plus zero stability (includes the combined effects of repeatability, linearity and hysteresis)
<b>Zero stability</b>	
Stainless Steel	$\pm 0.01\%$ of maximum flow rate with respective sensor size
<b>Reference conditions</b>	
Product	Water
Temperature	20°C / 68°F
Operating pressure	1 barg / 14.5 psig
<b>Effect on sensor zero point caused by a shift in process temperature</b>	
Stainless Steel	0.001% per 1°C / 0.00055% per 1°F
<b>Effect on sensor zero point caused by a shift in process pressure</b>	
Stainless Steel	0.00012% of the max flow rate per 1 bar <sub>rel.</sub> / 0.0000083% of the max flow rate per 1 psig
<b>Density</b>	
Measuring range	400...2500 kg/m <sup>3</sup> / 25...155 lbs/ft <sup>3</sup>
Accuracy	$\pm 2$ kg/m <sup>3</sup> / $\pm 0.13$ lbs/ft <sup>3</sup> (S15: $\pm 5$ kg/m <sup>3</sup> / $\pm 0.33$ lbs/ft <sup>3</sup> )
On site calibration	$\pm 0.5$ kg/m <sup>3</sup> / $\pm 0.033$ lbs/ft <sup>3</sup>



<b>Temperature</b>	
Accuracy	±1°C / 1.8°F

### Operating conditions

<b>Maximum flow rates</b>	
S15	6500 kg/h / 240 lbs/min
S25	27000 kg/h / 990 lbs/min
S40	80000 kg/h / 2935 lbs/min
S50	170000 kg/h / 6235 lbs/min
<b>Ambient temperature</b>	
Compact version with Aluminium converter	-40...+60°C / -40...+140°F
	Extended temperature range: +65°C / +149°F for some I/O options. For more information contact manufacturer.
Compact version with Stainless Steel converter	-40...+55°C / -40...+130°F
Remote versions	-40...+65°C / -40...+149°F
<b>Process temperature</b>	
Flanged connection	-40...+130°C / -40...+266°F
Hygienic connection	-40...+130°C / -40...+266°F
<b>Nominal pressure at 20°C / 68°F</b>	
<b>Measuring tube</b>	
Stainless Steel	-1...100 barg / -14.5...1450 psig
<b>Outer cylinder</b>	
Non PED / CRN approved	Typical burst pressure > 100 barg / 1450 psig at 20°C
PED / CRN approved secondary containment	-1...63 barg / -14.5...910 psig
PED approved secondary containment	-1...100 barg / -14.5...1450 psig
<b>Fluid properties</b>	
Permissible physical condition	Liquids, gases, slurries
Permissible gas content (volume)	Contact manufacturer for information
Permissible solid content (volume)	Contact manufacturer for information
Protection category (acc. to EN 60529)	IP 67, NEMA 4X

### Installation conditions

Inlet runs	None required
Outlet runs	None required

### Materials

Measuring tube	Stainless Steel UNS S31803 (1.4462)
Spigot	Stainless Steel 316 / 316L (CF3M / 1.4409) dual certified
Flanges	Stainless Steel 316 / 316L (1.4401 / 1.4404) dual certified
Outer cylinder	Stainless Steel 304 / 304L (1.4301 / 1.4307) dual certified
	Optional Stainless Steel 316 / 316L (1.4401 / 1.4404) dual certified
<b>Heating jacket version</b>	
Heating jacket	Stainless Steel 316L (1.4404)
	The outer cylinder is in contact with the heating medium

All versions	
Sensor electronics housing	Stainless Steel 316L (1.4409)
Junction box (remote version)	Die cast Aluminium (polyurethane coating)
	Optional Stainless Steel 316 (1.4401)

### Process connections

Flange	
DIN	DN15...80 / PN40...100
ASME	½...3" / ASME 150...600
JIS	15...80A / 10...20K
Hygienic	
Tri-clover	1...3"
Tri-clamp DIN 32676	DN25...80
Tri-clamp ISO 2852	1...3"
DIN 11864-2 Form A	DN25...80
Male thread DIN 11851	DN25...80
Male thread SMS	1...3"
Male thread IDF / ISS	1...3"
Male thread RJT	1...3"

### Electrical connections

Electrical connections	For full details, including: power supply, power consumption etc., see technical data for the relevant converter
I/O	For full details of I/O options, including data streams and protocols, see technical data for the relevant converter

### Approvals and certifications

Mechanical	
Electromagnetic compatibility (EMC) acc. to CE	Namur NE 21/5.95
	89/336/EEC (EMC)
	72/73/EEC (Low Voltage Directive)
European Pressure Equipment Directive	PED 97-23 EC (acc. to AD 2000 Regelwerk)
Factory Mutual / CSA	Class I, Div 1 groups A, B, C, D
	Class II, Div 1 groups E, F, G
	Class III, Div 1 hazardous areas
	Class I, Div 2 groups A, B, C, D
	Class II, Div 2 groups F, G
	Class III, Div 2 hazardous areas
ANSI / CSA (Dual Seal)	12.27.901-2003
Hygienic	3A 28-03

<b>ATEX (acc. 94/9/EC)</b>	
<b>OPTIMASS 1300C non Ex i Signal outputs without heating jacket / insulation</b>	
Ex d connection compartment	II 2 G Ex d [ib] IIC T4....T1
	Optional: II 2 G Ex d [ib] IIC T6....T1
	II 2 D Ex tD A21 IP6x T185°C
	Optional: II 2 D Ex tD A21 IP6x T160°C
Ex e connection compartment	II 2 G Ex de [ib] IIC T4....T1
	Optional: II 2 G Ex de [ib] IIC T6....T1
	II 2 D Ex tD A21 IP6x T185°C
	Optional: II 2 D Ex tD A21 IP6x T160°C
<b>OPTIMASS 1300C non Ex i signal outputs with heating jacket / insulation</b>	
Ex d connection compartment	II 2 G Ex d [ib] IIC T4....T1
	Optional: II 2 G Ex d [ib] IIC T6....T1
	II 2 D Ex tD A21 IP6x T195°C
	Optional: II 2 D Ex tD A21 IP6x T165°C
Ex e connection compartment	II 2 G Ex de [ib] IIC T4....T1
	Optional: II 2 G Ex de [ib] IIC T6....T1
	II 2 D Ex tD A21 IP6x T195°C
	Optional: II 2 D Ex tD A21 IP6x T165°C
<b>OPTIMASS 1300C Ex i signal outputs without heating jacket / insulation</b>	
Ex d connection compartment	II 2(1) G Ex d [ia/ib] IIC T4....T1
	Optional: II 2(1) G Ex d [ia/ib] IIC T6....T1
	II 2(1) D Ex tD [iaD] A21 IP6x T185°C
	Optional: II 2(1) D Ex tD [iaD] A21 IP6x T160°C
Ex e connection compartment	II 2(1) G Ex de [ia/ib] IIC T4....T1
	Optional: II 2(1) G Ex de [ia/ib] IIC T6....T1
	II 2(1) D Ex tD [iaD] A21 IP6x T185°C
	Optional: II 2(1) D Ex tD [iaD] A21 IP6x T160°C
<b>OPTIMASS 1300C Ex i signal outputs with heating jacket / insulation</b>	
Ex d connection compartment	II 2(1) G Ex d [ia/ib] IIC T4....T1
	Optional: II 2(1) G Ex d [ia/ib] IIC T6....T1
	II 2(1) D Ex tD [iaD] A21 IP6x T195°C
	Optional: II 2(1) D Ex tD [iaD] A21 IP6x T165°C
Ex e connection compartment	II 2(1) G Ex de [ia/ib] IIC T4....T1
	Optional: II 2(1) G Ex de [ia/ib] IIC T6....T1
	II 2(1) D Ex tD [iaD] A21 IP6x T195°C
	Optional: II 2(1) D Ex tD [iaD] A21 IP6x T165°C
OPTIMASS 1000 / 1010C without heating / insulation	II 2 G Ex ib IIC T4...T1
	Optional: II 2 G Ex ib IIC T6...T1
	II 2 D Ex ibD 21 T175 °C
	Optional: II 2 D Ex ibD 21 T165 °C

OPTIMASS 1000 / 1010C with heating / insulation	II 2 G Ex ib IIC T4...T1
	Optional: II 2 G Ex ib IIC T6...T1
	II 2 D Ex ibD 21 T175 °C
	Optional: II 2 D Ex ibD 21 T165 °C

## ATEX (acc. 94/9/EC) temperature limits (standard)

	Ambient temp. Tamb °C	Max. medium temp. Tm °C	Temp. class	Max. surface temp. °C
OPTIMASS 1000 / 1010C - with or without heating jacket / insulation	65	89	T4	T130
		130	T3 - T1	T175
OPTIMASS 1300C - aluminium converter housing - no heating jacket / insulation	50	70	T4	T130
		130	T3 - T1	T185
	60	60	T4 - T1	T125
	65 ①	65	T4 - T1	T130
OPTIMASS 1300C - aluminium converter housing - heating jacket / insulation	40	65	T4	T130
		130	T3 - T1	T195
	50	65	T4	T130
		100	T3 - T1	T165
	60	60	T4 - T1	T125
65 ①	65	T4 - T1	T130	
OPTIMASS 1300C - SS converter housing - no heating jacket / insulation	50	70	T4	T130
		130	T3 - T1	T185
	55	55	T4 - T1	T120
OPTIMASS 1300C - SS converter housing - heating jacket / insulation	40	65	T4	T130
		120	T3 - T1	T185
	50	65	T4	T130
		75	T3 - T1	T140
	55	55	T4 - T1	T120

① depending on I/O option. Please call for more information.

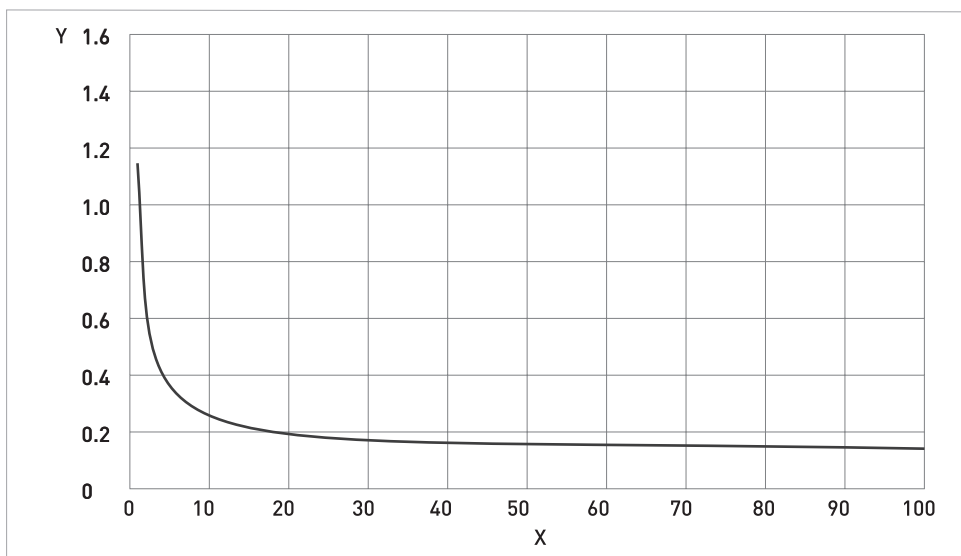
## ATEX (acc. 94/9/EC) temperature limits (T6)

	Ambient temp. Tamb °C	Max. medium temp. Tm °C	Temp. class	Max. surface temp. °C
OPTIMASS 1000 / 1010C T6 - with or without heating jacket / insulation	40	45	T6	T80
		60	T5	T95
		95	T4	T130
		130	T3 - T1	T165
	50	60	T5	T95
		95	T4	T130
		130	T3 - T1	T165
	65	95	T4	T130
		130	T3 - T1	T165

	Ambient temp. Tamb °C	Max. medium temp. Tm °C	Temp. class	Max. surface temp. °C	
OPTIMASS 1300C T6 - aluminium converter housing - no heating jacket / insulation	40	45	T6	T80	
		60	T5	T95	
		100	T4	T130	
		130	T3 - T1	T155	
	50	60	T5	T95	
		100	T4	T130	
		130	T3 - T1	T160	
	60	60	T4 - T1	T95	
	65 ①	65	T4 - T1	T100	
	OPTIMASS 1300C T6 - aluminium converter housing - heating jacket / insulation	40	45	T6	T80
60			T5	T95	
95			T4	T130	
130			T3 - T1	T165	
50		60	T5	T95	
		95	T4	T130	
		100	T3 - T1	T135	
60		60	T4 - T1	T95	
65 ①		65	T4 - T1	T100	
OPTIMASS 1300C T6 - Stainless Steel converter housing - no heating jacket / insulation		40	45	T6	T80
	60		T5	T95	
	100		T4	T130	
	130		T3 - T1	T155	
	50	60	T5	T95	
		100	T4	T130	
		130	T3 - T1	T160	
	55	55	T4 - T1	T95	
	OPTIMASS 1300C T6 - Stainless Steel converter housing - heating jacket / insulation	40	45	T6	T80
			60	T5	T95
95			T4	T130	
120			T3 - T1	T155	
50		60	T5	T95	
		75	T4 - T1	T110	
55		55	T4 - T1	T130	

① depending on I/O option. Please call for more information.

## 2.2 Measuring accuracy



X flow rate [%]  
 Y measuring error [%]

### Measuring error

The measuring error is obtained from the combined effects of accuracy and zero stability.

### Reference conditions

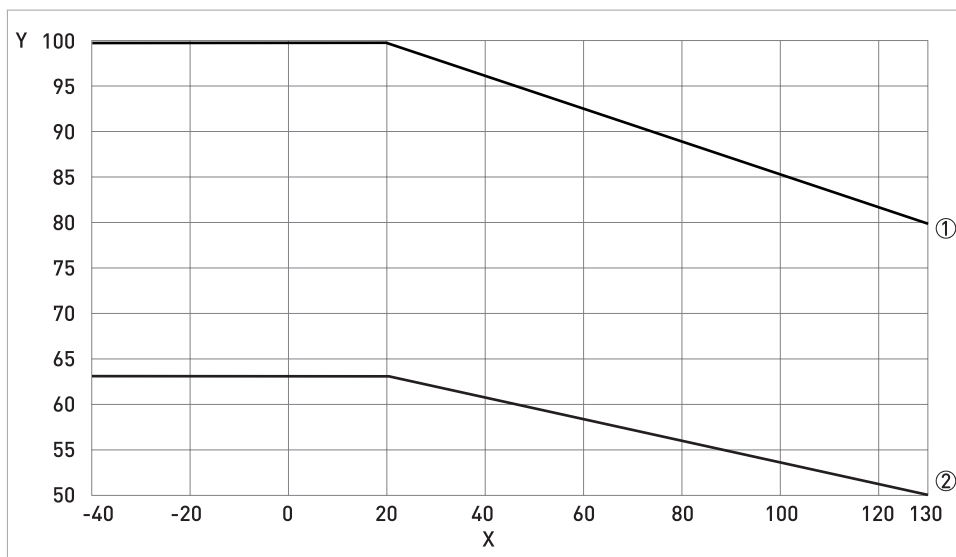
Product	Water
Temperature	+20°C / +68°F
Operating pressure	1 barg / 14.5 psig

## 2.3 Guidelines for maximum operating pressure

### Notes:

- Ensure that the meter is used within its operating limits
- All hygienic process connections have a maximum operating rating of 10 barg at 130°C / 145 psig at 266°F

### Pressure / temperature de-rating, all meter sizes, in metric (flanged connections as per EN 1092-1)

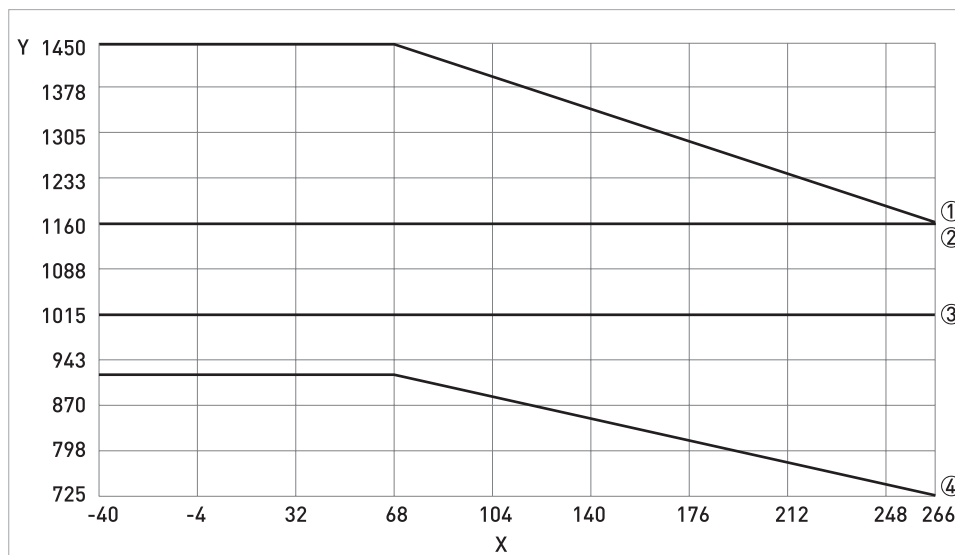


X temperature [°C]

Y pressure [barg]

- ① Measuring tubes and 100barg 316L secondary containment (PED)  
 ② 63 barg 304L / 316 secondary containment (PED)

### Pressure / temperature de-rating, all meter sizes, in imperial (flanged connections as per ASME B16.5)



X temperature [°F]

Y pressure [psig]

- ① Measuring tubes S15 / S25 (CRN)
- ② Measuring tubes S40 (CRN)
- ③ Measuring tubes S50 (CRN)
- ④ Secondary containment 304L / 316L (CRN)

#### Flanges

- DIN flange ratings are based on EN 1092-1 2001 table 18 (1% proof stress) material group 14EO
- ASME flange ratings are based on ASME B16.5 2003 table 2 material group 2.2
- JIS flange ratings are based on JIS 2220: 2001 table 1 division 1 material group 022a

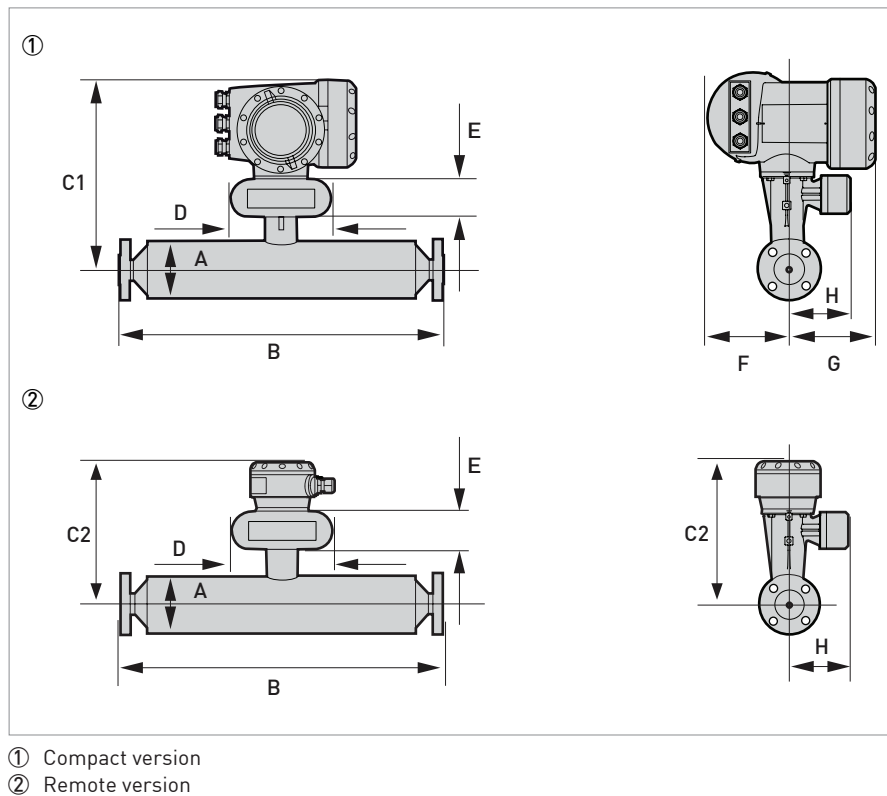
#### Notes

- The maximum operating pressure will be either the flange rating or the measuring tube rating, **WHICHEVER IS THE LOWER!**
- The manufacturer recommends that the seals are replaced at regular intervals. This will maintain the hygienic integrity of the connection.



## 2.4 Dimensions and weights

### 2.4.1 Flanged versions



### Meter weights (all flanges)

	Weight [kg]			
	S15	S25	S40	S50
Aluminium (compact)	13.5	16.5	29.5	57.5
Stainless Steel (compact)	18.8	21.8	34.8	62.8
Aluminium (remote)	11.5	14.5	25.5	51.5
Stainless Steel (remote)	12.4	15.4	26.4	52.4

	Weight [lbs]			
	S15	S25	S40	S50
Aluminium (compact)	30	36.3	65	127
Stainless Steel (compact)	41	48	77	138
Aluminium (remote)	25	32	56	113
Stainless Steel (remote)	27	33.8	58	115

## Measuring tube in Stainless Steel

	Dimensions [mm]			
	S15	S25	S40	S50
A	101.6	114.3	168.3	219.1
C1 (compact)	311	317	344	370
C2 (remote)	231	237	264	290
D	160			
E	60			
F	123.5			
G	137			
H	98.5			

	Dimensions [inches]			
	S15	S25	S40	S50
A	4	4.5	6.6	8.6
C1 (compact)	12.2	12.5	13.5	14.6
C2 (remote)	9	9.3	10.4	11.4
D	6.3			
E	2.4			
F	4.9			
G	5.4			
H	3.9			

## Flange connections

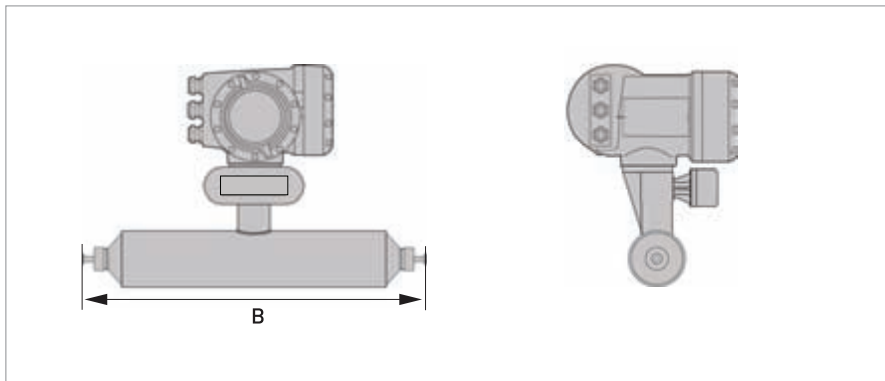
	Dimension B [mm]			
	S15	S25	S40	S50
<b>PN40</b>				
DN15	498	-	-	-
DN25	503	531	-	-
DN40	513	541	706	-
DN50	-	547	712	862
DN80	-	-	732	882
DN100	-	-	-	896
<b>PN63</b>				
DN50	-	-	740	890
DN80	-	-	-	910
<b>PN100</b>				
DN15	513	-	-	-
DN25	538	567	-	-
DN40	-	575	740	-
DN50	-	-	752	902
DN80	-	-	-	922

ASME 150				
½"	518	-	-	-
¾"	528	-	-	-
1"	534	563	-	-
1½"	-	575	740	-
2"	-	579	744	894
3"	-	-	756	906
4"	-	-	-	920
ASME 300				
½"	528	-	-	-
¾"	538	-	-	-
1"	546	575	-	-
1½"	-	589	754	-
2"	-	-	756	906
3"	-	-	-	926
ASME 600				
½"	541	-	-	-
¾"	550	-	-	-
1"	558	589	-	-
1½"	-	603	770	-
2"	-	-	774	926
3"	-	-	-	944
JIS 10K				
50A	-	-	712	862
80A	-	-	-	882
JIS 20K				
15A	498	-	-	-
25A	503	531	-	-
40A	-	541	706	-
50A	-	-	712	862
80A	-	-	-	882

	Dimension B [inches]			
	S15	S25	S40	S50
PN40				
DN15	19.6	-	-	-
DN25	19.8	21	-	-
DN40	20.2	21.3	27.8	-
DN50	-	21.5	28	33.9
DN80	-	-	28.8	34.7
DN100	-	-	-	35.3

<b>PN63</b>				
DN50	-	-	29	35
DN80	-	-	-	35.8
<b>PN100</b>				
DN15	20.2	-	-	-
DN25	21.2	22.3	-	-
DN40	-	22.6	29	-
DN50	-	-	29.6	35.5
DN80	-	-	-	36.3
<b>ASME 150</b>				
½"	20.4	-	-	-
¾"	20.8	-	-	-
1"	21	22.2	-	-
1½"	-	22.5	29.1	-
2"	-	22.8	29.3	35.2
3"	-	-	29.8	35.7
4"	-	-	-	36.2
<b>ASME 300</b>				
½"	20.8	-	-	-
¾"	21.2	-	-	-
1"	21.5	22.6	-	-
1½"	-	23.2	29.7	-
2"	-	-	29.8	35.7
3"	-	-	-	36.4
<b>ASME 600</b>				
½"	21.3	-	-	-
¾"	21.6	-	-	-
1"	22	23.2	-	-
1½"	-	23.7	30.3	-
2"	-	-	30.5	36.4
3"	-	-	-	37.2
<b>JIS 10K</b>				
50A	-	-	28	33.9
80A	-	-	-	34.7
<b>JIS 20K</b>				
15A	19.6	-	-	-
25A	19.8	20.9	-	-
40A	-	21.3	27.8	-
50A	-	-	28	33.9
80A	-	-	-	34.7

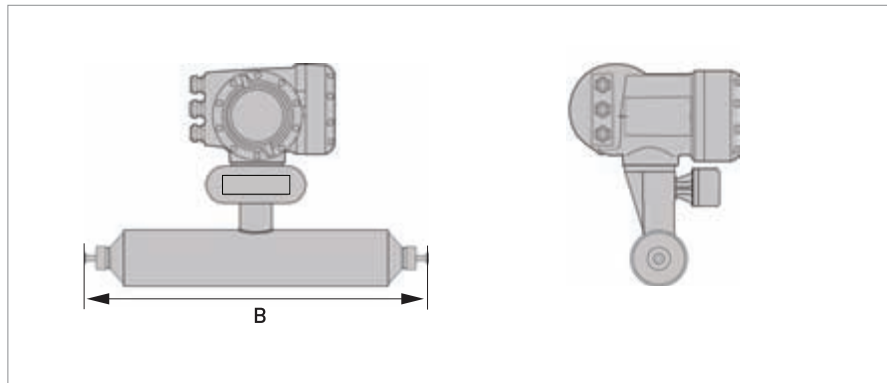
## 2.4.2 Hygienic versions



## Hygienic connections: all welded versions

	Dimension B [mm]			
	S15	S25	S40	S50
<b>Tri-clover</b>				
1"	487	-	-	-
1½"	-	534	-	-
2"	-	-	691	-
3"	-	-	-	832
<b>Tri-clamp DIN 32676</b>				
DN10	-	-	-	-
DN15	-	-	-	-
DN25	468	-	-	-
DN40	-	515	-	-
DN50	-	-	677	-
DN80	-	-	-	836
<b>Tri-clamp ISO 2852</b>				
1"	473	-	-	-
1½"	-	502	-	-
2"	-	-	667	-
3"	-	-	-	817
<b>DIN 11864-2 form A</b>				
DN25	505	-	-	-
DN40	-	562	-	-
DN50	-	-	724	-
DN80	-	-	-	896

	Dimension B [inches]			
	S15	S25	S40	S50
<b>Tri-clover</b>				
1"	19.2	-	-	-
1½"	-	21	-	-
2"	-	-	27.2	-
3"	-	-	-	32.7
<b>Tri-clamp DIN 32676</b>				
DN10	-	-	-	-
DN15	-	-	-	-
DN25	18.4	-	-	-
DN40	-	20.3	-	-
DN50	-	-	26.6	-
DN80	-	-	-	32.9
<b>Tri-clamp ISO 2852</b>				
1"	18.6	-	-	-
1½"	-	19.8	-	-
2"	-	-	26.3	-
3"	-	-	-	32.2
<b>DIN 11864-2 form A</b>				
DN25	19.9	-	-	-
DN40	-	22.2	-	-
DN50	-	-	28.5	-
DN80	-	-	-	35.3



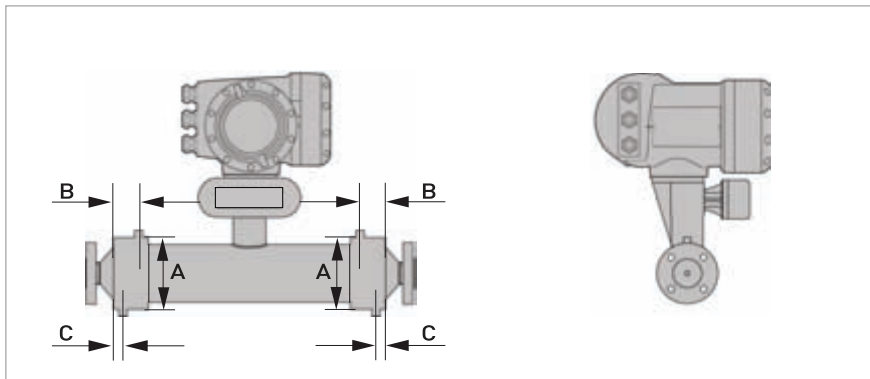
### Hygienic connections: adapter versions (male thread)

	Dimension B [mm]			
	S15	S25	S40	S50
<b>Male thread DIN 11851</b>				
DN25	483	-	-	-
DN40	-	538	-	-
DN50	-	-	704	-
DN80	-	-	-	870
<b>Male thread SMS</b>				
1"	474	-	-	-
1½"	-	537	-	-
2"	-	-	694	-
3"	-	-	-	837
<b>Male thread IDF/ISS</b>				
1"	487	-	-	-
1½"	-	534	-	-
2"	-	-	691	-
3"	-	-	-	832
<b>Male thread RJT</b>				
1"	498	-	-	-
1½"	-	545	-	-
2"	-	-	702	-
3"	-	-	-	843

	Dimension B [inches]			
	S15	S25	S40	S50
<b>Male thread DIN 11851</b>				
DN25	19	-	-	-
DN40	-	21.2	-	-
DN50	-	-	27.7	-
DN80	-	-	-	34.2
<b>Male thread SMS</b>				
1"	18.7	-	-	-
1½"	-	21.1	-	-
2"	-	-	27.3	-
3"	-	-	-	32.9
<b>Male thread IDF/ISS</b>				
1"	19.2	-	-	-
1½"	-	21	-	-
2"	-	-	27.2	-
3"	-	-	-	32.7
<b>Male thread RJT</b>				
1"	19.6	-	-	-
1½"	-	21.4	-	-
2"	-	-	27.6	-
3"	-	-	-	33.2



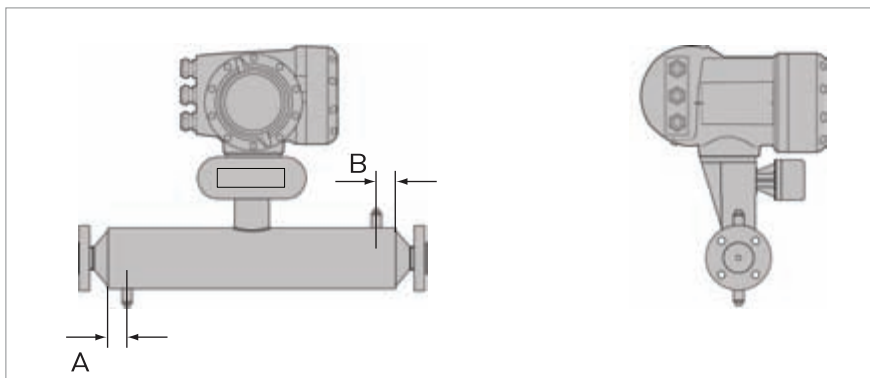
## 2.4.3 Heating jacket version



	Dimensions [mm]			
	S15	S25	S40	S50
Heating connection size	12 mm (ERMETO)			25
A	115 ±1	142 ±1	206 ±1	254 ±1
B	51	55	90	105
C	20			26

	Dimensions [inches]			
	S15	S25	S40	S50
Heating connection size	½" (NPTF)			1
A	4.5 ±0.04	5.6 ±0.04	8.1 ±0.04	10 ±0.04
B	2.0	2.2	3.5	4.1
C	0.8			1.0

2.4.4 Purge port option



	Dimensions [mm]			
	S15	S25	S40	S50
A	55 ±1.0		65 ±1.0	
B	55 ±1.0		65 ±1.0	

	Dimensions [inches]			
	S15	S25	S40	S50
A	2.2 ±0.04		2.5 ±0.04	
B	2.2 ±0.04		2.5 ±0.04	

## 3.1 Intended use

This mass flowmeter is designed for the direct measurement of mass flow rate, product density and product temperature. Indirectly, it also enables the measurement of parameters like total mass, concentration of dissolved substances and the volume flow. For use in hazardous areas, special codes and regulations are also applicable and these are specified in a separate documentation.

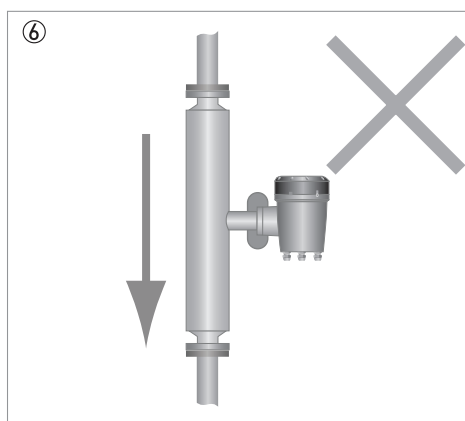
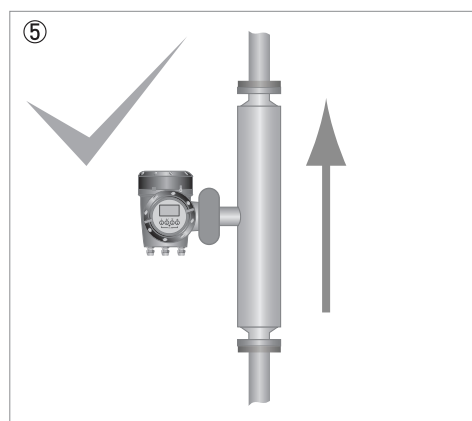
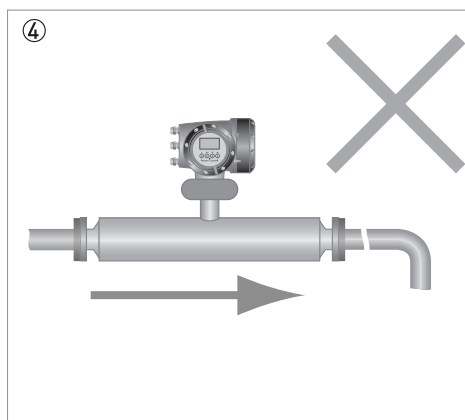
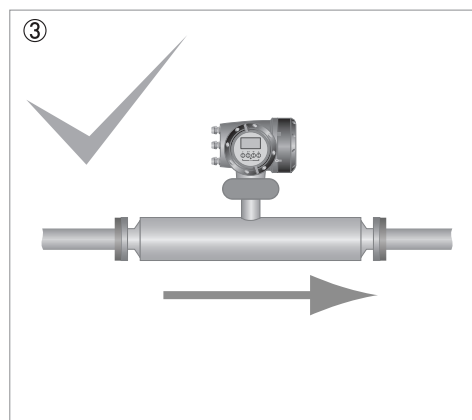
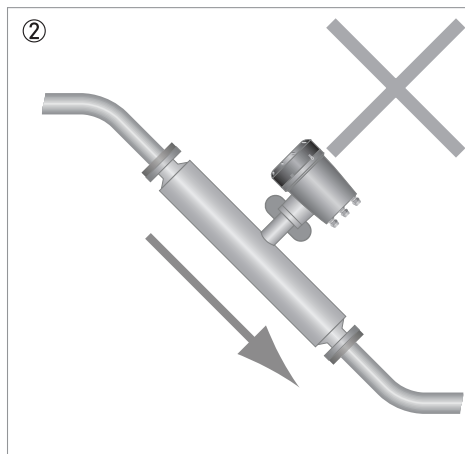
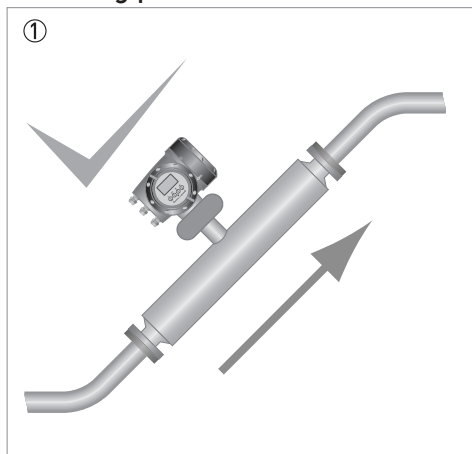
## 3.2 Mounting restrictions

### 3.2.1 General installation principles

**There are no special installation requirements but you should note the following points:**

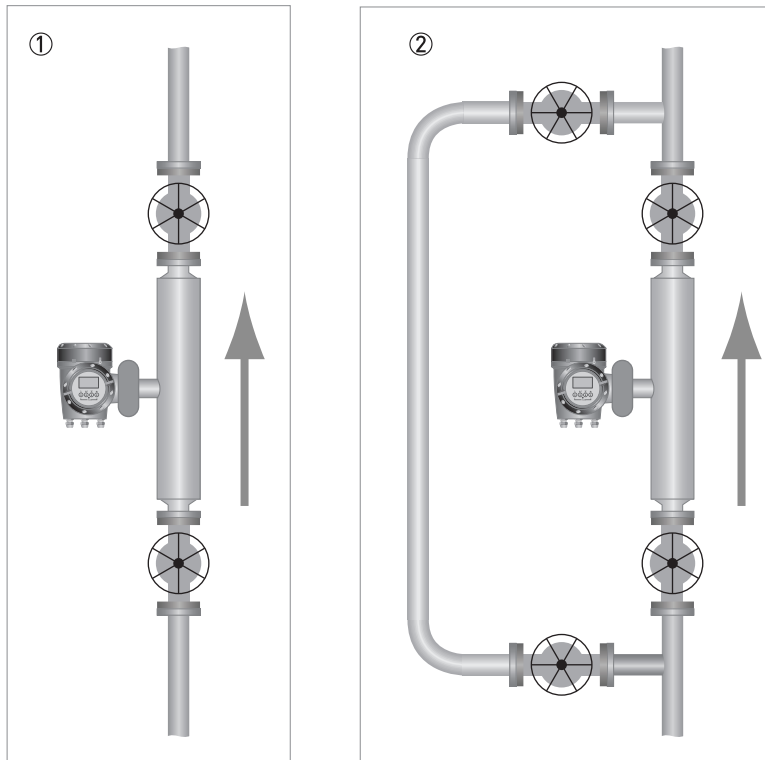
- Support the weight of the meter.
- The meter can be supported on the sensor body.
- On larger meter sizes and hygienic connections, it is strongly recommended that the meter is not supported solely by the process pipework.
- No straight runs are required.
- The use of reducers and other fittings at flanges, including flexible hoses, is allowed but you should take care to avoid cavitation.
- Avoid extreme pipe size reductions.
- Meters are not affected by crosstalk and can be mounted in series or in parallel.
- Avoid mounting the meter at the highest point in the pipeline where air / gas can collect.

## Mounting positions



- ① The meter can be mounted at an angle but it is recommended that the flow is uphill.
- ② Avoid mounting the meter with the flow running downhill because it can cause siphoning. If the meter has to be mounted with the flow running downhill, install an orifice plate or control valve downstream of the meter to maintain backpressure.
- ③ Horizontal mounting with flow running left to right.
- ④ Avoid mounting meter with long vertical runs after the meter as it can cause cavitation. Where the installation includes a vertical run after the meter, install an orifice plate or control valve downstream to maintain backpressure.
- ⑤ The meter can be mounted vertically but it is recommended that the flow is uphill.
- ⑥ Avoid mounting the meter vertically with the flow running downhill. This can cause siphoning. If the meter has to be installed this way, install an orifice plate or control valve downstream to maintain backpressure.

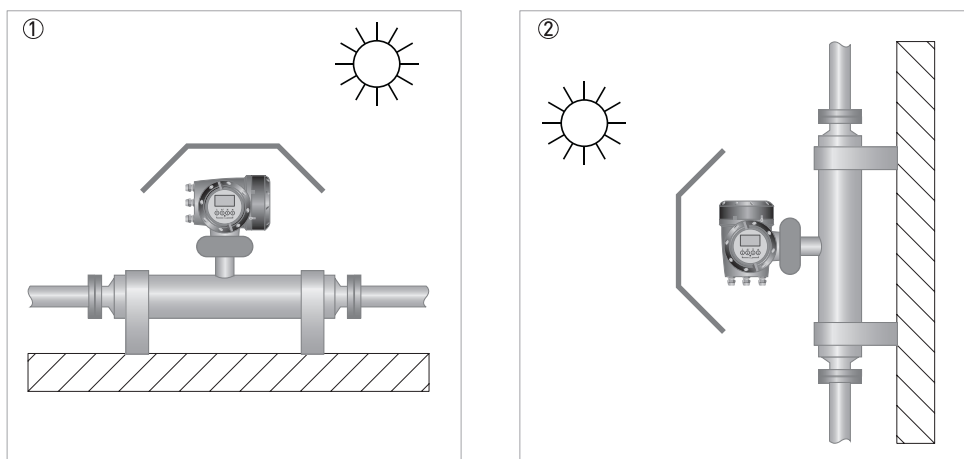
### Zero calibration



- ① Where the meter has been installed vertically, install shut-off valves either side of the meter to assist with zero calibration.
- ② If the process flow cannot be stopped, install a bypass section for zero calibration.

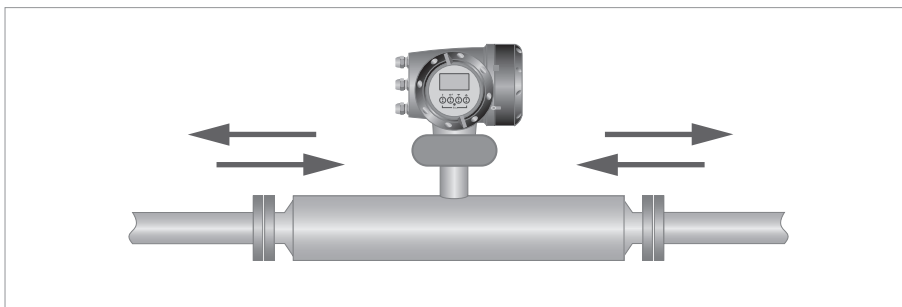
### 3.2.2 Sunshades

The meter **MUST** be protected from strong sunlight.



- ① Horizontal installation
- ② Vertical installation

### 3.2.3 Maximum pipework forces (end loadings)



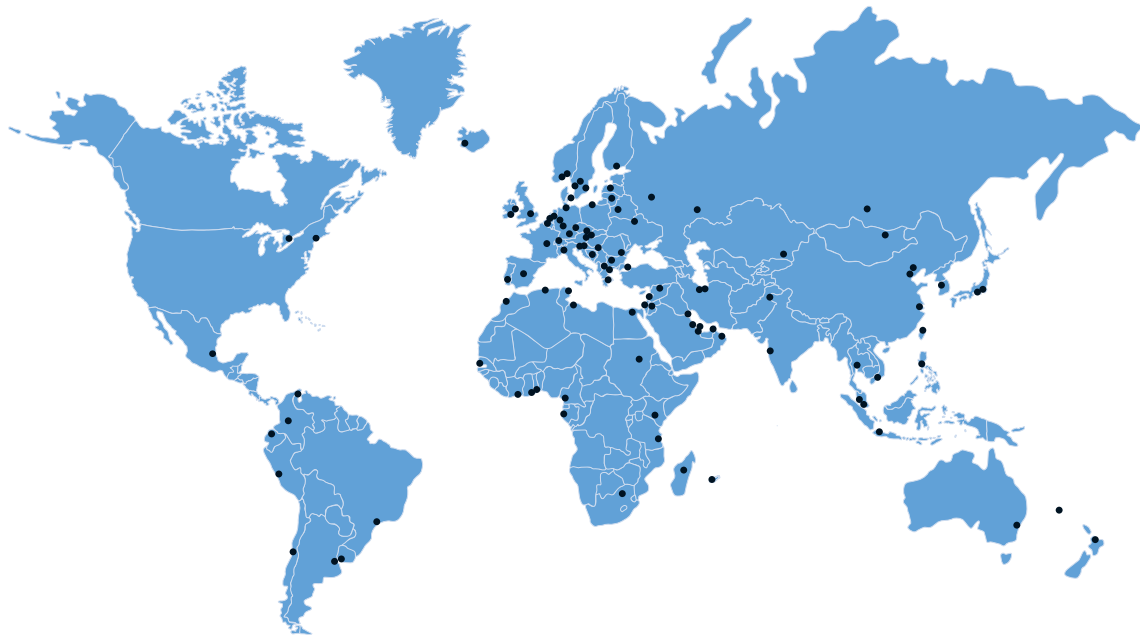
Mass flowmeters have a maximum level of force (negative or positive) that can be applied to the ends of the meter. Refer to the table below for permitted forces.

#### Maximum end loadings

		S15	S25	S40	S50
<b>Flanges</b>					
20°C	40 barg	25kN	38kN	48kN	99kN
	100 barg	17kN	19kN	15kN	20kN
130°C	32 barg	18kN	28kN	35kN	72kN
	80 barg	12kN	12kN	7kN	8kN
<b>Hygienic (all connections)</b>					
130°C	10 barg	5kN	9kN	12kN	12kN

- These (axial) loads have been calculated, based on 316L schedule 40 process pipework, where un-radiographed butt welds have been used in pipe joints.
- The loads shown are the maximum permitted static load. If loads are cycling (between tension and compression) these loads should be reduced. For advice, consult the manufacturer.





### KROHNE product overview

- Electromagnetic flowmeters
- Variable area flowmeters
- Ultrasonic flowmeters
- Mass flowmeters
- Vortex flowmeters
- Flow controllers
- Level meters
- Temperature meters
- Pressure meters
- Analysis products
- Measuring systems for the oil and gas industry
- Measuring systems for sea-going tankers

Head Office KROHNE Messtechnik GmbH  
Ludwig-Krohne-Str. 5  
D-47058 Duisburg (Germany)  
Tel.: +49 (0)203 301 0  
Fax: +49 (0)203 301 10389  
info@krohne.de

The current list of all KROHNE contacts and addresses can be found at:  
[www.krohne.com](http://www.krohne.com)

**KROHNE**