



## BM 26 W Technical Datasheet

### Magnetic Level Indicator with integrated Radar Level Meter

- Can easily be isolated from the process
- Two measurement principles in one device
- Autonomous local indication with an IP68 ingress protection rating

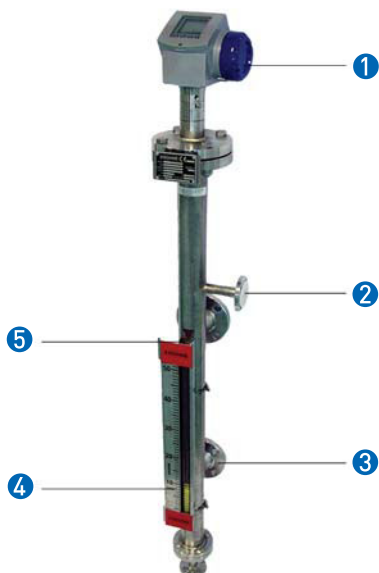


## The measurement solution with built-in redundancy

BM 26 W is based on proven bypass measurement technology. BM 26 W integrates the OPTIWAVE 7300 C FMCW Radar Level Meter for distance, level and volume measurement of liquids. It can measure level in a variety of difficult conditions: foam, agitated product surface and obstructed tank environments. It also indicates level using a permanent, IP 68 local indication without power supply.

For pressures from 40 to 120 bar / 580 to 1740 psig and temperatures from 200 to 300°C / 390 ... 570°F, we recommend our BM 26A bypass level indicator. For pressures more than 120 bar / 1740 psig and temperatures higher than 300°C / 570°F, we recommend our BW 25 displacer-type level indicator.

For further information on the integrated radar level meter, please refer to the Technical Datasheet for the OPTIWAVE 7300 C.



- ① 2-wire radar level meter
- ② Option: drains and vents
- ③ Option: side or inline process connection at the bottom of the chamber
- ④ Magnetically-coupled level indicator
- ⑤ Accessory: limit switches

### Highlights

- Configured system - easy to measure
- Redundant measurement system
- Ideal for tanks with obstructed environments
- PACTware and DTMs included as standard
- Optional second current output
- Optional limit switches
- Optional approval for EEx i or EEx d applications
- Removable housing under process conditions

### Industries

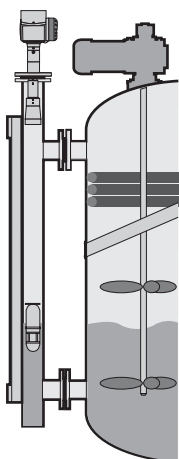
- Oil & Gas
- Petrochemicals
- Power
- Water

### Applications

- Process and storage tanks
- Steam crackers
- Boilers

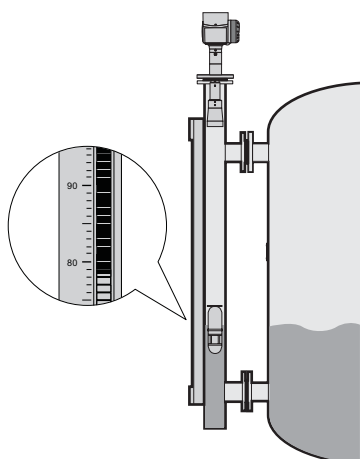
## Applications

### 1. Measurement of liquids in tanks with obstructed environments



If the tank is full of obstructions such as agitators and reinforcements, we recommend the **BM 26 W** bypass level indicator. It can also measure accurately in agitated conditions and in the presence of foam.

### 2. Redundant local indication without power supply



The **BM 26 W** has a float and indicating tube for indicating level on a highly visible column of yellow and black rotating flaps. No power is needed. It is also possible to fit limit switches, if you choose this option. Ex approval is optional.

## Technical Data

### Input

Device	Magnetic level indicator with integrated radar level meter
Function 1	K-band FMCW radar
Function 2	Float magnetically coupled to mechanical level indicator
Parameter	Level, distance, volume and reflectivity
Measuring range	0.5...6 m / 1.6...20 ft

### Output

Output signal (Output 1)	4...20 mA HART® or 3.8...20.5 mA acc. to NAMUR NE 43
Output signal (Output 2)	4...20 mA (no HART® signal) or 3.8...20.5 mA acc. to NAMUR NE 43 ①
Resolution	±3 µA
Temperature drift	Typically 50 ppm/K
Error signal	High: 22 mA; Low: 3.6 mA acc. to NAMUR NE 43

### Reference conditions acc. to EN 60770

Temperature	+20°C ±5°C / +70°F ±10°F
Pressure	1013 mbar abs. ±20 mbar / 14.69 psig ±0.29 psig
Relative air humidity	60% ±15%

### Accuracy

Radar level meter	
Resolution	1 mm / 0.04"
Repeatability	±1 mm / ±0.04"
Accuracy	±3 mm / ±0.12", when distance < 10 m / 33 ft
Magnetic level indicator	
Repeatability	±10mm / ±0.4"
Accuracy	±10mm / ±0.4"

### Process conditions

Ambient temperature	-40...+80°C / -40...+175°F (EEx i: see supplementary operating instructions or approval certificates)
Storage temperature	-40...+85°C / -40...+185°F
Process temperature	-40...+200°C / -40...+390°F (EEx i: see supplementary operating instructions or approval certificates)
Thermal shock resistance	100°C/min
Operating pressure	-1...40 bar / -14.5...580 psig; subject to process connection used and flange temperature
Vibration resistance	IEC 68-2-6 and EN 50178 (10...57 Hz: 0.075 mm / 57...150 Hz: 1g)
Product density	0.5...3 kg/l / 31...187 lb/ft³
Viscosity	≤5000 mPas / ≤3.360 lb/fts
Protection category	IP 66/67 equivalent to NEMA 6-6X

### Material

Transmitter	
Housing	Aluminium; Stainelss steel (1.4404 / 316 L) ①
Wetted parts	Stainless steel (1.4404 / 316 L)
Process fitting	Stainless steel (1.4404 / 316 L)
Gaskets	FKM/FPM (-40...+200°C / -40...+390°F); Kalrez® 6375 (-20...+200°C / -5...+390°F)
Weather protection (Option)	Stainless steel (1.4301 / 304)

Bypass chamber	
Chamber	Stainless steel (1.4404 / 316 L)
Float	Stainless steel (1.4404 / 316 L), Titanium
Gaskets	Klingerit (-196...+400°C / -320...+750°F) ②

**Process connections**

Flange	DN15...50 (PN40); ½"...2" (150 lb / 300 lb)
--------	---

**Drain and vent connections**

Drain	G 3/8; options: G 1/2; NPT 3/8, 1/2, 3/4; DN15, 25 (PN40); 1/2"...1" (150 lb / 300 lb)
Vent	DN25 (PN40); 1" (150 lb / 300 lb) ①

**Electrical connections**

Instrument terminal 1 - Non-Ex / EEx i	14...30 VDC ③
Instrument terminal 1 - EEx d	20...36 VDC ③
Instrument terminal 2 - Non-Ex/ EEx i/ EEx d	10...30 VDC ④
Cable entry	M20x1.5; NPT 1/2; G 1/2
Cable tightening capacity	0.5...1.5 mm²

**Human interface**

Display 1	9 lines, 160 x 160 pixels in 8-step greyscale with 4-button keypad
Display 2	Indicator column - magnetically-coupled, yellow/black rotating flaps
Operating languages	English and a 2nd language: German, French, Italian, Spanish, Portuguese, Japanese, Chinese (Mandarin) or Russian

**Design codes**

Conformity to pressure equipment directives	PED 97/23/EC
Pressure vessel construction code	CODAP® 2000
Optional codes	NACE MRO175 / ISO 15156

**Approvals**

ATEX	ATEX II G 1, 1/2, 2 EEx ia IIC T6...T3; ATEX II G 1/2, 2 EEx d[ia] IIC T6...T3 ⑤
------	--

**Variants, options and accessories**

Variants	C: two side connections;
	F: top side connection and bottom inline connection
Options	Integrated LCD display with sun cover;
	2nd current output;
	Indicator scale units - m+cm, ft+in or % ⑥
Accessories	Weather protection;
	Limit switches

- ① optional
- ② subject to process conditions
- ③ min/max. value for an output of 22 mA at the terminal
- ④ min/max. value for an output of 22 mA at the terminal (additional power supply needed - output only)
- ⑤ this is a set of approvals
- ⑥ volume graduation on request

## Technical data: optional level switches

	Standard (Non-Ex) switches					
Type code	MS20 STD/LC/PC/NN/BT	MS15 STD/LC/PC/NO/BT	MS15 STD/LC/AL/NN/HT	MS15 STD/LC/AL/NO/HT	MS15 STD/HC/PC/NN/BT	MS15 STD/HC/AL/NN/HT
Version	Low price, standard	NAMUR	High-temperature	NAMUR, high-temperature	High-power cut-out	High-power cut-out, high temperature

### Input

Device	Level switch mounted on the side of the BM 26 bypass chamber					
Function	Reed switch that is magnetically actuated by float in BM 26 bypass chamber					
Parameter	Level detection					
Switching capacity	30 VA; 0.5 A; 230 VAC	①	20 VA; 1.5 A; 250 VAC	①	3...100VA;1.5 A; 250 VAC	3...100VA;1.5 A; 250 VAC

### Accuracy

Hysteresis	Not applicable
------------	----------------

### Process conditions

Ambient temperature	-20...+120°C / -4...+250°F ②					
Process temperature	-40...+250°C / -40...+480°F	-40...+250°C / -40...+480°F	-40...+300°C / -40...+570°F	-40...+300°C / -40...+570°F	-40...+250°C / -40...+480°F	-40...+300°C / -40...+570°F
Protection category	IP 65 equivalent to NEMA 4-4X					

### Material

Switch housing	Polycarbonate	Polycarbonate	Aluminium	Aluminium	Polycarbonate	Aluminium
Bracket	Stainless steel					
Clamp	Stainless steel					

### Electrical connections

Cable entry	PG 9	PG 13.5	M20 x 1.5 ③	M20 x 1.5 ③	PG 13.5	M20 x 1.5 ③
-------------	------	---------	-------------	-------------	---------	-------------

① according to NAMUR 19234. Connect to a NAMUR amplifier.

② specify temperature if an insulation jacket is used

③ Optional: M25 x 1.5 or NPT $\frac{3}{4}$ . Cable fitting not supplied.

	Exi-approved switches			
Type code	MS20 EXI/LC/PC/NN/BT	MS15 EXI/LC/PC/NO/BT	MS15 EXI/LC/AL/NN/HT	MS15 EXI/LC/AL/NO/HT
Version	low price, standard	NAMUR	high-temperature	NAMUR, high-temperature

**Input**

Device	Level switch mounted on the side of the BM 26 bypass chamber			
Function	Reed switch that is magnetically actuated by float in BM 26 bypass chamber			
Parameter	Level detection			
Switching capacity	0.5 A ①	②	1.5 A ①	②

**Accuracy**

Hysteresis	Not applicable
------------	----------------

**Process conditions**

Ambient temperature	③			
Process temperature	③	③	③	③
Protection category	IP 65 equivalent to NEMA 4-4X			

**Material**

Switch housing	Polycarbonate	Polycarbonate	Aluminium	Aluminium
Bracket	Stainless steel			
Clamp	Stainless steel			

**Electrical connections**

Power supply characteristics	See supplementary operating instructions or approval certificates.			
Cable entry	PG 9	PG 13.5	M20 x 1.5 ④	M20 x 1.5 ④

**Approvals**

ATEX	ATEX II 1 G EEx ia IIC T3...T6
------	--------------------------------

- ① Only connect to a certified intrinsically-safe power supply. Safety values: see supplementary operating instructions or approval certificates.
- ② according to NAMUR 19234. Connect a NAMUR amplifier.
- ③ Dependant on temperature class: see supplementary operating instructions or approval certificates.
- ④ Optional: M25 x 1.5 or NPT $\frac{3}{4}$ . Cable fitting not supplied.

	Exd-approved switches		
Type code	MS15 EXD/LC/AL/NN/HT	MS15 EXD/LC/AL/NO/HT	MS15 EXD/HC/AL/NN/HT
Version	high-temperature	NAMUR, high-temperature	high-power cut-out, high-temperature

## Input

Device	Level switch mounted on the side of the BM 26 bypass chamber		
Function	Reed switch that is magnetically actuated by float in BM 26 bypass chamber		
Parameter	Level detection		
Switching capacity	20 VA; 1.5 A; 250 VAC	①	1.5 A ②

## Accuracy

Hysteresis	Not applicable		
------------	----------------	--	--

## Process conditions

Ambient temperature	③		
Process temperature	③	③	③
Protection category	IP 65 equivalent to NEMA 4-4X		

## Material

Switch housing	Aluminium	Aluminium	Aluminium
Bracket	Stainless steel		
Clamp	Stainless steel		

## Electrical connections

Cable entry	M20 x 1.5 ④	M20 x 1.5 ④	M20 x 1.5 ④
-------------	-------------	-------------	-------------

## Approvals

ATEX	ATEX II 1/2 G EEx d ia IIC T3...T6		
------	------------------------------------	--	--

① according to NAMUR 19234. Connect a NAMUR amplifier.

② Only connect to a certified intrinsically-safe power supply. Safety values: see supplementary operating instructions or approval certificates.

③ Dependant on temperature class: see supplementary operating instructions or approval certificates.

④ Optional: M25 x 1.5 or NPT $\frac{3}{4}$ . Cable fitting not supplied.



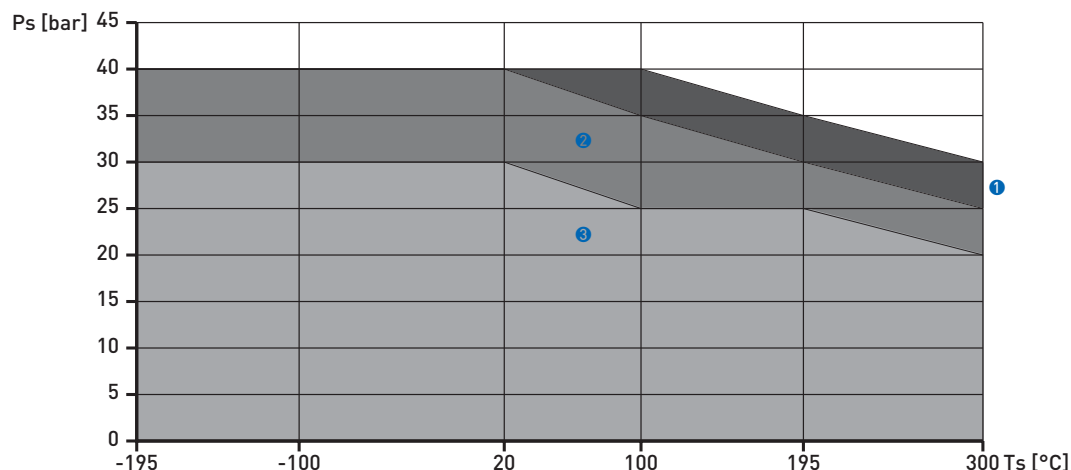
## Guidelines for maximum operating pressure

### Note:

Ensure that meters are used within their operating limits. Observe the following requirements.

Flanged connections for BM 26 chamber according to EN 1092-1:

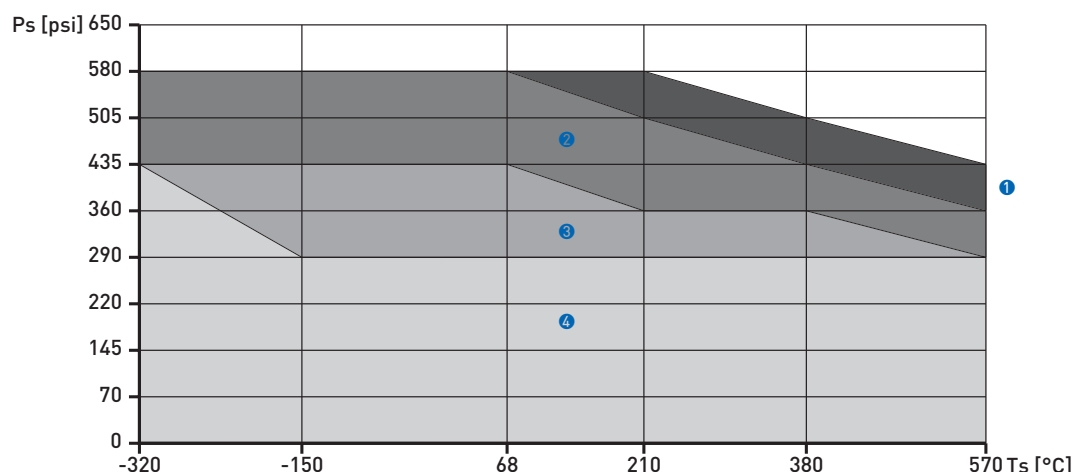
Pressure / temperature de-rating for 316 L (1.4404) stainless steel meters



- ① Loose and Welding Neck PN40 flanges for sizes DN15 and DN20
- ② Loose and Welding Neck PN40 flange for size DN25
- ③ Loose and Welding Neck PN40 flanges for sizes DN40 and DN50

Flanged connections for BM 26 chamber according to ASME:

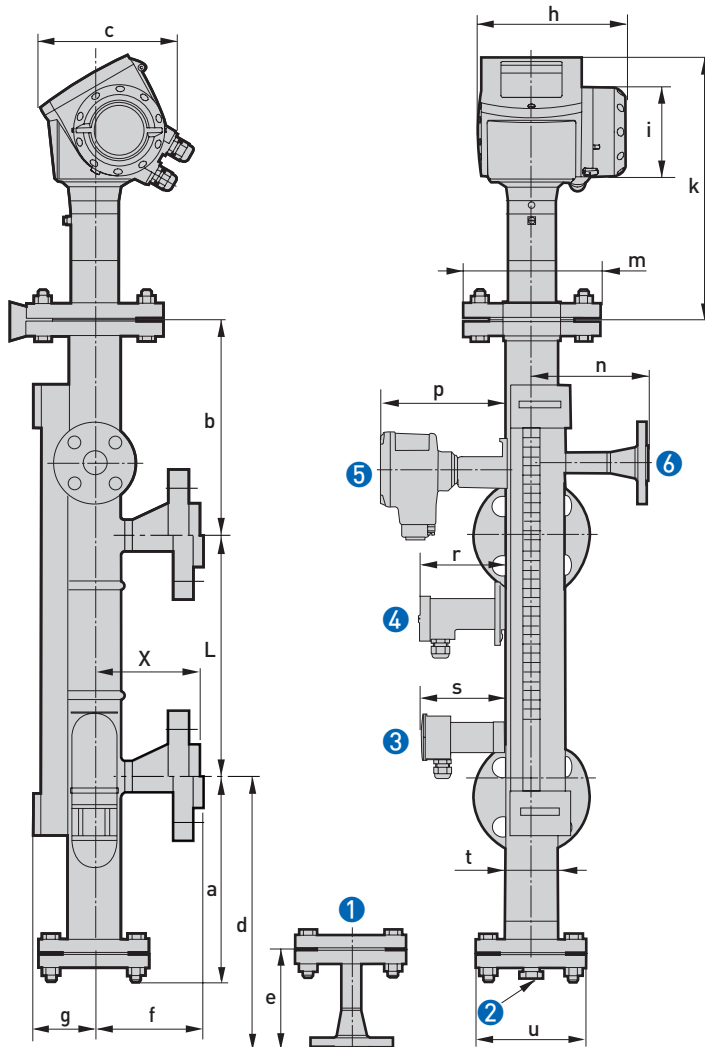
Pressure / temperature de-rating for 316 L (1.4404) stainless steel meters



- ① ASME 300 lb flanges for sizes 1/2" and 3/4"
- ② ASME 300 lb flange for size 1"
- ③ ASME 300 lb flanges for sizes 1 1/2" and 2"
- ④ ASME 150 lb flanges for sizes 1/2", 3/4", 1, 1 1/2", and 2"

## Dimensions and Weights

Variant C: two side process connections



- ① Optional drain with welding neck flange connection
- ② Optional drain with G or NPT plug
- ③ Optional MS20 limit switch
- ④ Optional MS15 limit switch for low-temperature applications
- ⑤ Optional MS15 Exd limit switch for high-temperature and Ex d applications
- ⑥ Optional vent with welding neck flange connection

### Note:

- Cable glands are delivered on demand with non-Ex, EEx i- and EEx d-approved devices.
- Non-Ex and EEx i fittings are plastic and EEx d fittings are metallic. Non-Ex fittings are black and EEx i fittings are blue.
- The diameter of the outer sheath of the cable must be 6...12 mm or 0.2...0.5".

Dimensions in mm

	Dimensions [mm]																		
	a	b	c	d	e	f	X	g	h	i	k	L	m	n	p	r	s	t	u
Bypass chamber C ①	165	260	217	295 ②	116	115	③	72	180	∅ 109	305	500 ... 6000	∅16 5	140 ④	146 ⑤	100 ⑥	98 ⑦	∅72 x 2.3	∅ 130

- ① with two side process connections
- ② with optional drain (welding neck flange)
- ③ welding neck flanges: refer to "Process connection length, X" table at the end of this section
- ④ with optional vent
- ⑤ with optional MS15 limit switch for high-temperature and Ex d applications
- ⑥ with optional MS15 limit switch for low-temperature applications
- ⑦ with optional MS20 limit switch

Dimensions in inches

	Dimensions [inches]																		
	a	b	c	d	e	f	X	g	h	i	k	L	m	n	p	r	s	t	u
Bypass chamber C ①	6.5	10.2	8.5	11.6 ②	4.6	4.5	③	2.8	7.0	∅4. 3	12.0	20 ... 236	∅6. 5	5.5 ④	5.7 ⑤	4.0 ⑥	3.9 ⑦	∅2. 8 x 0.09	∅5. 1

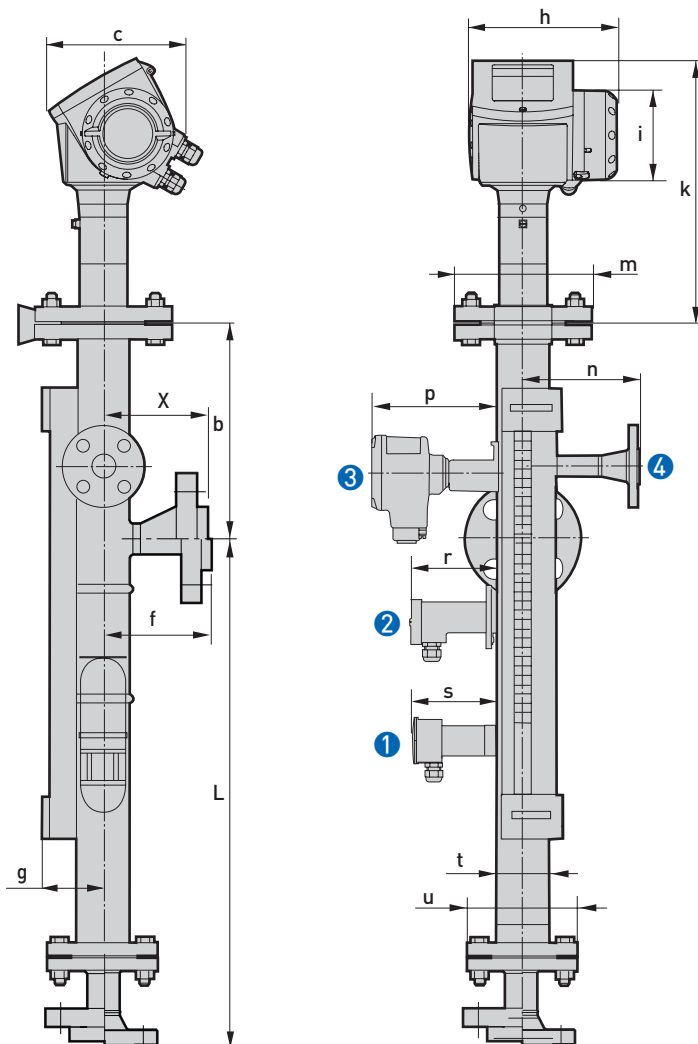
- ① with two side process connections
- ② with optional drain (welding neck flange)
- ③ welding neck flanges: refer to "Process connection length, X" table at the end of this section
- ④ with optional vent
- ⑤ with optional MS15 limit switch for high-temperature applications
- ⑥ with optional MS15 limit switch for low-temperature applications
- ⑦ with optional MS20 limit switch

Weight in kg and lbs

Converter and chamber	Weight when L=1000 mm	Weight when L=40 inches	Weight for every additional 100 mm	Weight for every additional 4 inches
Chamber type	[kg]	[lbs]	[kg]	[lbs]
Bypass chamber	23.9	52.7	0.5	1.1
MS15 BT limit switch ①	0.13	0.3	-	-
MS15 HT limit switch ②	1.2	2.6	-	-
MS20 limit switch	0.086	0.2	-	-

- ① for low-temperature applications
- ② for high-temperature applications

Variant F: top side and bottom inline process connections



- ① Optional MS20 limit switch
- ② Optional MS15 limit switch for low-temperature applications
- ③ Optional MS15 limit switch for high-temperature or Ex d applications
- ④ Optional vent with welding neck flange connection

Note:

- Cable glands are delivered on demand with non-Ex, EEx i- and EEx d-approved devices.
- Non-Ex and EEx i fittings are plastic and EEx d fittings are metallic. Non-Ex fittings are black and EEx i fittings are blue.
- The diameter of the outer sheath of the cable must be 6...12 mm or 0.2...0.5".

Dimensions in mm

	Dimensions [mm]															
	b	c	f	X	g	h	i	k	L	m	n	p	r	s	t	u
Bypass chamber F ①	260	165	115	②	72	180	∅ 109	305	500 ... 6000	∅165	140 ③	146 ④	100 ⑤	98 ⑥	∅72 x 2.3	∅ 130

- ① with top side and bottom in-line process connections
- ② welding neck flanges: refer to "Process connection length, X" table at the end of this section
- ③ with optional vent (welding neck flange)
- ④ with optional MS15 limit switch for high-temperature and Ex d applications
- ⑤ with optional MS15 limit switch for low-temperature applications
- ⑥ with optional MS20 limit switch

Dimensions in inches

	Dimensions [inches]															
	b	c	f	X	g	h	i	k	L	m	n	p	r	s	t	u
Bypass chamber F ①	10.2	6.5	4.5	②	2.8	7.0	∅4.3	12.0	20 ... 236	∅6.5	5.5 ③	5.7 ④	4.0 ⑤	3.9 ⑥	∅2.8 x 0.09	∅5.1

- ① with top side and bottom in-line process connections
- ② welding neck flanges: refer to "Process connection length, X" table at the end of this section
- ③ with optional vent (welding neck flange)
- ④ with optional MS15 limit switch for high-temperature and Ex d applications
- ⑤ with optional MS15 limit switch for low-temperature applications
- ⑥ with optional MS20 limit switch

Weight in kg and lbs

Converter and chamber	Weight when L=1000 mm	Weight when L=40 inches	Weight for every additional 100 mm	Weight for every additional 4 inches
Chamber type	[kg]	[lbs]	[kg]	[lbs]
Bypass chamber	23.9	52.7	0.5	1.1
MS15 BT limit switch ①	0.13	0.3	-	-
MS15 HT limit switch ②	1.2	2.6	-	-
MS20 limit switch	0.086	0.2	-	-

- ① for low-temperature applications
- ② for high-temperature applications

Tables for process connection length, X

Process connection length, X, in mm (EN welding neck flanges)

Nominal size	Pressure rating	Process connection length, X
DN	PN	[mm]
15	40	79.5
20	40	81.5
25	40	81.5
40	40	86.5
50	40	89.5

Process connection length, X, in inches (EN welding neck flanges)

Nominal size	Pressure rating	Process connection length, X
DN	PN	[inches]
15	40	3.13
20	40	3.21
25	40	3.21
40	40	3.41
50	40	3.52

Process connection length, X, in mm (ASME welding neck flanges)

Nominal size	Pressure rating	Process connection length, X
ASME		[mm]
½"	150LB	89.5
¾"	150LB	93.5
1"	150LB	97.5
1½"	150LB	103.5
2"	150LB	104.5
½"	300LB	93.5
¾"	300LB	98.5
1"	300LB	103.5
1½"	300LB	109.5
2"	300LB	111.5

Process connection length, X, in inches (ASME welding neck flanges)

Nominal size	Pressure rating	Process connection length, X
ASME		[inches]
½"	150LB	3.52
¾"	150LB	3.84
1"	150LB	4.07
1½"	150LB	4.11
2"	150LB	3.68
½"	300LB	3.68
¾"	300LB	3.88
1"	300LB	4.07
1½"	300LB	4.31
2"	300LB	4.39

## KROHNE Product Overview

- Electromagnetic flowmeters
- Variable area flowmeters
- Mass flowmeters
- Ultrasonic flowmeters
- Vortex flowmeters
- Flow controllers
- Level measuring instruments
- Pressure gauges
- Temperature measuring instruments
- Water solutions & analysis
- Oil and gas turnkey solutions

### Addresses:

#### Germany

##### Northern sales office

KROHNE Messtechnik GmbH & Co. KG  
Bremer Str. 133  
D-21073 Hamburg  
Phone: +49 (0)40 767 3340  
Fax: +49 (0)40 767 33412  
nord@krohne.de  
ZIP code: 10000 - 29999, 49000 - 49999

##### Western and middle sales office

KROHNE Messtechnik GmbH & Co. KG  
Ludwig-Krohne-Straße  
D-47058 Duisburg  
Phone: +49 (0)203 301 416  
Fax: +49 (0)203 301 10416  
west@krohne.de  
ZIP code: 30000 - 34999, 37000 - 48000, 50000 - 53999, 57000 - 59999, 98000 - 99999

##### Southern sales office

KROHNE Messtechnik GmbH & Co. KG  
Landsberger Str. 392  
D-81241 Munich  
Phone: +49 (0)89 121 5620  
Fax: +49 (0)89 129 6190  
sued@krohne.de  
ZIP code: 0 - 9999, 80000 - 89999, 90000 - 97999

##### Southwestern sales office

KROHNE Messtechnik GmbH & Co. KG  
Rüdesheimer Str. 40  
D-65239 Hochheim/Main  
Phone: +49(0)6146) 827 30  
Fax: +49 (0)6146 827 312  
rhein-main@krohne.de  
ZIP code: 35000 - 36999, 54000 - 56999, 60000 - 79999

##### Instrumentation and control equipment catalog

TABLAR Messtechnik GmbH  
Ludwig-Krohne-Straße 5  
D-47058 Duisburg  
Phone: +49 (0)2 03 305 880  
Fax: +49 (0)2 03 305 8888  
kontakt@tablar.de www.tablar.de

#### KROHNE sales companies

##### International

###### Australia

KROHNE Australia Pty Ltd  
Quantum Business Park 10/287  
Victoria Rd Rydalmere NSW 2116  
Phone: +61 2 8846 1700  
Fax: +61 2 8846 1755  
krohne@krohne.com.au

###### Austria

KROHNE Austria Ges.m.b.H.  
Modecenterstraße 14  
A-1030 Vienna  
Phone: +43 (0)1/203 45 32  
Fax: +43 (0)1/203 47 78  
info@krohne.at

###### Belgium

KROHNE Belgium N.V.  
Brusselstraat 320  
B-1702 Groot Bijgaarden  
Phone: +32 (0)2 4 66 00 10  
Fax: +32 (0)2 4 66 08 00  
krohne@krohne.be

###### Brazil

KROHNE Conaut Controles Automaticos Ltda.  
Estrada Das Águas Espriaiadas, 230  
C.P. 56 06835 - 080 EMBU - SP  
Phone: +55 (0)11-4785-2700  
Fax: +55 (0)11 4785-2768  
conaut@conaut.com.br

###### China

KROHNE Measurement Instruments (Shanghai) Co. Ltd., (KMIC)  
Room 1501  
1033 Zhaojabang Road  
Shanghai 200030  
Phone: +86 21 6487 9611  
Fax: +86 21 6438 7110  
info@krohne-asia.com

###### Czech Republic

Sobiská 156  
63800 Brno  
Phone: +420 (0)545.242 627  
Fax: +420 (0)545 220 093  
brno@krohne.cz

###### France

KROHNE S.A.S.  
Les Ors BP 98  
F-26103 ROMANS Cedex  
Phone: +33 (0)4 75 05 44 00  
Fax: +33 (0)4 75 05 00 48  
info@krohne.fr

Great Britain  
KROHNE Ltd.  
Rutherford Drive  
Park Farm Industrial Estate  
Wellingborough  
Northants NN8 6AE  
Phone: +44 (0)19 33 408 500  
Fax: +44 (0)19 33 408 501  
info@krohne.co.uk

###### CIS

Kanex KROHNE Engineering AG  
Business-Centre Planeta  
Office 404 ul.  
Marxistskaja 3  
109147 Moscow/Russia  
Phone: +7 (0)095 911 7165  
Fax: +7 (0)095 742 8873  
krohne@dol.ru

###### India

Krohne Marshall Ltd.  
A-34/35, M.I.D.C. Industrial Area,  
H-Block  
Pimpri Poona 411018  
Phone: +91 (0)202 744 2020  
Fax: +91 (0)202 744 2020  
pcu@vsnl.net

###### Iran

KROHNE Liaison Office  
North Sohrvardi Ave. 26,  
Sarmad St., Apt. #9  
Tehran 15539  
Phone: +9821 8874 5973  
Fax: +9821 8850 1268  
krohne@krohneiran.com

###### Italy

KROHNE Italia Srl.  
Via V. Monti 75  
I-20145 Milan  
Phone: +39 02 4300 661  
Fax: +39 02 4300 6666  
info@krohne.it

###### Korea

KROHNE Korea  
Room 508 Miwon Bldg 43  
Yoido-Dong Youngdeungpo-Ku  
Seoul, Korea  
Phone: 00-82-2-782-1900  
Fax: 00-82-2-780-1749  
krohnekorea@krohnekorea.com

###### Netherlands

KROHNE Nederland B.V.  
Kerkeplaat 14  
NL-3313 LC Dordrecht  
Phone: +31 (0)78 630 6200  
Fax: +31 (0)78 630 6405  
Service Direct: +31 (0)78 630 6222  
info@krohne.nl

###### Norway

KROHNE Norway A.S.  
Ekholtveien 114  
NO-1521 Moss  
Phone: +47 (0)69 264 860  
Fax: +47 (0)69 267 333  
postmaster@krohne.no

###### Poland

KROHNE Polska Sp.z.o.o.  
ul. Stary Rynek Oliwski 8a  
80-324 Gdansk  
Phone: +48 (0)58 520 9211  
Fax: +48 (0)58 520 9212  
info@krohne.pl

###### Switzerland

KROHNE AG  
Uferstr. 90  
CH-4019 Basel  
Phone: +41 (0)61 638 30 30  
Fax: +41 (0)61 638 30 40  
info@krohne.ch

###### Singapore

Tokyo Keiso - KROHNE (Singapore) Pte. Ltd.  
14, International Business Park,  
Jurong East  
Chiyoda Building, #01-01/02  
Singapore 609922  
Phone: (65) 6567 4548  
Fax: (65) 6567 9874  
tks@tokyokeiso-krohne.com.sg

###### Republic of South Africa

KROHNE Pty. Ltd.  
Bushbuck Close  
Corporate Park South  
Midrand, Gauteng  
P.O. Box 2069  
Midrand, 1685  
Phone: +27 (0)11 314 1391  
Fax: +27 (0)11 314 1681  
midrand@krohne.co.za

###### Spain

I.I. KROHNE IBERIA, S.r.l.  
Poligono Industrial Nilo  
Calle Brasil, nº. 5  
28806 Alcalá de Henares Madrid  
Phone: +34 (0)91 883 2152  
Fax: +34 (0)91 883 4854  
krohne@krohne.es

###### USA

KROHNE, Inc.  
7 Dearborn Road  
Peabody, MA 01960  
Phone: +1 (800) FLOWING  
Phone: +1 (978) 535 6060 (in MA)  
info@krohne.com

#### Representatives

Algeria  
Argentina  
Cameroon  
Canada  
Chile  
Columbia  
Croatia  
Denmark  
Ecuador  
Egypt  
Finland  
Gabon  
Ghana  
Greece  
Hong Kong  
Hungary  
Indonesia  
Iran  
Ireland  
Israel  
Ivory Coast  
Japan  
Jordan  
Kuwait  
Libya  
Lithuania  
Malaysia  
Mauritius  
Mexico  
Morocco  
New Zealand  
Peru  
Portugal  
Romania  
Saudi Arabia  
Senegal  
Slovakia  
Slovenia  
Sweden  
Taiwan  
Thailand  
Tunisia  
Turkey  
Venezuela  
Yugostavia

#### Other countries

KROHNE Messtechnik GmbH & Co. KG  
Ludwig-Krohne-Str. 5  
D-47058 Duisburg  
Phone: +49 (0)203 301 0  
Fax: +49 (0)203 301 389  
export@krohne.de