



BM 26 F Technical Datasheet

Bypass Chamber with integrated Guided Radar (TDR) Level Meter

- Ideal for tanks with obstructed environments
- Measures level, interface, and level and interface
- Optional remote housing provides the user with an unrestricted view of the display screen

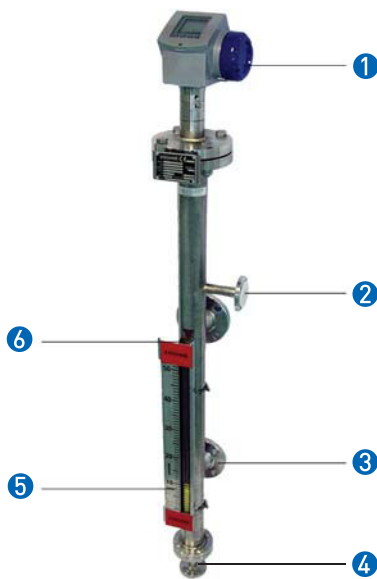


The solution for tanks with obstructed environments

BM 26 F is based on proven bypass measurement technology. It is capable of high precision measurement and is unaffected by foam, agitated product surface and obstructed tank environments. BM 26 F integrates the OPTIFLEX 1300 C Guided Radar (TDR) Level Meter for distance, level and volume measurement of liquids and liquid/liquid interface. It can also optionally indicate level using a permanent, IP68 local indication without power supply.

For pressures 40...120 bar / 580...1740 psig and temperatures 200...300°C / 390...570°F, we recommend using our BM 26A bypass level indicator. For pressures more than 120 bar / 1740 psig and temperatures higher than 300°C / 570°F, we recommend using our BW 25 displacer-type level indicator.

For further information on the integrated Guided Radar (TDR) level meter, please refer to the Technical Datasheet for the OPTIFLEX 1300 C.



- ① 2-wire guided-radar (TDR) level meter
- ② Option: vent
- ③ Option: side or inline process connection at bottom of chamber
- ④ Option: drain
- ⑤ Option: magnetically-coupled level indicator
- ⑥ Accessory: limit switches

Highlights

- Configured system - easy to measure
- Measurement independent of density
- Ideal for tanks with obstructed environments
- PACTware and DTMs included as standard
- Measures down to dielectric constant of 1.4
- Display in 9 languages: even in Chinese, Japanese and Russian
- Housing is removable under process conditions

Industries

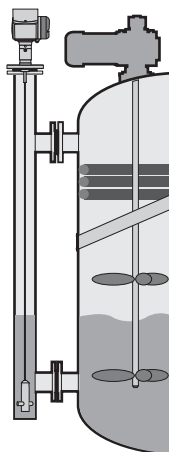
- Oil & Gas
- Petrochemicals
- Power
- Water

Applications

- Process and storage tanks
- Steam crackers
- Boilers
- Separators

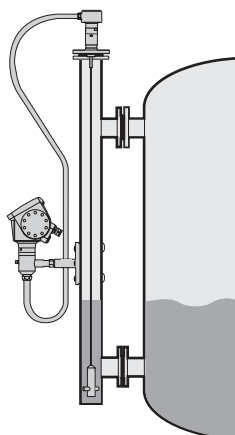
Applications

1. Measurement of liquids in tanks with obstructed environments



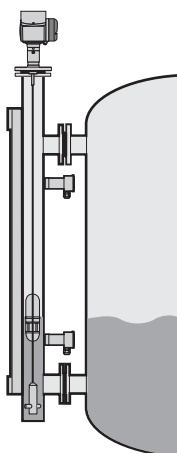
If the tank is full of obstructions such as agitators and reinforcements, we recommend using the [BM 26 F](#). It can also measure accurately in agitated conditions and in the presence of foam.

2. Remote display on high or inaccessible tanks



If it is difficult or impossible to read [BM 26 F](#)'s integrated display at the top of the tank, KROHNE recommends the remote display option. It is provided with a cable up to 14.5 m / 47.5 ft. long and a bracket for mounting in an accessible position.

3. Autonomous local indication



The [BM 26 F](#) has a float and indicating tube option for indicating level on a highly visible column of yellow/black rotating flaps. No power is needed. This option is not for the US market. It is also possible to fit limit switches, with optional Ex approval, if you choose the float system option.

Technical Data: general information

	BM 26 F standard	BM 26 F with float system
--	------------------	---------------------------

Input

Device	TDR level transmitter mounted on a bypass chamber	TDR level transmitter mounted on a bypass chamber with magnetic level indicator ①
Function 1	Time Domain Reflectometry (TDR)	
Function 2	-	Float magnetically coupled to mechanical level indicator
Parameter	Level, distance, volume and/or interface	
Max. measuring range		
Single Rod probe Ø8 mm / 0.3"	0.8...4 m / 2.5...13 ft	
Single Cable probe Ø4 mm / 0.15"	4...6 m / 13...20 ft ②	
Coaxial probe Ø21 mm / 0.8"	0.8...6 m / 2.5...20 ft ③	

Output

Output signal (Output 1)	4...20 mA HART® or 3.8...20.5 mA acc. to NAMUR NE 43	
Output signal (Output 2) ④	4...20 mA (no HART® signal) or 3.8...20.5 mA acc. to NAMUR NE 43	
Resolution	±3 µA	
Temperature drift	Typically 50 ppm/K	
Error signal	High: 22 mA; Low: 3.6 mA acc. to NAMUR NE 43	

Reference conditions acc. to EN 60770

Temperature	+20°C ±5°C / +70°F ±10°F
Pressure	1013 mbar abs. ±20 mbar / 14.69 psig ±0.29 psig
Relative air humidity	60% ±15%

Accuracy

Repeatability	±1 mm / ±0.04"	±10 mm / ±0.4"
Accuracy (in direct mode)		
Liquids	±3 mm / ±0.12"	±10 mm / ±0.4"
Interface	±10 mm / ±0.4" (ε _r constant)	±10 mm / ±0.4"
Minimum layer (interface)	50 mm / 2"	

Process conditions

Ambient temperature	-40...+80°C / -40...+175°F (EEx i: see supplementary operating instructions or approval certificates)	
Storage temperature	-40...+85°C / -40...+185°F	
Flange temperature	-40...+200°C / -40...+390°F (EEx i: see supplementary operating instructions or approval certificates)	
Thermal shock resistance	100°C/min	
Operating pressure	-1...40 bar / -14.5...580 psig; subject to process connection used and flange temperature	
Product density	-	0.5...3 kg/l / 31...187 lb/ft³
Product viscosity	-	≤5000 mPas / ≤3.360 lb/fts
Dielectric constant (ε _r)		
Level in direct mode	≥1.4	
Interface in direct mode	ε _r (interface) >> ε _r (level)²	
Vibration resistance	IEC 68-2-6 and EN 50178 (10...57 Hz: 0.075 mm / 57...150 Hz:1g)	
Protection category	IP 66/67 equivalent to NEMA 6-6X	

	BM 26 F standard	BM 26 F with float system
--	------------------	---------------------------

Material

Transmitter		
Housing	Aluminium; Stainless steel (1.4404 / 316 L) ④	
Probe: single rod	Stainless steel (1.4404 / 316 L); other materials on request	
Probe: single cable	Stainless steel (1.4401 / 316); other materials on request	
Probe: coaxial probe	Stainless steel (1.4404 / 316 L); other materials on request	
Process fitting	Stainless steel (1.4404 / 316 L)	
Gaskets	FKM/FPM (-40...+200°C / -40...+390°F); Kalrez® 6375 (-20...+200°C / -5...+390°F)	
Weather protection (Option)	Stainless steel (1.4301 / 304)	
Conduit for remote housing (Option)	Zinc-coated steel in a PVC sheath (-40...+105°C / -40...+220°F)	
Bypass chamber		
Chamber	Stainless steel (1.4404 / 316 L)	
Float (option)	-	Stainless steel (1.4404 / 316 L); Titanium
Indicator tube (option)	-	Pyrex glass
Scale (option)	-	Stainless steel (1.4404 / 316 L)
Gaskets	Klingerit (-196...+400°C / -320...+750°F) ⑤	

Process connections

Flange	DN15...50 (PN40); 1/2" ... 2" (150 lb / 300 lb)
--------	---

Drain and vent connections

Drain	G 3/8; options: G 1/2; NPT 3/8, 1/2, 3/4; DN15, 25 (PN40) 1/2" ... 1" (150 lb / 300 lb)
Vent	DN25 (PN40); 1" (150 lb / 300 lb) ④

Electrical connections

Instrument terminal 1 - Non-Ex / EEx i	14...30 VDC ⑥
Instrument terminal 1 - EEx d	20...36 VDC ⑥
Instrument terminal 2 - Non-Ex / EEx i / EEx d	10...30 VDC ⑦
Cable entry	M20x1.5; NPT 1/2; G 1/2
Cable tightening capacity	0.5...1.5 mm ²

User interface

Display1	9 lines, 160 x 160 pixels in 8-step greyscale with 4-button keypad	
Operating languages	English and a 2nd language: German, French, Italian, Spanish, Portuguese, Japanese, Chinese (Mandarin) or Russian	
Display 2	-	Indicator column - yellow/black rotating flaps, magnetically-coupled to float - with scale
Optional scale markings	-	m+cm; ft+in; %; volume units on request

	BM 26 F standard	BM 26 F with float system
--	-------------------------	----------------------------------

Design codes

Conformity to pressure equipment directives	PED 97/23/EC
Pressure vessel construction code	CODAP® 2000
Options	NACE MRO175 / ISO 15156

Approvals

ATEX	ATEX II 1, 1/2, 2 G EEx ia IIC T6...T3; ATEX II 1/2, 2 G EEx d[ia] IIC T6...T3
------	--

Variants, options and accessories

Variants	C: two side connections;	
	F: top side connection and bottom inline connection	
Options	Integrated LCD display with sun cover;	
	2nd current output;	
	Remote housing connected to the probe via a flexible conduit with a standard length of 2180 mm / 7 ft, 4720 mm / 15.5 ft, 9800 mm / 32 ft or 4880 mm / 48.5 ft ⑧	
	-	IP68 local indication ⑨
	-	Limit switches
Accessories	Weather protection	

① supplied on request. Contact KROHNE for price information.

② longer on request

③ for clean liquids and interface applications

④ optional

⑤ subject to process conditions

⑥ min./max. value for an output of 22 mA at the terminal

⑦ optional. Min./max. value for an output of 22 mA at the terminal (additional power supply needed - output only)

⑧ ATEX approval pending

⑨ column of rotating flaps magnetically coupled to float sliding on rod or cable probe. Contact KROHNE for price information. Not for the U.S. market.

Technical data: optional level switches

	Standard (Non-Ex) switches					
Type code	MS20 STD/LC/PC/NN/BT	MS15 STD/LC/PC/NO/BT	MS15 STD/LC/AL/NN/HT	MS15 STD/LC/AL/NO/HT	MS15 STD/HC/PC/NN/BT	MS15 STD/HC/AL/NN/HT
Version	Low price, standard	NAMUR	High-temperature	NAMUR, high-temperature	High-power cut-out	High-power cut-out, high temperature

Input

Device	Level switch mounted on the side of the BM 26 bypass chamber					
Function	Reed switch that is magnetically actuated by float in BM 26 bypass chamber					
Parameter	Level detection					
Switching capacity	30 VA; 0.5 A; 230 VAC	①	20 VA; 1.5 A; 250 VAC	①	3...100VA; 1.5 A; 250 VAC	3...100VA; 1.5 A; 250 VAC

Accuracy

Hysteresis	Not applicable
------------	----------------

Process conditions

Ambient temperature	-20...+120°C / -4...+250°F ②					
Process temperature	-40...+250°C / -40...+480°F	-40...+250°C / -40...+480°F	-40...+300°C / -40...+570°F	-40...+300°C / -40...+570°F	-40...+250°C / -40...+480°F	-40...+300°C / -40...+570°F
Protection category	IP 65 equivalent to NEMA 4-4X					

Material

Switch housing	Polycarbonate	Polycarbonate	Aluminium	Aluminium	Polycarbonate	Aluminium
Bracket	Stainless steel					
Clamp	Stainless steel					

Electrical connections

Cable entry	PG 9	PG 13.5	M20 x 1.5 ③	M20 x 1.5 ③	PG 13.5	M20 x 1.5 ③
-------------	------	---------	-------------	-------------	---------	-------------

① according to NAMUR 19234. Connect to a NAMUR amplifier.

② specify temperature if an insulation jacket is used

③ Optional: M25 x 1.5 or NPT $\frac{3}{4}$. Cable fitting not supplied.

Technical data: optional level switches

	Exi-approved switches			
Type code	MS20 EXI/LC/PC/NN/BT	MS15 EXI/LC/PC/NO/BT	MS15 EXI/LC/AL/NN/HT	MS15 EXI/LC/AL/NO/HT
Version	low price, standard	NAMUR	high-temperature	NAMUR, high-temperature

Input

Device	Level switch mounted on the side of the BM 26 bypass chamber			
Function	Reed switch that is magnetically actuated by float in BM 26 bypass chamber			
Parameter	Level detection			
Switching capacity	0.5 A ①	②	1.5 A ①	②

Accuracy

Hysteresis	Not applicable
------------	----------------

Process conditions

Ambient temperature	③			
Process temperature	③	③	③	③
Protection category	IP 65 equivalent to NEMA 4-4X			

Material

Switch housing	Polycarbonate	Polycarbonate	Aluminium	Aluminium
Bracket	Stainless steel			
Clamp	Stainless steel			

Electrical connections

Power supply characteristics	See supplementary operating instructions or approval certificates.			
Cable entry	PG 9	PG 13.5	M20 x 1.5 ④	M20 x 1.5 ④

Approvals

ATEX	ATEX II 1 G EEx ia IIC T3...T6
------	--------------------------------

- ① Only connect to a certified intrinsically-safe power supply. Safety values: see supplementary operating instructions or approval certificates.
- ② according to NAMUR 19234. Connect a NAMUR amplifier.
- ③ Dependant on temperature class: see supplementary operating instructions or approval certificates.
- ④ Optional: M25 x 1.5 or NPT $\frac{3}{4}$. Cable fitting not supplied.

Technical data: optional level switches

	Exd-approved switches		
Type code	MS15 EXD/LC/AL/NN/HT	MS15 EXD/LC/AL/NO/HT	MS15 EXD/HC/AL/NN/HT
Version	high-temperature	NAMUR, high-temperature	high-power cut-out, high-temperature

Input

Device	Level switch mounted on the side of the BM 26 bypass chamber		
Function	Reed switch that is magnetically actuated by float in BM 26 bypass chamber		
Parameter	Level detection		
Switching capacity	20 VA; 1.5 A; 250 VAC	①	1.5 A ②

Accuracy

Hysteresis	Not applicable
------------	----------------

Process conditions

Ambient temperature	③		
Process temperature	③	③	③
Protection category	IP 65 equivalent to NEMA 4-4X		

Material

Switch housing	Aluminium	Aluminium	Aluminium
Bracket	Stainless steel		
Clamp	Stainless steel		

Electrical connections

Cable entry	M20 x 1.5 ④	M20 x 1.5 ④	M20 x 1.5 ④
-------------	-------------	-------------	-------------

Approvals

ATEX	ATEX II 1/2 G EEx d ia IIC T3...T6
------	------------------------------------

① according to NAMUR 19234. Connect a NAMUR amplifier.

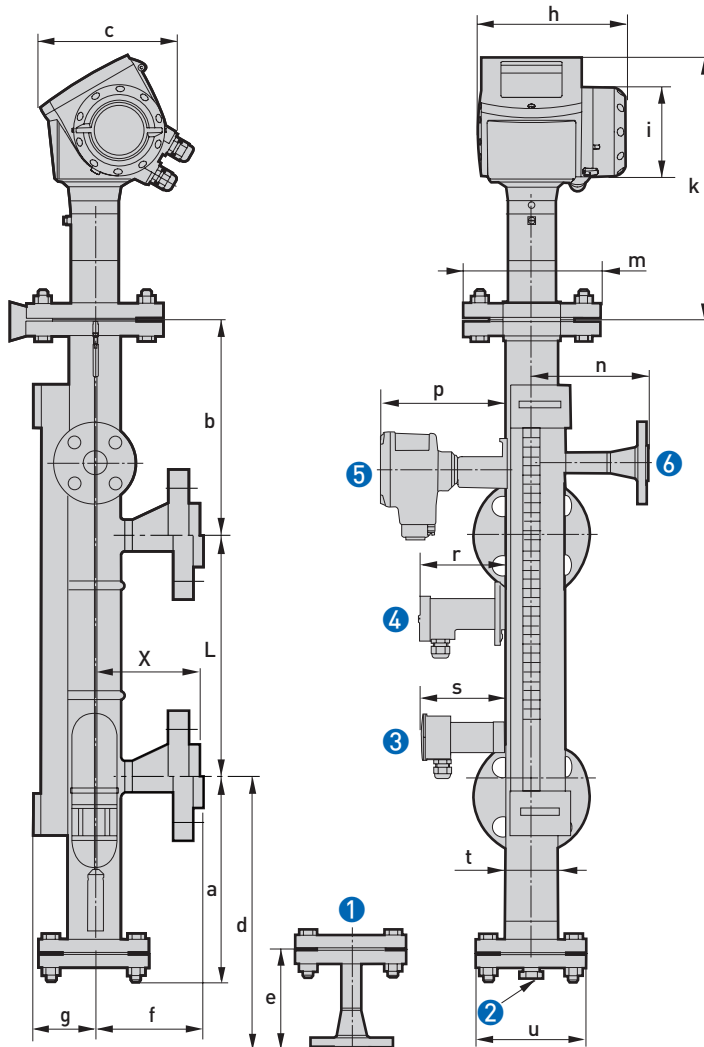
② Only connect to a certified intrinsically-safe power supply. Safety values: see supplementary operating instructions or approval certificates.

③ Dependant on temperature class: see supplementary operating instructions or approval certificates.

④ Optional: M25 x 1.5 or NPT $\frac{3}{4}$. Cable fitting not supplied.

Dimensions and Weights

Variant C: two side process connections



- ① Optional drain with welding neck flange connection
- ② Optional drain with G or NPT plug
- ③ Optional MS20 limit switch
- ④ Optional MS15 limit switch for low-temperature applications
- ⑤ Optional MS15 Exd limit switch for high-temperature and Ex d applications
- ⑥ Optional vent with welding neck flange connection

Note:

- Cable glands are delivered on demand with non-Ex, EEx i- and EEx d-approved devices.
- Non-Ex and EEx i fittings are plastic and EEx d fittings are metallic. Non-Ex fittings are black and EEx i fittings are blue.
- The diameter of the outer sheath of the cable must be 6...12 mm or 0.2...0.5".
- Floats and local indication (column of rotating flaps) are optional. Limit switches are only available if the float option is chosen.

Dimensions in mm

	Dimensions [mm]																		
	a	b	c	d	e	f	X	g	h	i	k	L	m	n	p	r	s	t	u
Bypass chamber C ①	165	260	217	295 ②	116	115	③	72	180	∅ 109	305	500 ... 6000	∅16 5	140 ④	146 ⑤	100 ⑥	98 ⑦	∅72 x 2.3	∅ 130

- ① with two side process connections
- ② with optional drain (welding neck flange)
- ③ welding neck flanges: refer to "Process connection length, X" table at the end of this section
- ④ with optional vent
- ⑤ with optional MS15 limit switch for high-temperature and Ex d applications
- ⑥ with optional MS15 limit switch for low-temperature applications
- ⑦ with optional MS20 limit switch

Dimensions in inches

	Dimensions [inches]																		
	a	b	c	d	e	f	X	g	h	i	k	L	m	n	p	r	s	t	u
Bypass chamber C ①	6.5	10.2	8.5	11.6 ②	4.6	4.5	③	2.8	7.0	∅4. 3	12.0	20 ... 236	∅6. 5	5.5 ④	5.7 ⑤	4.0 ⑥	3.9 ⑦	∅2. 8 x 0.09	∅5. 1

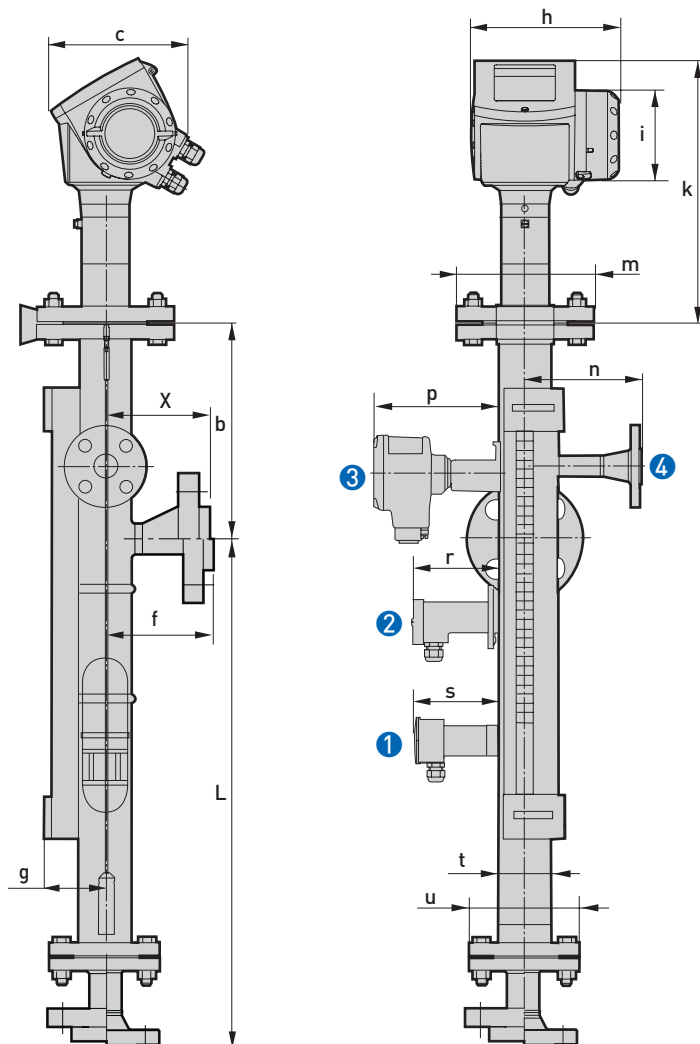
- ① with two side process connections
- ② with optional drain (welding neck flange)
- ③ welding neck flanges: refer to "Process connection length, X" table at the end of this section
- ④ with optional vent
- ⑤ with optional MS15 limit switch for high-temperature applications
- ⑥ with optional MS15 limit switch for low-temperature applications
- ⑦ with optional MS20 limit switch

Weight in kg and lbs

Converter and chamber	Weight when L=1000 mm	Weight when L=40 inches	Weight for every additional 100 mm	Weight for every additional 4 inches
Chamber type	[kg]	[lbs]	[kg]	[lbs]
Bypass chamber	23.9	52.7	0.5	1.1
MS15 BT limit switch ①	0.13	0.3	-	-
MS15 HT limit switch ②	1.2	2.6	-	-
MS20 limit switch	0.086	0.2	-	-

- ① for low-temperature applications
- ② for high-temperature applications

Variant F: top side and bottom inline process connections



- ① Optional MS20 limit switch
- ② Optional MS15 limit switch for low-temperature applications
- ③ Optional MS15 limit switch for high-temperature or Ex d applications
- ④ Optional vent with welding neck flange connection

Note:

- Cable glands are delivered on demand with non-Ex, EEx i- and EEx d-approved devices.
- Non-Ex and EEx i fittings are plastic and EEx d fittings are metallic. Non-Ex fittings are black and EEx i fittings are blue.
- The diameter of the outer sheath of the cable must be 6...12 mm or 0.2...0.5".
- Floats and local indication are optional. Limit switches are only available if float option is chosen.

Dimensions in mm

	Dimensions [mm]															
	b	c	f	X	g	h	i	k	L	m	n	p	r	s	t	u
Bypass chamber F ①	260	165	115	②	72	180	∅ 109	305	500 ... 6000	∅165	140 ③	146 ④	100 ⑤	98 ⑥	∅72 x 2.3	∅ 130

- ① with top side and bottom in-line process connections
- ② welding neck flanges: refer to "Process connection length, X" table at the end of this section
- ③ with optional vent (welding neck flange)
- ④ with optional MS15 limit switch for high-temperature and Ex d applications
- ⑤ with optional MS15 limit switch for low-temperature applications
- ⑥ with optional MS20 limit switch

Dimensions in inches

	Dimensions [inches]															
	b	c	f	X	g	h	i	k	L	m	n	p	r	s	t	u
Bypass chamber F ①	10.2	6.5	4.5	②	2.8	7.0	∅4.3	12.0	20 ... 236	∅6.5	5.5 ③	5.7 ④	4.0 ⑤	3.9 ⑥	∅2.8 x 0.09	∅5.1

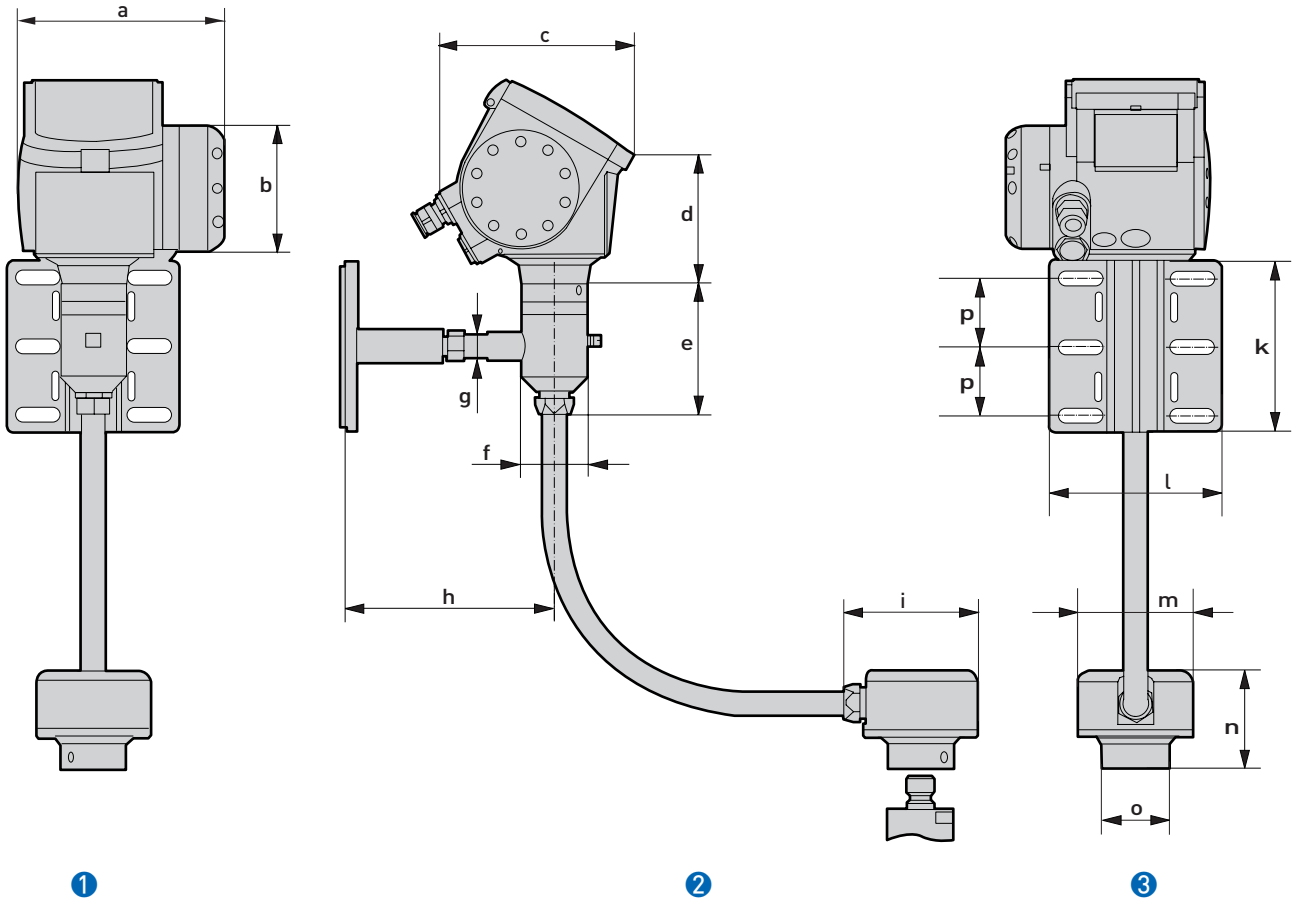
- ① with top side and bottom in-line process connections
- ② welding neck flanges: refer to "Process connection length, X" table at the end of this section
- ③ with optional vent (welding neck flange)
- ④ with optional MS15 limit switch for high-temperature and Ex d applications
- ⑤ with optional MS15 limit switch for low-temperature applications
- ⑥ with optional MS20 limit switch

Weight in kg and lbs

Converter and chamber	Weight when L=1000 mm	Weight when L=40 inches	Weight for every additional 100 mm	Weight for every additional 4 inches
Chamber type	[kg]	[lbs]	[kg]	[lbs]
Bypass chamber	23.9	52.7	0.5	1.1
MS15 BT limit switch ①	0.13	0.3	-	-
MS15 HT limit switch ②	1.2	2.6	-	-
MS20 limit switch	0.086	0.2	-	-

- ① for low-temperature applications
- ② for high-temperature applications

Remote housing



- 1 Front view
- 2 Left side
- 3 Rear view

Dimensions and Weights in mm and kg

	Dimensions [mm]															Weight [kg]
	a	b	c	d	e	f	g	h	i	k	l	m	n	o	p	
Remote version	180	109	165	193	98.5	58	21	183	117	150	150.4	100	86	58	60	6.6...12.85

1 wall bracket (1.4 kg) + housing support (1.5 kg) + remote probe housing (2.7 kg) + flexible conduit (2 m: 1 kg; 4.5 m: 2.25 kg; 9.5 m: 4.75 kg; 14.5 m: 7.25 kg)

Dimensions and Weights in inches and lbs

	Dimensions [inches]															Weight [lbs]
	a	b	c	d	e	f	g	h	i	k	l	m	n	o	p	
Remote version	7.09	4.29	6.50	7.60	3.88	2.28	0.83	7.20	4.60	5.91	5.92	3.94	3.39	2.28	2.36	14.6...28.3

1 wall bracket (3.1 lbs) + housing support (3.3 lbs) + remote probe housing (6.0 lbs) + flexible conduit (6.6 ft: 2.2 lbs; 14.8 ft: 5.0 lbs; 31.2 ft: 10.5 lbs; 47.6 ft: 16.0 lbs)

Remote version limits

- For interface applications the maximum the max. extension length is 4.5 m / 14.8 ft.
- For liquid level applications, the maximum measuring range is reduced according to the length of the electric cable between the flange and the converter (extension length).

Max. measuring range		Extension length options	
[m]	[ft]	[m]	[ft]
5	16.4	14.5	47.6
6	19.7	9.5	31.2
		4.5	14.8
		2	6.6

Applications

- Tank with a lot of vibration
- Limited space on the top of the tank or limited access (due to the size of the compact converter)
- Remote display on the bottom of the tank

Tables for process connection length, X

Process connection length, X, in mm (EN welding neck flanges)

Nominal size	Pressure rating	Process connection length, X
DN	PN	[mm]
15	40	79.5
20	40	81.5
25	40	81.5
40	40	86.5
50	40	89.5

Process connection length, X, in inches (EN welding neck flanges)

Nominal size	Pressure rating	Process connection length, X
DN	PN	[inches]
15	40	3.13
20	40	3.21
25	40	3.21
40	40	3.41
50	40	3.52

Process connection length, X, in mm (ASME welding neck flanges)

Nominal size	Pressure rating	Process connection length, X
ASME		[mm]
½"	150LB	89.5
¾"	150LB	93.5
1"	150LB	97.5
1½"	150LB	103.5
2"	150LB	104.5
½"	300LB	93.5
¾"	300LB	98.5
1"	300LB	103.5
1½"	300LB	109.5
2"	300LB	111.5

Process connection length, X, in inches (ASME welding neck flanges)

Nominal size	Pressure rating	Process connection length, X
ASME		[inches]
½"	150LB	3.52
¾"	150LB	3.84
1"	150LB	4.07
1½"	150LB	4.11
2"	150LB	3.68
½"	300LB	3.68
¾"	300LB	3.88
1"	300LB	4.07
1½"	300LB	4.31
2"	300LB	4.39

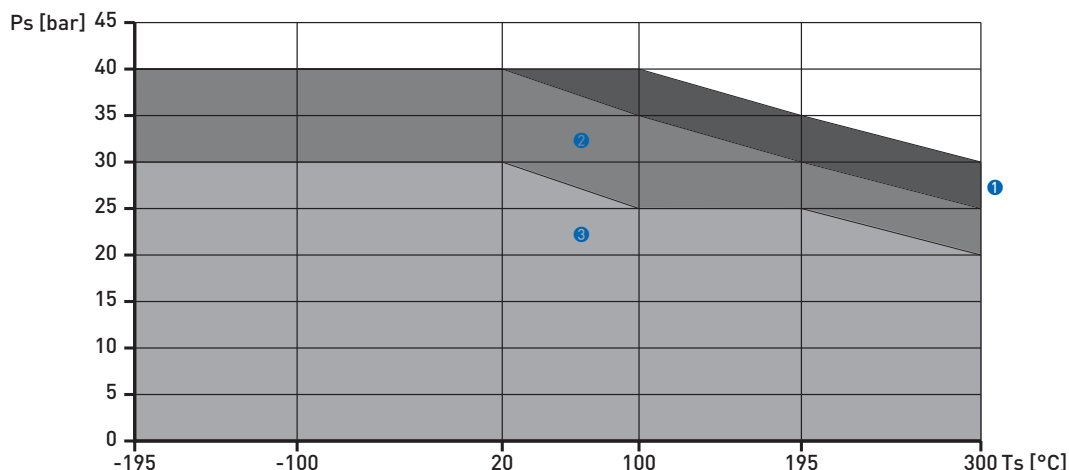
Guidelines for maximum operating pressure

Note:

Ensure that meters are used within their operating limits. Observe the following requirements.

Flanged connections for BM 26 chamber according to EN 1092-1:

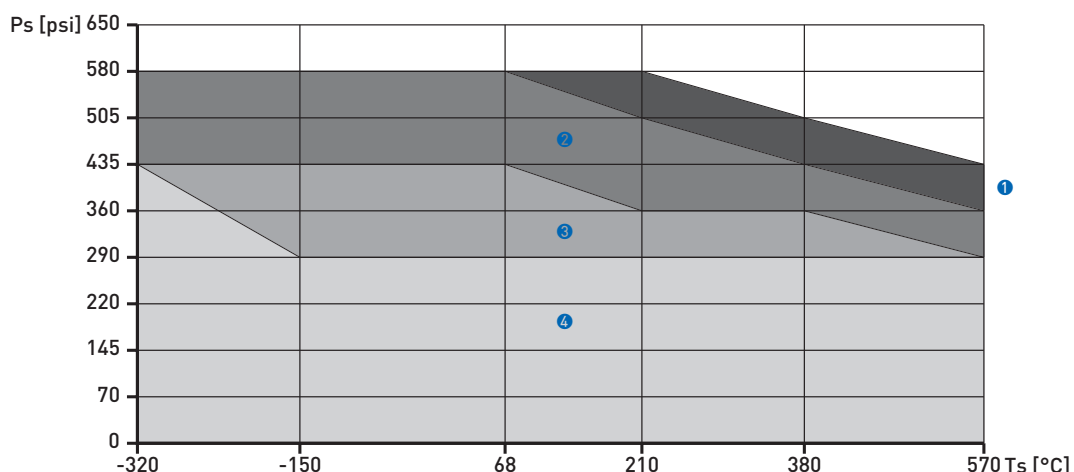
Pressure / temperature de-rating for 316 L (1.4404) stainless steel meters



- ① Loose and Welding Neck PN40 flanges for sizes DN15 and DN20
- ② Loose and Welding Neck PN40 flange for size DN25
- ③ Loose and Welding Neck PN40 flanges for sizes DN40 and DN50

Flanged connections for BM 26 chamber according to ASME:

Pressure / temperature de-rating for 316 L (1.4404) stainless steel meters



- ① ASME 300 lb flanges for sizes 1/2" and 3/4"
- ② ASME 300 lb flange for size 1"
- ③ ASME 300 lb flanges for sizes 1 1/2" and 2"
- ④ ASME 150 lb flanges for sizes 1/2", 3/4", 1, 1 1/2", and 2"

Notes

KROHNE Product Overview

- Electromagnetic flowmeters
- Variable area flowmeters
- Mass flowmeters
- Ultrasonic flowmeters
- Vortex flowmeters
- Flow controllers
- Level measuring instruments
- Pressure gauges
- Temperature measuring instruments
- Water solutions & analysis
- Oil and gas turnkey solutions

Addresses:

Germany

Northern sales office

KROHNE Messtechnik GmbH & Co. KG
Bremer Str. 133
D-21073 Hamburg
Phone: +49 (0)40 767 3340
Fax: +49 (0)40 767 33412
nord@krohne.de
ZIP code: 10000 - 29999, 49000 - 49999

Western and middle sales office

KROHNE Messtechnik GmbH & Co. KG
Ludwig-Krohne-Straße
D-47058 Duisburg
Phone: +49 (0)203 301 416
Fax: +49 (0)203 301 10416
west@krohne.de
ZIP code: 30000 - 34999, 37000 - 48000, 50000 - 53999, 57000 - 59999, 98000 - 99999

Southern sales office

KROHNE Messtechnik GmbH & Co. KG
Landsberger Str. 392
D-81241 Munich
Phone: +49 (0)89 121 5620
Fax: +49 (0)89 129 6190
sued@krohne.de
ZIP code: 0 - 9999, 80000 - 89999, 90000 - 97999

Southwestern sales office

KROHNE Messtechnik GmbH & Co. KG
Rüdesheimer Str. 40
D-65239 Hochheim/Main
Phone: +49(0)6146) 827 30
Fax: +49 (0)6146 827 312
rhein-main@krohne.de
ZIP code: 35000 - 36999, 54000 - 56999, 60000 - 79999

Instrumentation and control equipment catalog

TABLAR Messtechnik GmbH
Ludwig-Krohne-Straße 5
D-47058 Duisburg
Phone: +49 (0)2 03 305 880
Fax: +49 (0)2 03 305 8888
kontakt@tablar.de www.tablar.de

KROHNE sales companies

International

Australia

KROHNE Australia Pty Ltd
Quantum Business Park 10/287
Victoria Rd Rydalmere NSW 2116
Phone: +61 2 8846 1700
Fax: +61 2 8846 1755
krohne@krohne.com.au

Austria

KROHNE Austria Ges.m.b.H.
Modecenterstraße 14
A-1030 Vienna
Phone: +43 (0)1/203 45 32
Fax: +43 (0)1/203 47 78
info@krohne.at

Belgium

KROHNE Belgium N.V.
Brusselstraat 320
B-1702 Groot Bijgaarden
Phone: +32 (0)2 4 66 00 10
Fax: +32 (0)2 4 66 08 00
krohne@krohne.be

Brazil

KROHNE Conaut Controles
Automaticos Ltda.
Estrada Das Águas Espraiadas, 230
C.P. 56 06835 - 080 EMBU - SP
Phone: +55 (0)11-4785-2700
Fax: +55 (0)11 4785-2768
conaut@conaut.com.br

China

KROHNE Measurement Instruments
(Shanghai) Co. Ltd., (KMIC)
Room 1501
1033 Zhaojabang Road
Shanghai 200030
Phone: +86 21 6487 9611
Fax: +86 21 6438 7110
info@krohne-asia.com

Czech Republic

Sobická 156
63800 Brno
Phone: +420 (0)545.242 627
Fax: +420 (0)545 220 093
brno@krohne.cz

France

KROHNE S.A.S.
Les Ors BP 98
F-26103 ROMANS Cedex
Phone: +33 (0)4 75 05 44 00
Fax: +33 (0)4 75 05 00 48
info@krohne.fr

Great Britain
KROHNE Ltd.
Rutherford Drive
Park Farm Industrial Estate
Wellingborough
Northants NN8 6AE
Phone: +44 (0)19 33 408 500
Fax: +44 (0)19 33 408 501
info@krohne.co.uk

CIS

Kanex KROHNE Engineering AG
Business-Centre Planeta
Office 404 ul.
Marxistskaja 3
109147 Moscow/Russia
Phone: +7 (0)095 911 7165
Fax: +7 (0)095 742 8873
krohne@dol.ru

India

Krohne Marshall Ltd.
A-34/35, M.I.D.C. Industrial Area,
H-Block
Pimpri Poona 411018
Phone: +91 (0)202 744 2020
Fax: +91 (0)202 744 2020
pcu@vsnl.net

Iran

KROHNE Liaison Office
North Sohrevardi Ave. 26,
Sarmad St., Apt. #9
Tehran 15539
Phone: +9821 8874 5973
Fax: +9821 8850 1268
krohne@krohneiran.com

Italy

KROHNE Italia Srl.
Via V. Monti 75
I-20145 Milan
Phone: +39 02 4300 661
Fax: +39 02 4300 6666
info@krohne.it

Korea

KROHNE Korea
Room 508 Miwon Bldg 43
Yoido-Dong Youngdeungpo-Ku
Seoul, Korea
Phone: 00-82-2-782-1900
Fax: 00-82-2-780-1749
krohnekorea@krohnekorea.com

Netherlands

KROHNE Nederland B.V.
Kerkeplaat 14
NL-3313 LC Dordrecht
Phone: +31 (0)78 630 6200
Fax: +31 (0)78 630 6405
Service Direct: +31 (0)78 630 6222
info@krohne.nl

Norway

KROHNE Norway A.S.
Ekholtveien 114
NO-1521 Moss
Phone: +47 (0)69 264 860
Fax: +47 (0)69 267 333
postmaster@krohne.no

Poland

KROHNE Polska Sp.z.o.o.
ul. Stary Rynek Oliwski 8a
80-324 Gdansk
Phone: +48 (0)58 520 9211
Fax: +48 (0)58 520 9212
info@krohne.pl

Switzerland

KROHNE AG
Uferstr. 90
CH-4019 Basel
Phone: +41 (0)61 638 30 30
Fax: +41 (0)61 638 30 40
info@krohne.ch

Singapore

Tokyo Keiso - KROHNE (Singapore)
Pte. Ltd.
14, International Business Park,
Jurong East
Chiyoda Building, #01-01/02
Singapore 609922
Phone: (65) 6567 4548
Fax: (65) 6567 9874
tks@tokyokeiso-krohne.com.sg

Republic of South Africa

KROHNE Pty. Ltd.
Bushbock Close
Corporate Park South
Midrand, Gauteng
P.O. Box 2069
Midrand, 1685
Phone: +27 (0)11 314 1391
Fax: +27 (0)11 314 1681
midrand@krohne.co.za

Spain

I.I. KROHNE IBERIA, S.r.l.
Poligono Industrial Nilo
Calle Brasil, nº. 5
28806 Alcalá de Henares Madrid
Phone: +34 (0)91 883 2152
Fax: +34 (0)91 883 4854
krohne@krohne.es

USA

KROHNE, Inc.
7 Dearborn Road
Peabody, MA 01960
Phone: +1 (800) FLOWING
Phone: +1 (978) 535 6060 (in MA)
info@krohne.com

Representatives

Algeria
Argentina
Cameroon
Canada
Chile
Columbia
Croatia
Denmark
Ecuador
Egypt
Finland
Gabon
Ghana
Greece
Hong Kong
Hungary
Indonesia
Iran
Ireland
Israel
Ivory Coast
Japan
Jordan
Kuwait
Libya
Lithuania
Malaysia
Mauritius
Mexico
Morocco
New Zealand
Peru
Portugal
Romania
Saudi Arabia
Senegal
Slovakia
Slovenia
Sweden
Taiwan
Thailand
Tunisia
Turkey
Venezuela
Yugostavia

Other countries

KROHNE Messtechnik GmbH & Co. KG
Ludwig-Krohne-Str. 5
D-47058 Duisburg
Phone: +49 (0)203 301 0
Fax: +49 (0)203 301 389
export@krohne.de