

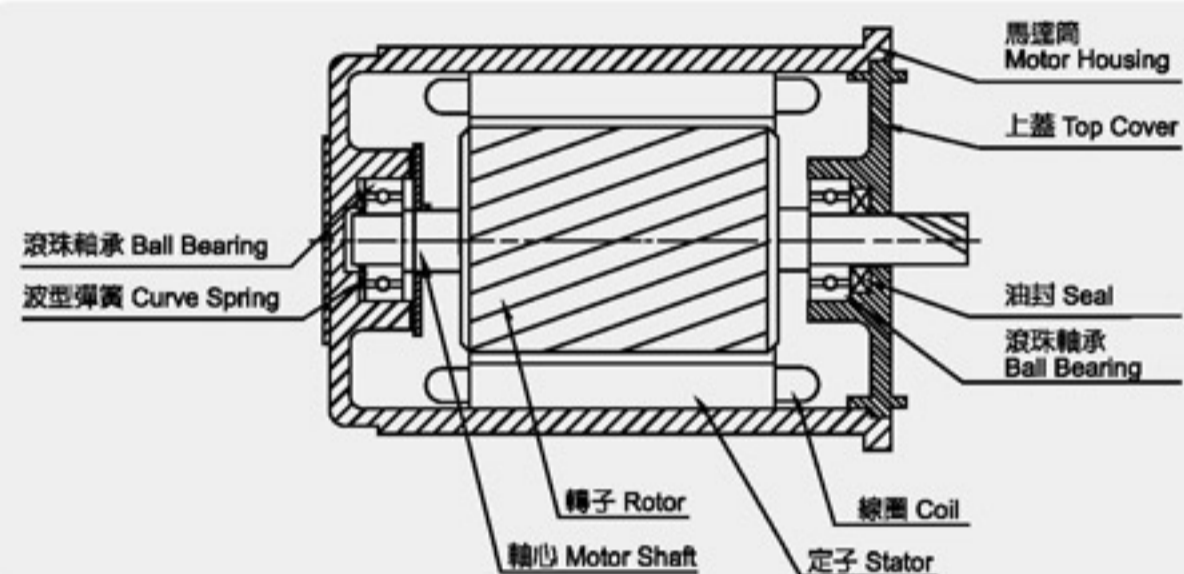
泛用型馬達 GENERAL PURPOSE MOTOR

- 連續額定 Continuous Rating
- 高效率、低噪音 High Efficiency, Low Noise
- 用途廣泛 Multifunctional
- 單相馬達：電容運轉型 1 Phase: with Capacitor
- 三相馬達：連續運轉型，適合產業機械使用 3 Phase: Continuous Running, Suitable for Industrial Machinery

● 連續運轉型，導線式

INDUCTION MOTOR, LEAD-WIRE TYPE (6W-90W)

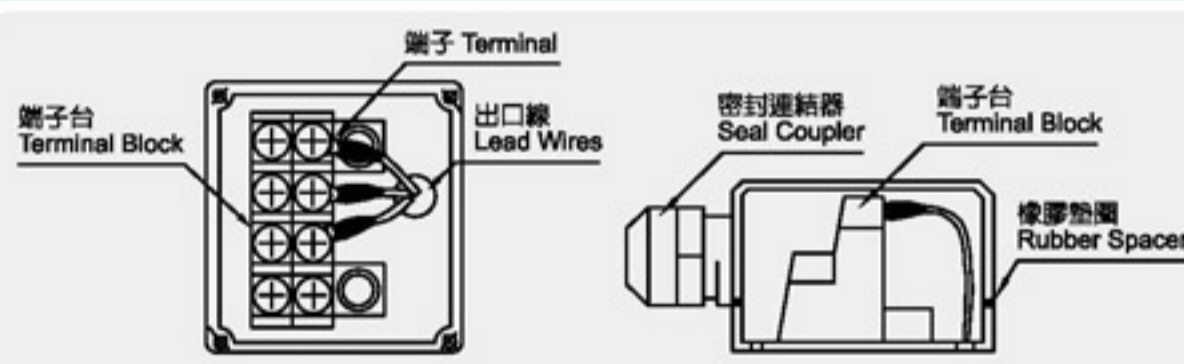
連續運轉型馬達構造圖 INDUCTION MOTOR CONSTRUCTION



● 連續運轉型，接線盒式

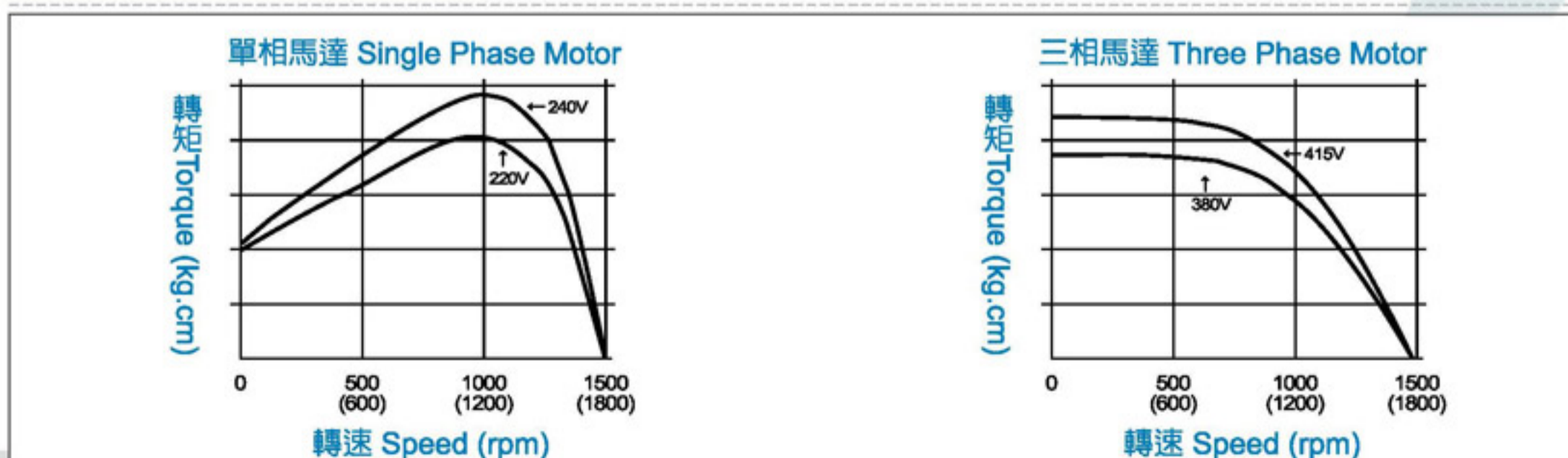
INDUCTION MOTOR, TERMINAL BOX TYPE (6W-90W)

接線盒構造圖 TERMINAL BOX CONSTRUCTION



● 連續運轉型馬達特性圖

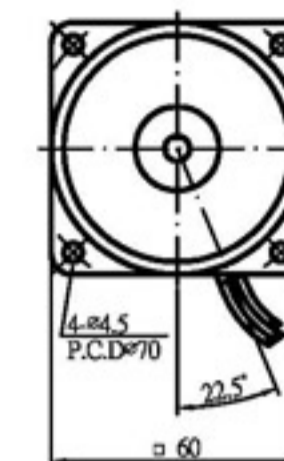
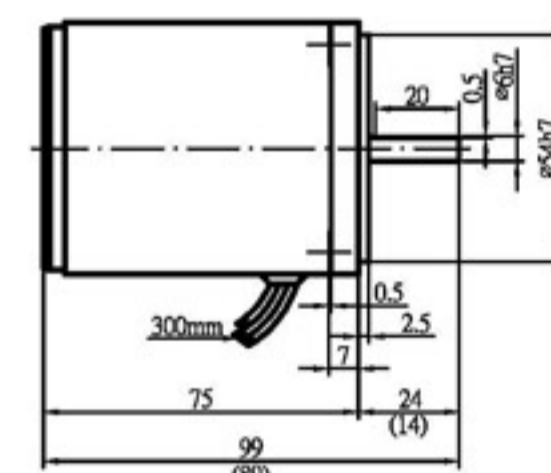
INDUCTION MOTOR CURVE



備註：4極馬達在頻率50Hz時，同步轉速為1500rpm。在60Hz時為1800rpm。
NOTES: At 50Hz, a 4-pole motor has synchronous turning speed of 1500rpm, 1800rpm at 60Hz.

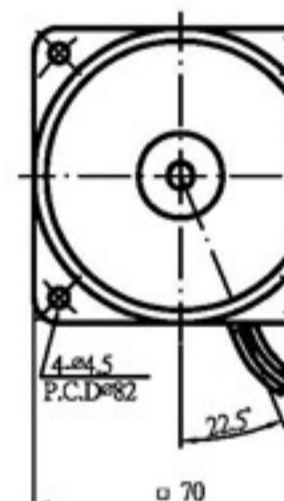
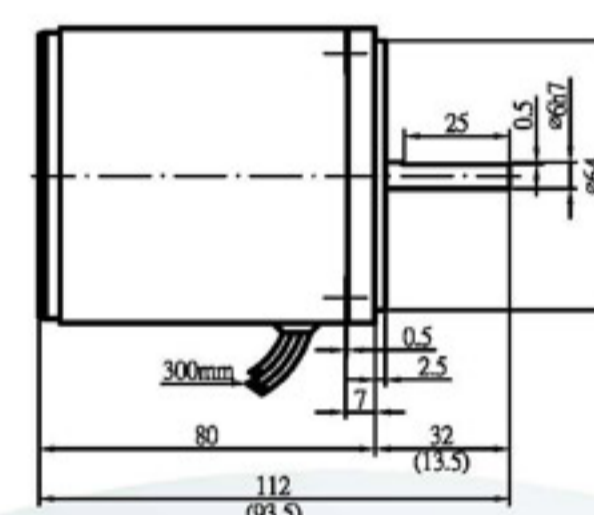
感應式馬達 導線式-防護等級IP22 INDUCTION MOTOR, LEAD-WIRE TYPE-IP22

- 外形圖與規格表
- OUTLINE & SPECIFICATION
- 單位/UNIT: mm



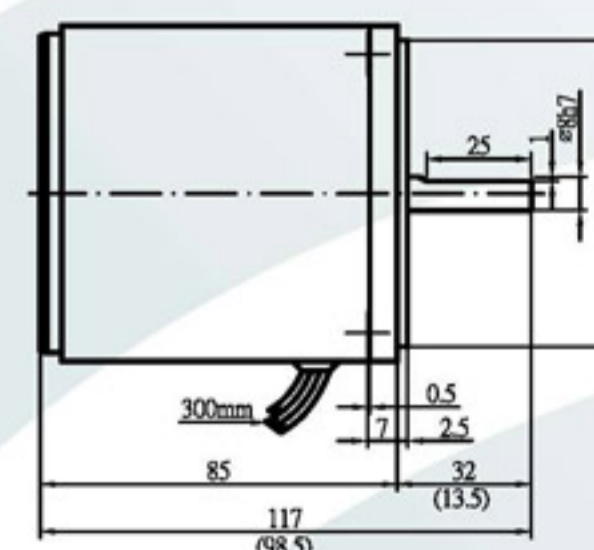
《6W外形圖》

6W機型MODEL	出力(W) OUTPUT	電壓(V) VOLTAGE	頻率(HZ) FREQ.	極數(P) POLE	額定轉數(rpm) RATED SPEED	額定時間 RATED TIME	起動轉矩(Kg.cm) STARTING TORQUE	額定轉矩(Kg.cm) RATED TORQUE	額定電流(A) RATED CURRENT	電容量(µF) CAPACITOR
2IK6A(GN)-A	6	1ø100/110	50/60	4	1050/1400	連續Continuous	0.61/0.56	0.45/0.41	0.2/0.21	2.5/300V
2IK6A(GN)-C	6	1ø200/220	50/60	4	950/1350	連續Continuous	0.47/0.62	0.53/0.43	0.1/0.1	0.7/450V
2IK6A(GN)-CE	6	1ø230/240	50	4	850/950	連續Continuous	0.19/0.6	0.38/0.52	0.1/0.1	0.7/450V



《15W外形圖》

15W機型MODEL	出力(W) OUTPUT	電壓(V) VOLTAGE	頻率(HZ) FREQ.	極數(P) POLE	額定轉數(rpm) RATED SPEED	額定時間 RATED TIME	起動轉矩(Kg.cm) STARTING TORQUE	額定轉矩(Kg.cm) RATED TORQUE	額定電流(A) RATED CURRENT	電容量(µF) CAPACITY
3IK15A(GN)-A	15	1ø100/110	50/60	4	1150/1650	連續Continuous	0.89/1.24	1.24/0.9	0.36/0.35	5/300V
3IK15A(GN)-C	15	1ø200/220	50/60	4	1150/1600	連續Continuous	0.75/1.1	1.12/0.93	0.18/0.18	1.2/450V
3IK15A(GN)-CE	15	1ø230/240	50	4	1300/1300	連續Continuous	1.06/1.06	1.14/1.13	0.17/0.17	1.2/450V



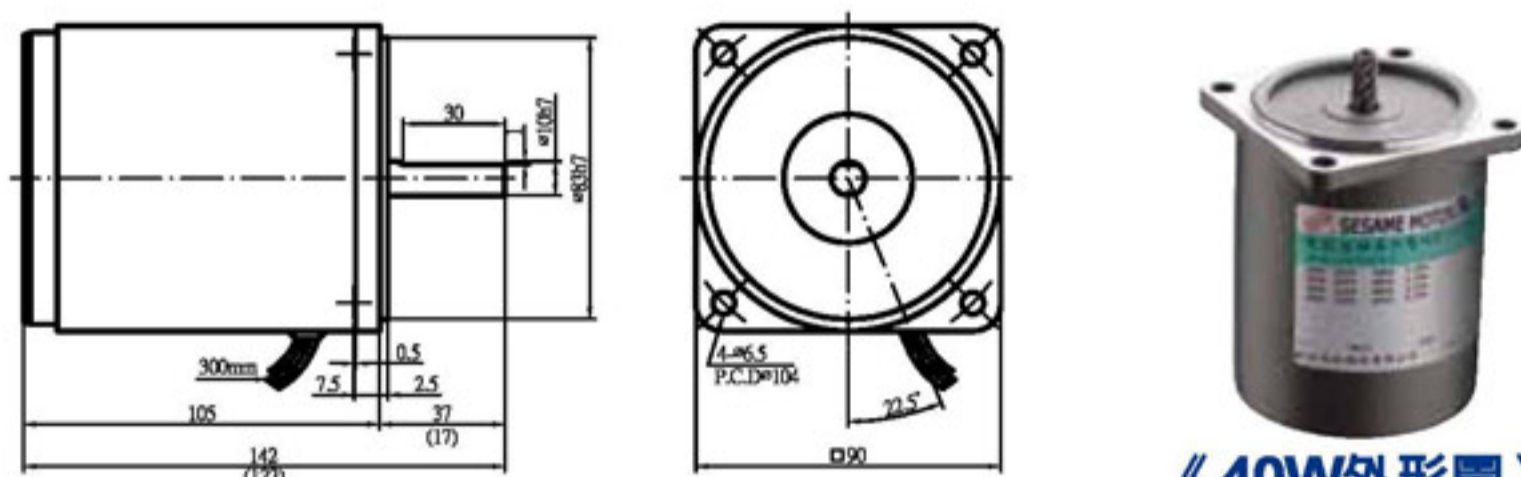
《25W外形圖》

25W機型MODEL	出力(W) OUTPUT	電壓(V) VOLTAGE	頻率(HZ) FREQ.	極數(P) POLE	額定轉數(rpm) RATED SPEED	額定時間 RATED TIME	起動轉矩(Kg.cm) STARTING TORQUE	額定轉矩(Kg.cm) RATED TORQUE	額定電流(A) RATED CURRENT	電容量(µF) CAPACITY
4IK25A(GN)-A	25	1ø100/110	50/60	4	1000/1550	連續Continuous	1.67/1.58	2.34/1.57	0.62/0.52	6/300V
4IK25A(GN)-C	25	1ø200/220	50/60	4	1050/1500	連續Continuous	1.34/1.6	2.12/1.61	0.33/0.28	1.5/450V
4IK25A(GN)-CE	25	1ø230/240	50	4	1050/1200	連續Continuous	1.19/2.06	1.89/2.05	0.29/0.26	1.5/450V
4IK25A(GN)-S	25	3ø220	50/60	4	1250/1500	連續Continuous	6.21/5.07	1.98/1.62	0.24/0.21	-
4IK25A(GN)-U	25	3ø380	50/60	4	1150/1350	連續Continuous	5.14/4.03	2.14/1.82	0.12/0.11	-

感應式馬達 導線式-防護等級IP22

INDUCTION MOTOR, LEAD-WIRE TYPE-IP22

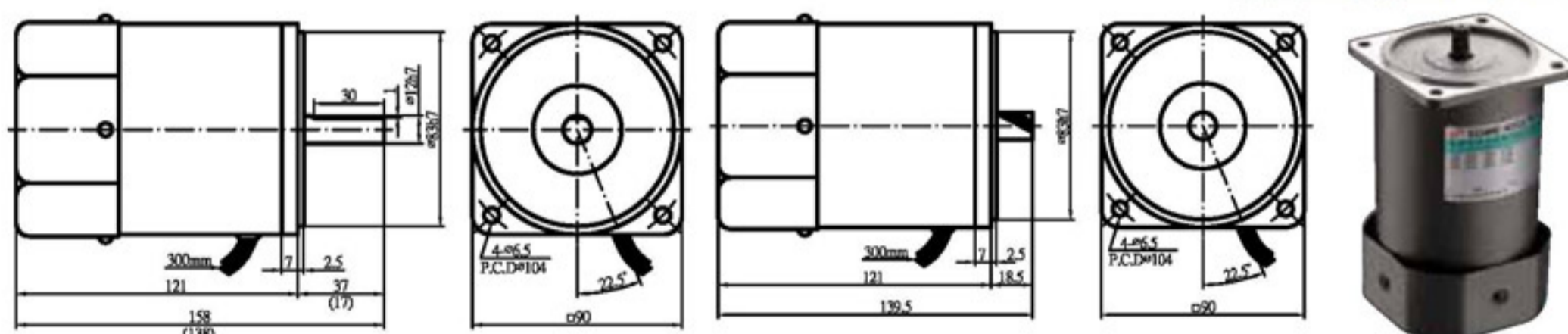
- 外形圖與規格表
- OUTLINE & SPECIFICATION
- 單位/UNIT : mm



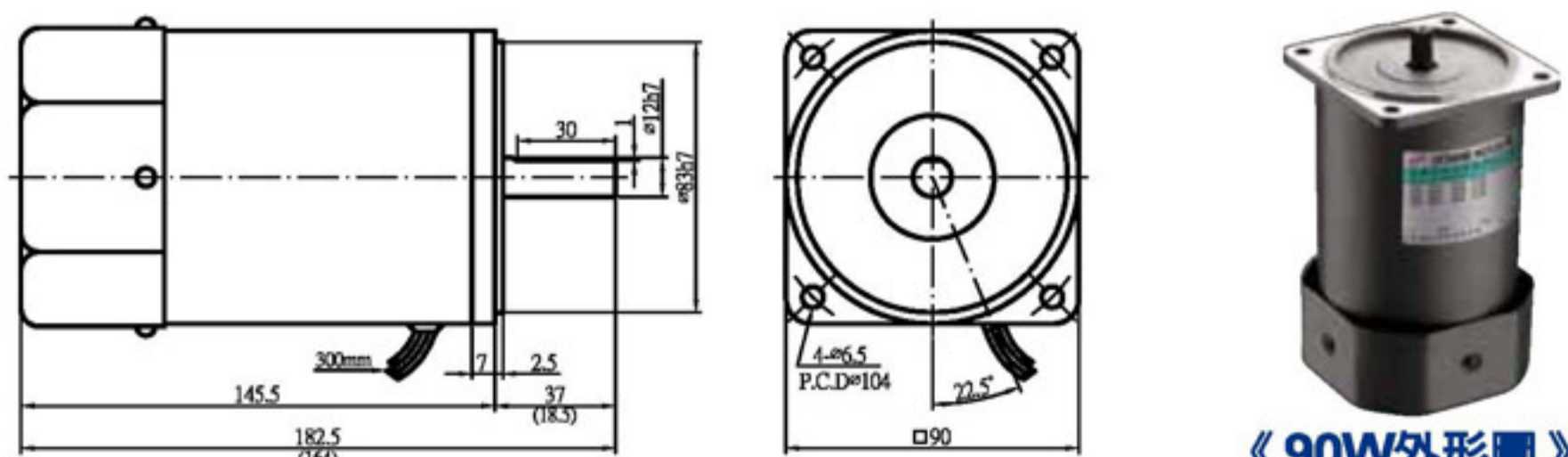
《40W外形圖》

40W機型MODEL	出力(W) OUTPUT	電壓(V) VOLTAGE	頻率(HZ) FREQ.	極數(P) POLE	額定轉數(rpm) RATED SPEED	額定時間 RATED TIME	起動轉矩(Kg.cm) STARTING TORQUE	額定轉矩(Kg.cm) RATED TORQUE	額定電流(A) RATED CURRENT	電容量(μF) CAPACITY
5IK40A(GN)-A	40	1φ100/110	50/60	4	1100/1500	連續Continuous	1.75/2.76	2.61/2.59	0.81/0.82	10/300V
5IK40A(GN)-C	40	1φ200/220	50/60	4	1100/1500	連續Continuous	2.05/2.76	3.07/2.54	0.4/0.39	2.5/450V
5IK40A(GN)-CE	40	1φ230/240	50	4	1050/1250	連續Continuous	2.42/3.11	3.44/3.11	0.41/0.35	2.5/450V
5IK40A(GN)-S	40	3φ220	50/60	4	1400/1600	連續Continuous	12.34/9.12	2.84/2.41	0.34/0.31	-
5IK40A(GN)-U	40	3φ380	50/60	4	1350/1600	連續Continuous	10.1/8.24	2.92/2.47	0.2/0.18	-

《60W/60W-GX外形圖》



60W/60W-GX機型MODEL	出力(W) OUTPUT	電壓(V) VOLTAGE	頻率(HZ) FREQ.	極數(P) POLE	額定轉數(rpm) RATED SPEED	額定時間 RATED TIME	起動轉矩(Kg.cm) STARTING TORQUE	額定轉矩(Kg.cm) RATED TORQUE	額定電流(A) RATED CURRENT	電容量(μF) CAPACITY
5IK60A(GN, GX)-AF	60	1φ100/110	50/60	4	1200/1650	連續Continuous	2.6/2.94	5.0/3.5	1.8/1.12	16/300V
5IK60A(GN, GX)-CF	60	1φ200/220	50/60	4	1250/1600	連續Continuous	3.1/4.23	4.7/3.65	0.66/0.56	4/450V
5IK60A(GN, GX)-CEF	60	1φ230/240	50	4	1300/1350	連續Continuous	4.14/5.22	4.56/4.4	0.56/0.55	4/450V
5IK60A(GN, GX)-SF	60	3φ220	50/60	4	1300/1550	連續Continuous	13.72/10.70	4.47/3.77	0.41/0.39	-
5IK60A(GN, GX)-UF	60	3φ380	50/60	4	1400/1550	連續Continuous	14.33/10.15	4.2/3.79	0.21/0.22	-



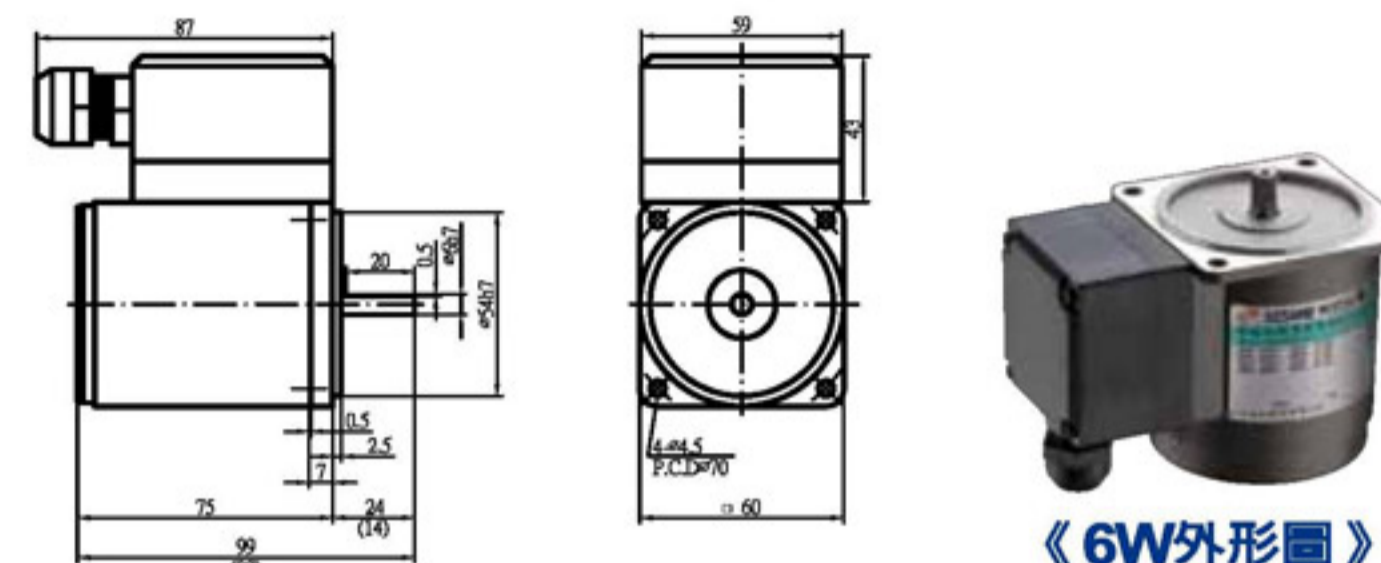
《90W外形圖》

90W機型MODEL	出力(W) OUTPUT	電壓(V) VOLTAGE	頻率(HZ) FREQ.	極數(P) POLE	額定轉數(rpm) RATED SPEED	額定時間 RATED TIME	起動轉矩(Kg.cm) STARTING TORQUE	額定轉矩(Kg.cm) RATED TORQUE	額定電流(A) RATED CURRENT	電容量(μF) CAPACITY
5IK90A(GX)-AF	90	1φ100/110	50/60	4	1300/1650	連續Continuous	4.98/6.58	6.72/5.32	1.55/1.64	24/250V
5IK90A(GX)-CF	90	1φ200/220	50/60	4	1300/1600	連續Continuous	5.19/6.22	6.64/5.35	0.77/0.81	6/450V
5IK90A(GX)-CEF	90	1φ230/240	50	4	1300/1350	連續Continuous	6.98/7.22	6.67/6.57	0.72/0.76	6/450V
5IK90A(GX)-SF	90	3φ220	50/60	4	1400/1650	連續Continuous	27.56/20.67	6.27/5.23	0.77/0.65	-
5IK90A(GX)-UF	90	3φ380	50/60	4	1400/1650	連續Continuous	23.3/18.14	6.3/5.3	0.4/0.3	-

感應式馬達 接線盒式-防護等級IP54

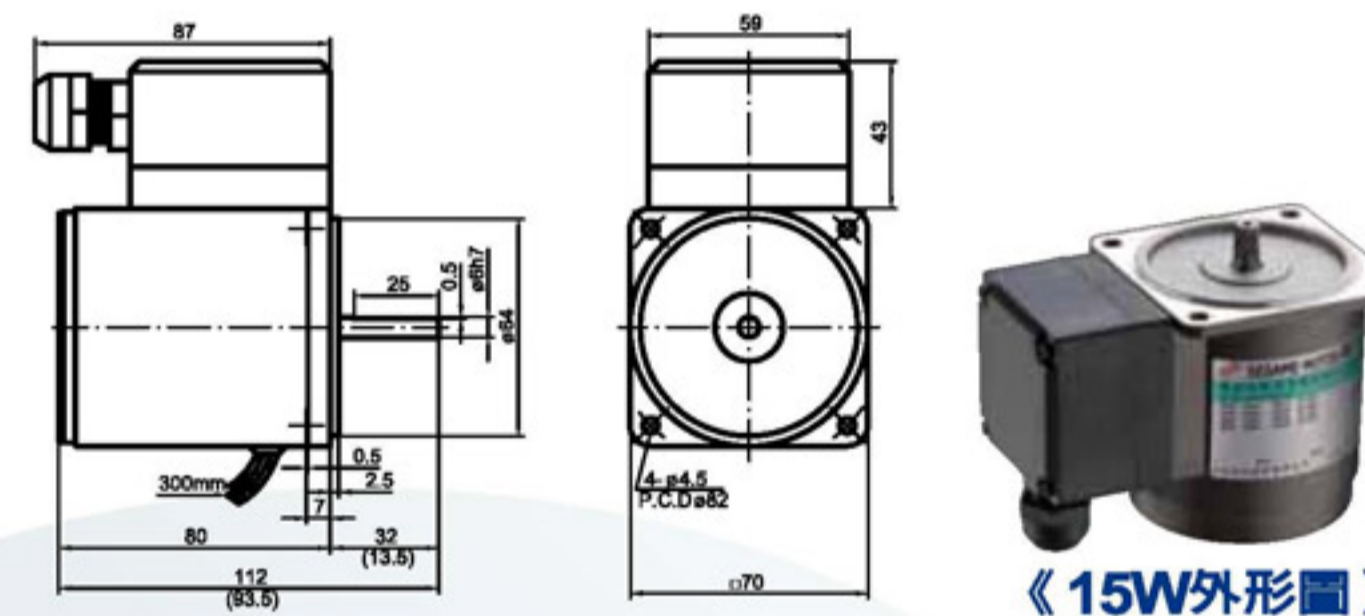
INDUCTION MOTOR, TERMINAL BOX TYPE-IP54

- 外形圖與規格表
- OUTLINE & SPECIFICATION
- 單位/UNIT : mm



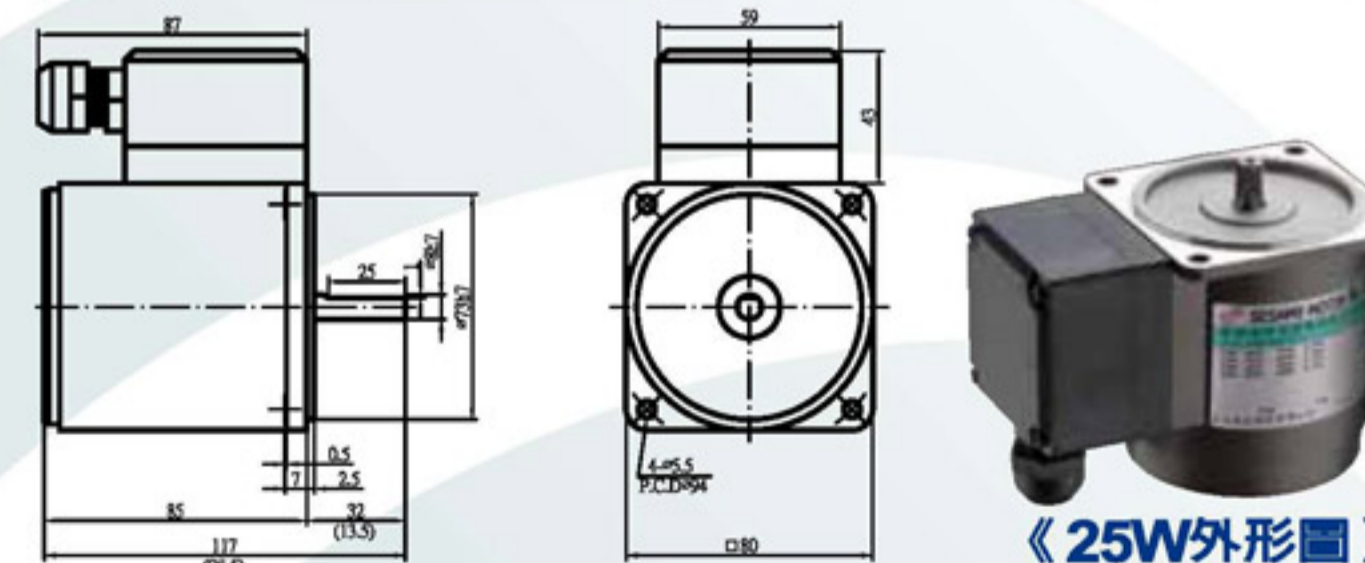
《6W外形圖》

6W機型MODEL	出力(W) OUTPUT	電壓(V) VOLTAGE	頻率(HZ) FREQ.	極數(P) POLE	額定轉數(rpm) RATED SPEED	額定時間 RATED TIME	起動轉矩(Kg.cm) STARTING TORQUE	額定轉矩(Kg.cm) RATED TORQUE	額定電流(A) RATED CURRENT	電容量(μF) CAPACITY
2IK6A(GN)-AT	6	1φ100/110	50/60	4	1050/1400	連續Continuous	0.61/0.56	0.45/0.41	0.2/0.21	2.5/300V
2IK6A(GN)-CT	6	1φ200/220	50/60	4	950/1350	連續Continuous	0.47/0.62	0.53/0.43	0.1/0.1	0.7/450V
2IK6A(GN)-CET	6	1φ230/240	50	4	850/950	連續Continuous	0.19/0.6	0.38/0.52	0.1/0.1	0.7/450V



《15W外形圖》

15W機型MODEL	出力(W) OUTPUT	電壓(V) VOLTAGE	頻率(HZ) FREQ.	極數(P) POLE	額定轉數(rpm) RATED SPEED	額定時間 RATED TIME	起動轉矩(Kg.cm) STARTING TORQUE	額定轉矩(Kg.cm) RATED TORQUE	額定電流(A) RATED CURRENT	電容量(μF) CAPACITY
3IK15A(GN)-AT	15	1φ100/110	50/60	4	1150/1650	連續Continuous	0.89/1.24	1.24/0.9	0.36/0.35	5/300V
3IK15A(GN)-CT	15	1φ200/220	50/60	4	1150/1600	連續Continuous	0.75/1.1	1.12/0.93	0.18/0.18	1.2/450V
3IK15A(GN)-CET	15	1φ230/240	50	4	1300/1300	連續Continuous	1.06/1.06	1.14/1.13	0.17/0.17	1.2/450V



《25W外形圖》

25W機型MODEL	出力(W) OUTPUT	電壓(V) VOLTAGE	頻率(HZ) FREQ.	極數(P) POLE	額定轉數(rpm) RATED SPEED	額定時間 RATED TIME	起動轉矩(Kg.cm) STARTING TORQUE	額定轉矩(Kg.cm) RATED TORQUE	額定電流(A) RATED CURRENT	電容量(μF) CAPACITY
4IK25A(GN)-AT	25	1φ100/110	50/60	4	1000/1550	連續Continuous	1.67/1.58	2.34/1.57	0.62/0.52	6/300V
4IK25A(GN)-CT	25	1φ200/220	50/60	4	1050/1500	連續Continuous	1.34/1.6	2.12/1.61	0.33/0.28	1.5/450V
4IK25A(GN)-CET	25	1φ230/240	50	4	1050/1200	連續Continuous	1.19/2.06	1.89/2.05	0.29/0.26	1.5/450V
4IK25A(GN)-ST	25	3φ220	50/60	4	1250/1500	連續Continuous	6.21/5.07	1.98/1.62	0.24/0.21	-
4IK25A(GN)-UT	25	3φ380	50/60	4	1150/1350	連續Continuous	5.14/4.03	2.14/1.82	0.12/0.11	-