

*Heavy-duty construction*  
*Compact, streamline style*  
*Stationary or portable*  
*Dual, stacked or multiple*  
*Electric, gas, diesel or hydraulic drive options*  
*Flow and pressure tested*  
*Fast turn-around time*  
*Full line of matching system accessories*



*The Pumps with Nine Lives*

# *Customized* **POWER UNITS**

**You define. We design.**



# Customize Your Power Unit You define the components. We design the system.



**Belt Drive**

Belt drive is the optimum drive choice providing maximum flexibility and added shock absorption for your system. Changing the pulley size quickly adjusts the output of your pump.



**Gas Drive**

Gas drive offers portability and access to remote locations. Coupled with a direct-drive pump for a compact, economical unit or belt-drive pumps for heavy-duty, higher performance.



**Hydraulic Powered**

Hydraulic drive provides a compact footprint and capitalizes on existing hydraulics to power the pump.



**Diesel Drive**

Diesel drive delivers fuel economy and performance longevity in higher horsepower systems. Like the gas drive, it provides access to remote systems.

**Oil cap protector prevents moisture and dust from entering crankcase oil.**

**Pump eyebolt for easy lifting of pump only. Additional balanced eyebolts available on base.**

**Bladder type, nitrogen precharged pulsation dampeners in steel or stainless mount directly onto discharge head for smooth minimum pulsation operation.**

**Pressure gauge in steel or stainless for checking pump head pressure and monitoring system performance.**

**Reinforced, 13-gauge expanded and flattened 1/2" metal belt guard assures proper ventilation and operator safety.**

**CAT PUMPS reciprocating, triplex plunger or piston pumps in brass or stainless offer flows from 0.5 to 320 gpm and pressures from 100 to 7000 psi for thousands for high-pressure liquid pumping requirements.**

**Typical electric drive can be 50 or 60 Hz with vari-drive, or alternate gas, hydraulic or diesel drive as required.**

**Convenient two screw adjustable motor base (epoxy coated or 304SS) simplifies belt tension and adjustment.**

**Oilers provide additional lubrication in dusty environments or when pumping low lubricity liquids.**

**Reinforced, flexible hose in steel or stainless installed before hard plumbing absorbs liquid pulsing at inlet and discharge of pump.**

**Convenient oil drain kit for easy periodic oil changes.**

**Safety shaft protector covers rotating pump shaft preventing personal injury.**

**S.S. Captive Acceleration Tube (C.A.T.) absorbs liquid energy to be released as needed, providing consistent inlet pressure and minimizing damaging surges, spikes and cavitation.**

**Recommended minimum 80 mesh inlet filtration to protect pump from abrasives and solids.**

**Formed sides for added strength and safety.**

**Primary pressure regulating valve and secondary safety relief valve in brass or stainless steel provide system pressure setting and protect pump from over pressurization.**

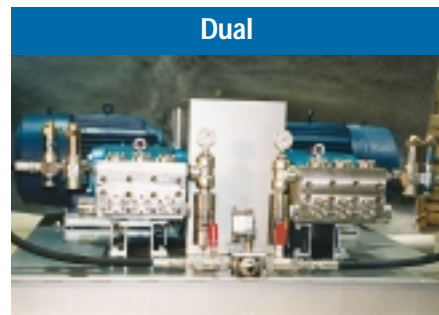
**Heavy-duty, 3/8" base plate (2-mil epoxy powder coated steel or 304SS) with 1/4" channel base supports for maximum weight load and minimal flexing.**

**Heavy-duty, bolt down shock mounts provide easy leveling and shock absorption.**



**Portable**

We deliver portability. Whether moving it around the plant or from one jobsite to another, systems are available with handle and wheels, carrying handle or truck mount base.



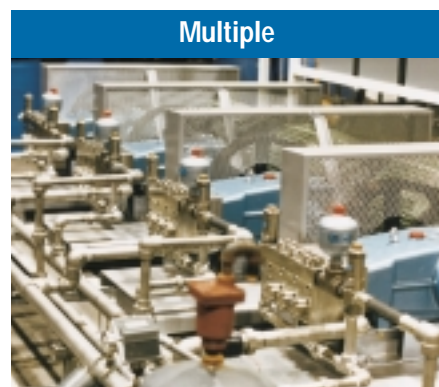
**Dual**

We deliver options. Dual pump systems permit doubling performance when needed or reducing energy consumption when only half performance is required.



**Stacked**

We can save you space. Our stacked units offer a smaller footprint than standard horizontal systems, yet easy accessibility for periodic maintenance.



**Multiple**

We provide flexibility. Our multiple pump systems permit expanding the system to meet future needs and bringing pumps up to speed as the demand increases.

# Power Unit Quotation Checklist

## WHAT IS YOUR APPLICATION?

## SYSTEM SPECIFICATIONS

GPM \_\_\_\_\_ RPM \_\_\_\_\_  
 Discharge PSI: Min. \_\_\_\_\_ Max. \_\_\_\_\_ Working \_\_\_\_\_  
 Duty:  Intermediate  Continuous Hrs/Day \_\_\_\_\_  
 Head Materials \_\_\_\_\_ Elastomers \_\_\_\_\_

### Pumping Conditions

Liquid:  Freshwater  Sea Water  Hard Water  
 Chemicals: \_\_\_\_\_ pH \_\_\_\_\_  
 Liquid Temp:  Amb.  <140°F  <180°F  Other \_\_\_\_\_  
 Inlet PSI: \_\_\_\_\_  
 Gravity  City  Booster  Suction  
 Tank Size \_\_\_\_\_ Environment Temp. \_\_\_\_\_  
 Noise Level \_\_\_\_\_ Elevation \_\_\_\_\_

### Drive Mechanism

V-Belt  Coupling  Gear Drive  Gearbox  
 Vari-Drive  Hydraulic Drive  
 Gas Engine Hp \_\_\_\_\_  Diesel Engine Hp \_\_\_\_\_

### Electric Motor Drive (All Motors TEFC)

Voltage \_\_\_\_\_ Phase \_\_\_\_\_  
 RPM \_\_\_\_\_ Amps \_\_\_\_\_  
 Horsepower \_\_\_\_\_ Cycle:  50  60  
 Isol. Class \_\_\_\_\_ TEFC \_\_\_\_\_  
 Open Drip  Hazardous  Sanitary Wash Down  Explosion  
 Hostile Duty  Premium Efficiency  IIEEC

## ACCESSORIES

### Inlet Section:

C.A.T. (w/Adapters)  Filters (Standard 80 Mesh)  
 Inlet Pressure Regulator  Oilers (Pump)  Flexible Inlet Hose

### Discharge Section:

Regulator/Unloader\*  Pulsation Dampener  
 Safety/Relief/Pop-Off Valve\*  Thermo Valve  Pressure Gauge\*  
 Flexible Discharge Hose  30/50 ft. Hose  Chemical Injector  
 Nozzles  Guns  Dump Gun  Wet Blasting Gun  Lances  
 Other \_\_\_\_\_

\*Minimum accessory required on all high pressure systems.

### Frame/Skid (Horizontal Base Plate w/Belt Guard, Shock Mounts)

Stacked  Handle  
 Epoxy Coated  304SS  Custom Paint  
 Wheels:  Swivel  Locking

### Other Total System Data

Portable  Stationary  Shipboard  Enclosed (Ventilated)  
 Planned Maintenance Cycle \_\_\_\_\_

**Additional Comments** \_\_\_\_\_  
 \_\_\_\_\_  
 \_\_\_\_\_  
 \_\_\_\_\_  
 \_\_\_\_\_

## CAT PUMPS MODEL SELECTION

<b>5-10 FRAME</b>	<b>35-38 FRAME</b>
<input type="checkbox"/> 5CP3120 Pump - BB	<input type="checkbox"/> 3507 Pump - NAB
<input type="checkbox"/> 5CP5120 Pump - BB	<input type="checkbox"/> 3517 Pump - NAB
<input type="checkbox"/> 5CP6120 Pump - BB	<input type="checkbox"/> 3520 Pump - BB
<input type="checkbox"/> 5CP6221 Pump - SS	<input type="checkbox"/> 3521 Pump - SS
<input type="checkbox"/> 7CP6170 Pump - BB	<input type="checkbox"/> 3527 Pump - NAB
<input type="checkbox"/> 56, 57, 60 Pump - BB	<input type="checkbox"/> 3531 Pump - SS
<input type="checkbox"/> 70 Pump - BB	<input type="checkbox"/> 3535 Pump - BB
<input type="checkbox"/> 781 Pump - SSLB	<input type="checkbox"/> 3537 Pump - NAB
<input type="checkbox"/> 820 Pump - BB	<input type="checkbox"/> 3541 Pump - SS
<input type="checkbox"/> 821 Pump - SS	<input type="checkbox"/> 3545 Pump - BB
<input type="checkbox"/> 1010 Pump - BB	<input type="checkbox"/> 3560 Pump - BBSS
<input type="checkbox"/> 1011 Pump - SS	<input type="checkbox"/> 3801 Pump - SSLB
	<input type="checkbox"/> 3811 Pump - SSLB
	<input type="checkbox"/> 3821 Pump - SSLB
	<input type="checkbox"/> 3831 Pump - SSLB
	<input type="checkbox"/> 3841 Pump - SSLB
<b>15-25 FRAME</b>	<b>60-68 FRAME</b>
<input type="checkbox"/> 650 Pump - BB	<input type="checkbox"/> 6020 Pump - BB
<input type="checkbox"/> 660 Pump - BB	<input type="checkbox"/> 6021 Pump - SS
<input type="checkbox"/> 661 Pump - SS	<input type="checkbox"/> 6040 Pump - BB
<input type="checkbox"/> 1050 Pump - BB	<input type="checkbox"/> 6041 Pump - SS
<input type="checkbox"/> 1057 Pump - NAB	<input type="checkbox"/> 6747 Pump - NAB
<input type="checkbox"/> 1051 Pump - SS	<input type="checkbox"/> 6760 Pump - BB
<input type="checkbox"/> 1520 Pump - BB	<input type="checkbox"/> 6761 Pump - SSL
<input type="checkbox"/> 1521 Pump - S	<input type="checkbox"/> 6762 Pump - SSD
<input type="checkbox"/> 1530 Pump - BB	<input type="checkbox"/> 6767 Pump - NAB
<input type="checkbox"/> 1540 Pump - BB	<input type="checkbox"/> 6811 Pump - SSLB
<input type="checkbox"/> 1531 Pump - SS	<input type="checkbox"/> 6821 Pump - SSLB
<input type="checkbox"/> 1861 Pump - SSLB	<input type="checkbox"/> 6831 Pump - SSLB
<input type="checkbox"/> 2510 Pump - BB	<input type="checkbox"/> 6841 Pump - SSLB
<input type="checkbox"/> 2511 Pump - SS	<input type="checkbox"/> 6861 Pump - SSLB
<input type="checkbox"/> 2520 Pump - BB	
<input type="checkbox"/> 2521 Pump - S	<b>150 FRAME R-SERIES</b>
<input type="checkbox"/> 2530 Pump - BB	<input type="checkbox"/> 152R060 Pump - SSD
<input type="checkbox"/> 2531 Pump - SS	<input type="checkbox"/> 152R080 Pump - SSD
<input type="checkbox"/> 2537 Pump - NAB	<input type="checkbox"/> 152R100 Pump - SSD
<input type="checkbox"/> 2831 Pump - SSLB	<input type="checkbox"/> 157R060 Pump - SSD

MATERIAL CODES: BB=Brass NAB=Nickel Aluminum Bronze  
 S=304SS SS=316SS SSD=Duplex  
 SSL=316SS/Low Carbon SSLB=316SSL Block-Style Manifold

**Date Quote Needed** \_\_\_\_\_

**Qty Unit (s) Needed** \_\_\_\_\_

Sketch Provided  Drawing Requested

Requested By:

Company \_\_\_\_\_

Name \_\_\_\_\_

Address \_\_\_\_\_

\_\_\_\_\_

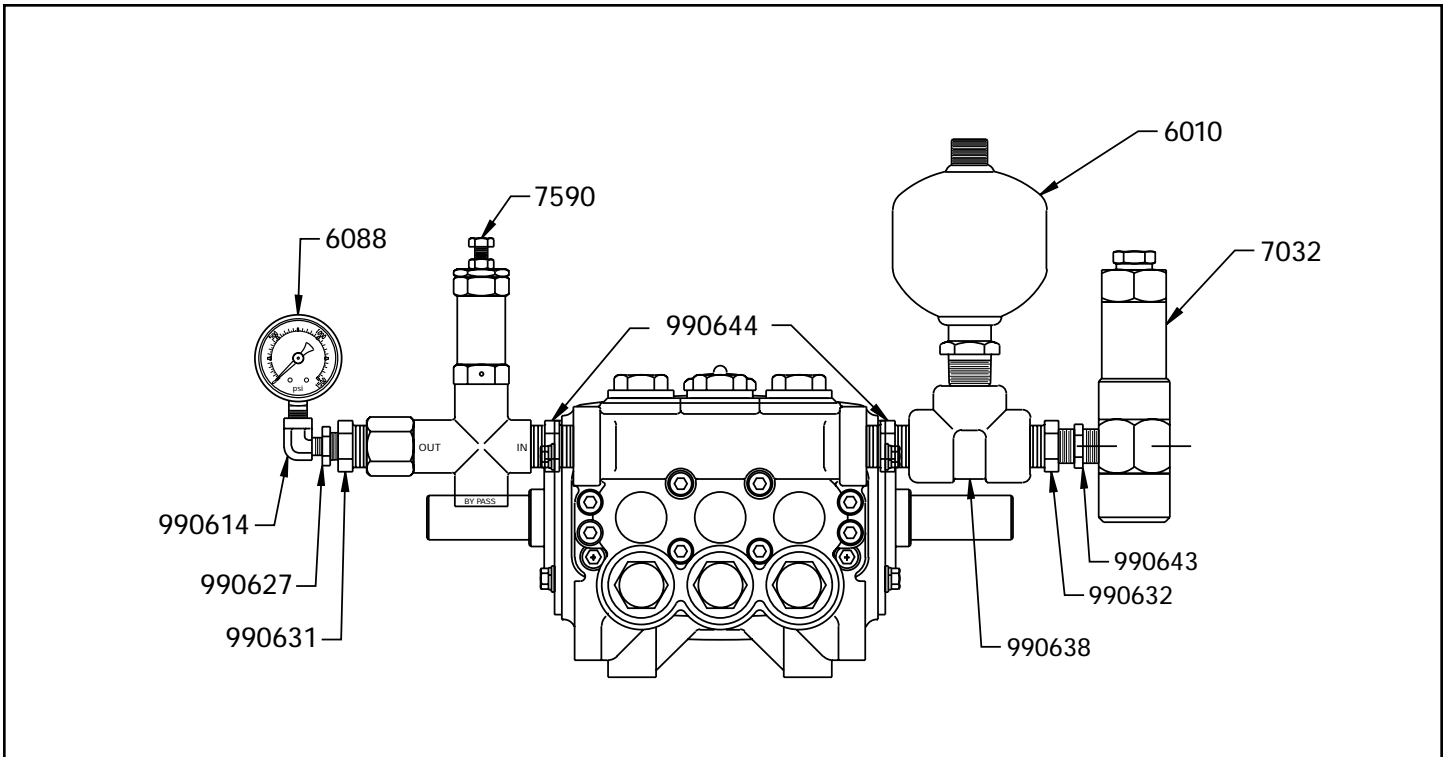
Phone \_\_\_\_\_

FAX \_\_\_\_\_

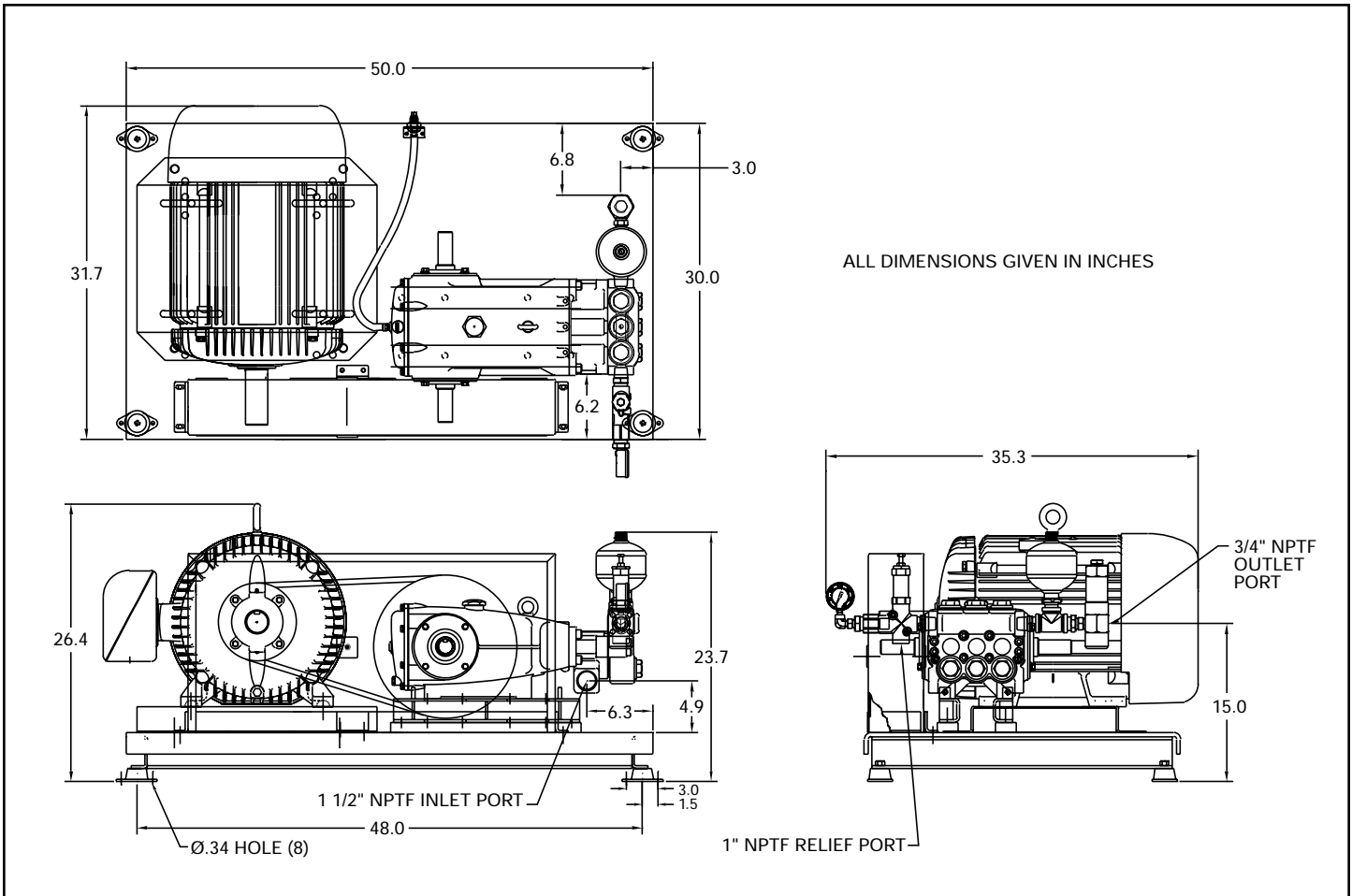
e-mail \_\_\_\_\_

Fax: 763-780-2958

E-mail: techsupport@catpumps.com



Typical plumbing view provided with each power unit showing part numbers and placement of system accessories and fittings (model 3535 shown).



Typical full system drawing is available upon request for an additional charge.

## Why buy a CAT PUMP Power Unit?

There are many reasons for buying a CAT PUMP Power Unit and there are many customized options. They eliminate the design, multiple source buying, fabrication and testing from your busy schedule. They are a high quality unit designed specifically for your client's application. They are backed by CAT PUMPS experience and reputation.

## What is a Power Unit?

Power units are customized pump assemblies. Each unit includes pump(s), system accessories and a rugged base. They are available as a single pump unit, multiple pump units, stacked unit or mobile with handle and wheels. Drive options include electric motor, hydraulic, gas or diesel engine.

The most common power unit is a horizontal base with sheave(s) and belt(s), electric motor and belt guard. The standard horizontal base is formed, heavy-gauge steel with a 2-mil epoxy finish. Belt guards are reinforced, 13-gauge flattened, expanded steel with 1/2" mesh for ventilation and safety. Both the base and guard can be customized to your paint specification or made of 304SS. Bolt-down leveling and vibration shock mounts and two-screw adjustable motor mounts for easy belt tension adjustment are both standard items. You tell us what you need customized and we will build to those specifications. Most units are typically delivered in 2-8 weeks depending on the level of customization.

## After Sale Support

Our technical team is available whenever you need them to support you with installation, operation or maintenance information. Each Power Unit comes with a custom owner's catalog that includes the data sheets for each component; pump service manual with maintenance diagnosis chart and plumbing view identifying how each component is plumbed into your system. You will find additional technical support at our web site under [FAQ](#) and [Service](#).

## You Define...We Design

We look forward to working with you on your next Power Unit. To secure a quotation, please enter all the requirements for your system on the Power Unit Quotation Checklist and submit to CAT PUMPS. If you prefer, you may also complete this form on-line.

[www.catpumps.com](http://www.catpumps.com)

### POWER UNITS

Submit Power Unit Quote Request

## Where are our Power Units operating?

- Ag Fertilizer/Pesticide Injection
- Airplane De-icing
- Arch Misting Systems
- Bakery Sanitizing
- Barnacle Removal
- Barrel Cleaning
- Boiler Feed
- Butter/Margarine Processing
- Central Cleaning Systems
- Compressor Cleaning
- Conveyor Cleaning
- Drain, Pipe, Sewer Cleaning
- Equestrian Misting
- Exposed Aggregate
- Fish Scale Removal
- Food Processing
- Glycol/Methanol Injection
- Golf Course Injection/Aeration
- Gypsum Cutting
- Ham, Chicken, Turkey Deboning
- Heavy Equipment Drive-thru Arch Cleaning
- Homogenization
- Hydraulic Powered Cleaner
- Hydro-evacuation
- Hydrostatic Testing
- Industrial Cleaning
- Label Removal
- Laser Cutting
- Laundry Moisture Extracting
- Lumber Humidity Control
- Machining Flushing and Cooling
- Mining Dust Suppression
- Mold and Casting Cleaning
- Moss and Mildew Treatment
- Odor Control
- Oil, Gas Process Systems
- Outdoor Cattle, Swine and Horse Cooling System
- Paint and Rust Removal
- Pesticide Injection
- Portable Rubber Remover
- Pulp and Paper
- Reclaim Vehicle Washing
- Seawater Reverse Osmosis
- Screen Cleaning
- Secondary Recovery
- Sewer and Pipe Cleaning
- Slaughter and Smoke House Cleaning
- Swimming Pool Cleaning
- Temperature Control - Hen Houses
- Train Washing
- Turbine Mist Cooling
- Waste Water Re-injection
- Wet Sandblasting
- Window Awning and Blind Cleaning
- Underground Boring
- Underground Tank Cleaning

Products described hereon are covered by one or more of the following U.S. patents 3558244, 3652188, 3809508, 3920356, 3930756 and 5035580

### World Headquarters

#### CAT PUMPS

1681 - 94th Lane N.E. Minneapolis, MN 55449-4324

Phone (763) 780-5440 — FAX (763) 780-2958

e-mail: [techsupport@catpumps.com](mailto:techsupport@catpumps.com)

[www.catpumps.com](http://www.catpumps.com)

### International Inquiries

FAX (763) 785-4329

e-mail: [intlsales@catpumps.com](mailto:intlsales@catpumps.com)



*The Pumps with Nine Lives*

### CAT PUMPS (U.K.) LTD.

1 Fleet Business Park, Sandy Lane, Church Crookham, Fleet

Hampshire GU52 8BF, England

Phone Fleet 44 1252-622031 — Fax 44 1252-626655

e-mail: [sales@catpumps.co.uk](mailto:sales@catpumps.co.uk)

### N.V. CAT PUMPS INTERNATIONAL S.A.

Heiveldekens 6A, 2550 Kontich, Belgium

Phone 32-3-450.71.50 — Fax 32-3-450.71.51

e-mail: [cpi@catpumps.be](mailto:cpi@catpumps.be) [www.catpumps.be](http://www.catpumps.be)

### CAT PUMPS DEUTSCHLAND GmbH

Buchwiese 2, D-65510 Idstein, Germany

Phone 49 6126-9303 0 — Fax 49 6126-9303 33

e-mail: [catpumps@t-online.de](mailto:catpumps@t-online.de) [www.catpumps.de](http://www.catpumps.de)