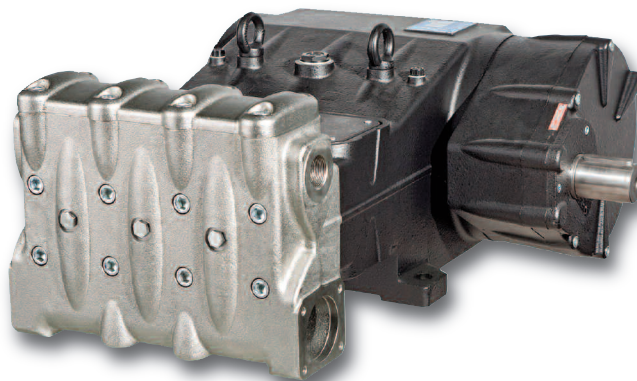


MK55/60/65 Series

FEATURES

- High pressure, Triplex Plunger Pump, available in 3 flows
- Low-high pressure packing design with integrated cooling system
- High volumetric efficiency suction/delivery valves featuring new spherical design of sealing areas
- Splash lubrication
- Available with external gear box in 1500/1800 RPM, positionable on left or right
- Includes drain/priming valve kit
- Gear Ratios: 1500 RPM=2.65:1, 1800=3.29:1



MATERIALS

- Pump body in cast iron
- Manifold made of spheroidal cast iron, nickel treated
- Self-adjusting spherical roller bearings on crankshaft
- Forged steel connecting rods with antifriction bearings
- Crankshaft made of nitrited, hardened and tempered alloy steel
- Cast iron plunger guides, nickel treated
- Solid ceramic plungers
- Stainless steel valves

COMMON SPECIFICATIONS

- Maximum Inlet Pressure: 45 PSI
- Maximum Fluid Temperature: *140° F
- Inlet Port Thread: 3" NPT-Flange
- Discharge Port Thread: 1-1/4" NPT-F
- Shaft Diameter (w/gearbox): 2.165"/55 mm
- Stroke: 2.835"/72 mm
- Pump Dimensions: 33.11" x 29.38" x 14.25"
- Crankcase Oil Capacity: 456.5 oz. (13.5 liters)
..... (use GP Series 220 Oil)
- Shipping Weight: 862 lbs./391 kg

Product Group: V

*Please consult technical guide or GP Sales Representative for Temperature/Inlet Pressure Information.

Note: All models come standard with crankshaft on right side (when facing manifold), specify "L" after part number when ordering left hand version.

MODEL	GPM/LPM	PSI/BAR	RPM	BORE	HP
MK55A	75.0 GPM/283 LPM	2900 PSI/200 BAR	1500/1800 RPM	2.165 in./55 mm	149
MK60A	90.0 GPM/340 LPM	2500 PSI/170 BAR	1500/1800 RPM	2.362 in./60 mm	152
MK65A	107.0 GPM/406 LPM	2175 PSI/150 BAR	1500/1800 RPM	2.559 in./65 mm	160

How to order/Examples of Part Numbers:

When ordering with gear box:



So the Part Number in the Above Example: **MK55A15L1**
 (Model is MK55A, with an RPM of 1500, gear box positioned on left side of pump, in the first position.)

PUMP OPTIONS

- "R" version suitable for recycled water and run dry applications
- SAE-J 744-D hollow shaft P.T.O. for direct mount hydraulic drive available



General Pump
 is a member of
 The Interpump Group



ACCESSORIES

REGULATORS

■ **R2**

61.0 GPM
3050 PSI



■ **RV3**

53.0-132.0
GPM
3050-4350 PSI



■ **PNR2**

61.0 GPM
3050 PSI



■ **PN3**

79.0-132.0 GPM
2350-4350 PSI



GUNS / LANCES

■ **ZP87SSL19/39/19S/39S**

15.85 GPM
8700 PSI



■ **YG7221/L31-YG7221/51**

21.0 GPM
7250 PSI



■ **YRL56L**

8.0 GPM
5650 PSI



SAFETY DEVICES

■ **SV2**

50.0 GPM
1450-8700PSI



■ **SX2**

50.0 GPM
1450-5899 PSI



■ **SV3**

132.0 GPM
2900-4350 PSI



■ **SX3**

132.0 GPM
2900-4350 PSI



PULSATION DAMPENERS

■ **A15**

105.6 GPM
4750 PSI



■ **A15X**

105.6 GPM
2150 PSI
316 SS



UNLOADERS

■ **RA2**

61.0 GPM
3050 PSI



■ **RA2L**

61.0 GPM
3050 PSI



■ **ZKBH3030**

29.0 GPM
3050 PSI



■ **PN2**

61.0 GPM
7250 PSI



MISCELLANEOUS

■ **32001/
32003**

3000/5000 PSI
Pressure
Gauge



■ **190600**

Priming
Drain
Valve Kit



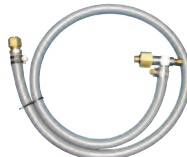
■ **639276**

125.0 GPM
50/297
Mesh/Micron
Filter



■ **190448**

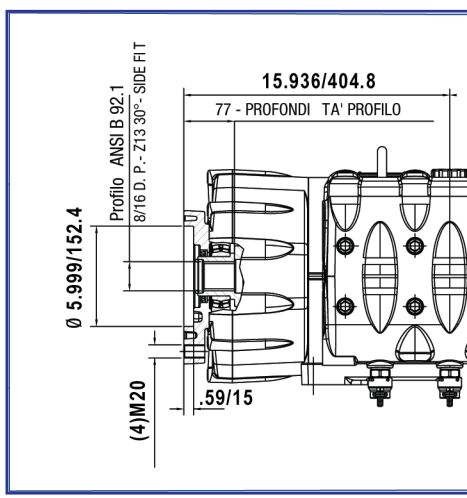
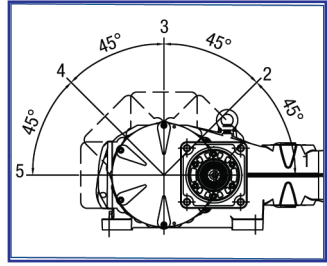
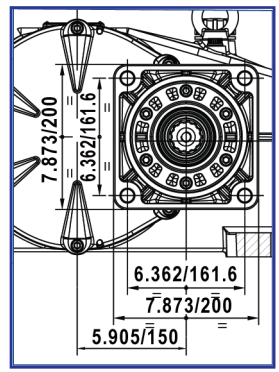
Oil Drain Kit



MK55/60/65 series

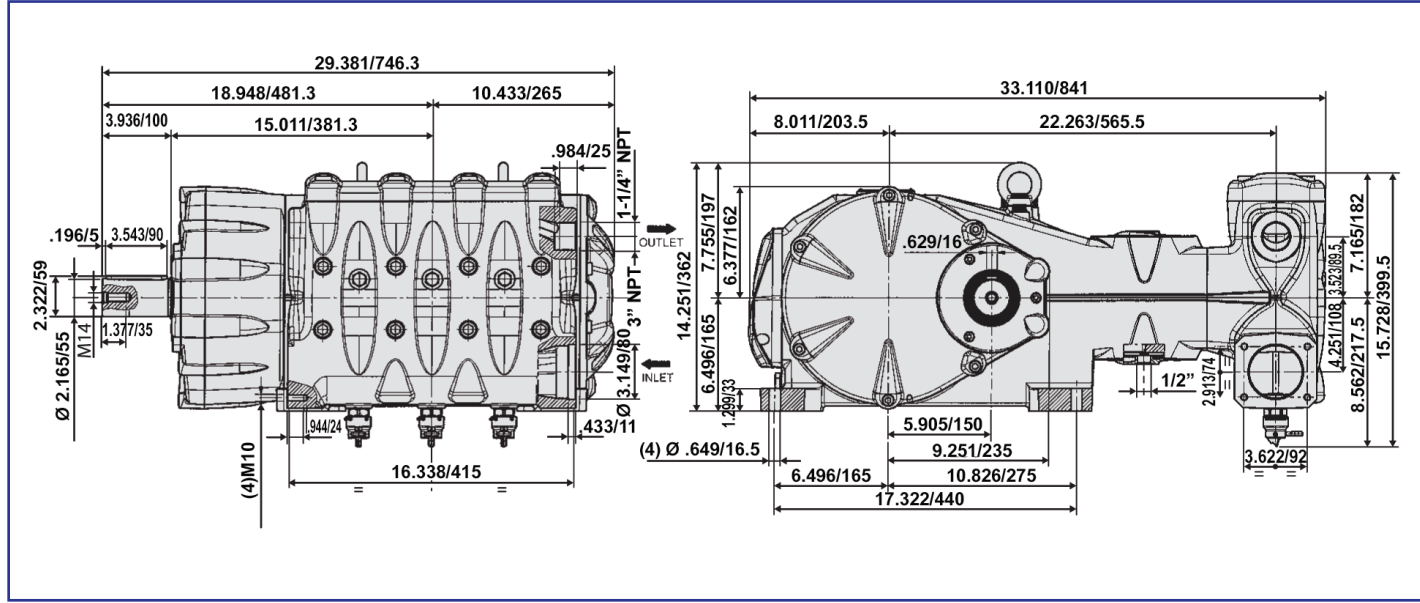
Technical Details

DRIVE OPTIONS

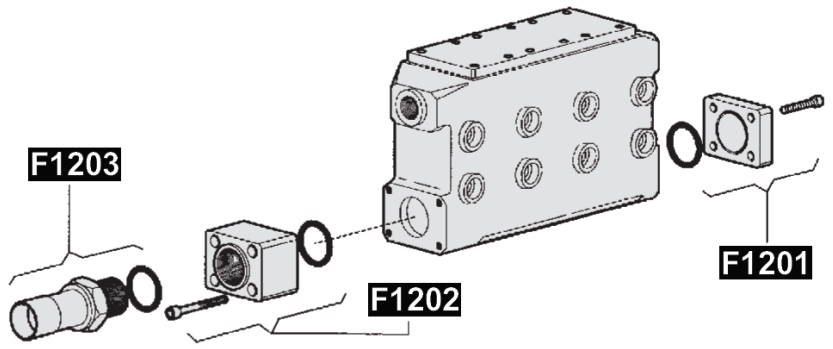


SAE-D hydraulic drive.

OVERALL DIMENSIONS



CONNECTION KITS



F1201	Closed Inlet Flange
F1299	Open Inlet Flange, 3" NPT
F1203	Inlet Hose Fitting, 90 mm

Note: Pump Includes the Following:
F1201 - Inlet Blank Flange
F1299 - 3" NPT-F Inlet Flange
Set of (3) F20030160 Priming/Drain Valves

Ref 300744 Rev A
10-11

