

FEATURES

- Triplex Plunger Pump, available in 6 flows
- Drive shaft with double projection
- Incorporated gear box available in three ratios, 1500 RPM=2.950:1, 1750 RPM=3.158:1 and 1900=3.389:1
- Double pressure packings
- Vertically fitted suction/delivery valves
- Splash lubrication
- Optional drain/priming valve kit

MATERIALS

- Pump body in cast iron
- Manifold made of spheroidal cast iron, nickel treated
- Self adjusting spherical roller bearings on crankshaft
- Forged connecting rods with antifriction bearings
- Crankshaft made of nitrited, hardened and tempered alloy steel
- Cast iron plunger guides, nickel nitrited
- Valves made in stainless steel and bronze

NEW!



LK50, 55, 60



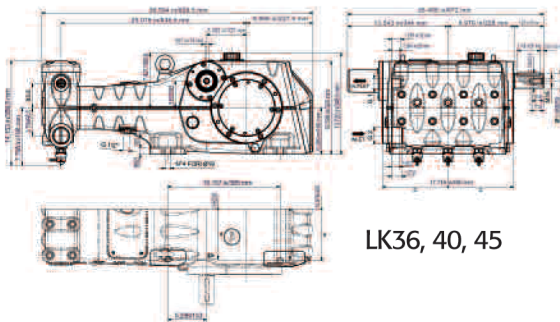
LK36, 40, 45

COMMON SPECIFICATIONS

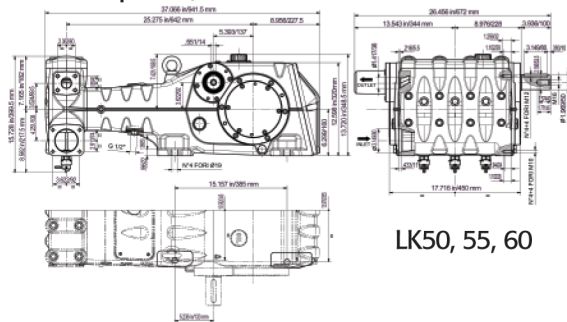
- Maximum Inlet Pressure: 45 PSI
- Maximum Fluid Temperature: *140° F
- Inlet Port Thread: (LK36, 40, 45) 2" NPT-F
(LK50, 55, 60) 3" NPT-F Flange
- Discharge Port Thread: (LK36, 40, 45) 1" NPT-F
(LK55, 55, 60) 1-1/4" NPT-F Flange
- Shaft Diameter: 1.969"/50 mm
- Stroke: 3.546"/90 mm
- Pump Dimensions: 36.4" x 26.4" x 13.7"
- Crankcase Oil Capacity: 473.5 oz/14 liters)
..... (use GP Series 220 Oil-see page 57)
- Shipping Weight:829 lbs./376 kg

Product Group: V

*Please consult technical guide or GP Sales Representative for Temperature/Inlet Pressure Information.



LK36, 40, 45



LK50, 55, 60

MODEL	GPM/LPM	PSI/BAR	RPM	BORE	EBHP
LK3615	37.0 GPM/140 LPM	5800 PSI/400 BAR	1500 RPM	1.417 in./36 mm	147
LK3617	40.1 GPM/152 LPM	5800 PSI/400 BAR	1750 RPM	1.417 in./36 mm	159
LK4015	45.7 GPM/173 LPM	5075 PSI/350 BAR	1500 RPM	1.575 in./40 mm	159
LK4017	49.6 GPM/188 LPM	5075 PSI/350 BAR	1750 RPM	1.575 in./40 mm	172
LK4515	57.6 GPM/218 LPM	4060 PSI/280 BAR	1500 RPM	1.772 in./45 mm	160
LK4517	62.8 GPM/238 LPM	4060 PSI/280 BAR	1750 RPM	1.772 in./45 mm	175
LK5015	71.0 GPM/269 LPM	3335 PSI/230 BAR	1500 RPM	1.969 in./50 mm	162
LK5017	77.6 GPM/294 LPM	3335 PSI/230 BAR	1750 RPM	1.969 in./50 mm	178
LK5515	86.1 GPM/326 LPM	2755 PSI/190 BAR	1500 RPM	2.165 in./55 mm	163
LK5517	93.7 GPM/355 LPM	2755 PSI/190 BAR	1750 RPM	2.165 in./55 mm	177
LK6015	102.4 GPM/388 LPM	2320 PSI/160 BAR	1500 RPM	2.362 in./60 mm	163
LK6017	111.7 GPM/423 LPM	2320 PSI/160 BAR	1750 RPM	2.362 in./60 mm	178

How to order/Examples of Part Numbers:

Start with Model

LK40

RPM (ex.: 15=1500 RPM)

15

So the Part Number in the Above Example: **LK4015** (Model is LH40, with an RPM of 1500.)

Please refer to pages 42-45 for fittings, safety devices and other accessories. Performances refer to theoretical delivery with 100% volumetric efficiency. Under normal operating conditions, pump volumetric efficiency is over 95%. Please contact our technical staff in case of continuous, heavy-duty, or special applications.