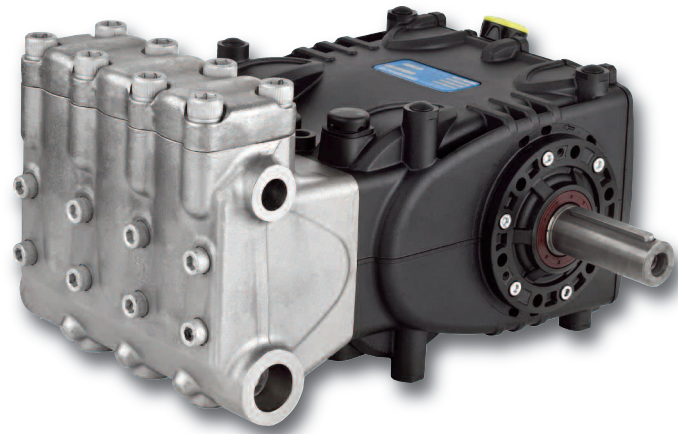


KT24A/28A/30A/32A Series

FEATURES

- High pressure, Triplex Plunger Pump, available in 4 flows
- Double pressure packings
- Pressure packing integrated cooling system
- Horizontally fitted in-line valves
- Splash lubrication
- SAE "B" hydraulic drive available



MATERIALS

- High resistance light alloy crankcase
- Cast iron manifold
- Tapered roller rim bearings
- Special anti-friction light alloy connecting rods
- Forged alloy steel crankshaft, hardened, tempered and nitrided
- Cast iron plunger guide, nickel treated
- Solid ceramic plungers
- Stainless steel valves

Product Group: V

COMMON SPECIFICATIONS

- Maximum Inlet Pressure: 45 PSI
- Minimum Inlet Pressure PSI
- Maximum Fluid Temperature: *140° F
- Inlet Port Thread: 1" NPT-F
- Discharge Port Thread: 1/2" NPT-F
- Shaft Diameter: 1.181" / 30 mm
- Stroke: 1.102"/26 mm
- Pump Dimensions: 15.55"L x 13.4"W x 8.35"H
- Crankcase Oil Capacity: 67.6 oz. (2 liters)
..... (use GP Series 220 Oil)
- Shipping Weight: 100 lbs./40 kg

***Please consult technical guide or GP Sales Representative for Temperature/Inlet Pressure Information.**

MODEL	GPM/LPM	PSI/BAR	RPM	BORE	HP
KT24A	16.4 GPM/62 LPM	2900 PSI/200 BAR	1750 RPM	.845 in./24 mm	32
KT28A	22.2 GPM/84 LPM	2540 PSI/175 BAR	1750 RPM	1.102 in./28 mm	38
KT30A	25.4 GPM/96 LPM	2175 PSI/150 BAR	1750 RPM	1.181 in./30 mm	37
KT32A	29.1 GPM/110 LPM	1750 PSI/120 BAR	1750 RPM	1.259 in./32 mm	34

Volumes are theoretical at 100% volumetric efficiency.



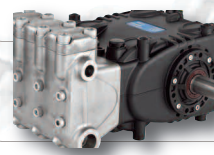
General Pump
is a member of
The Interpump Group

Ref 300916 Rev A
02-13



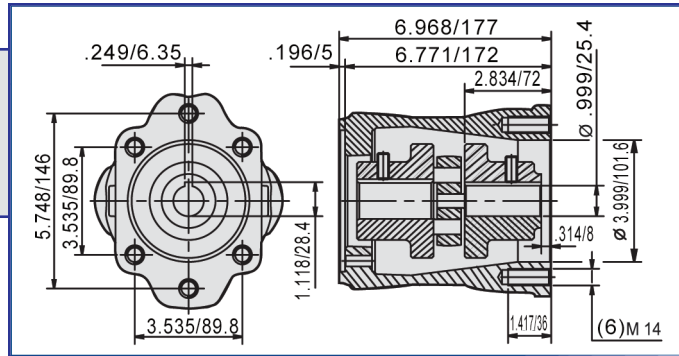
KT24A/28A/30A/32A series

Technical Details



DRIVE OPTIONS

SAE-J 744-B hydraulic bell housing and flexible coupler.



OVERALL DIMENSIONS

