



- Pneumatics in miniature
- Compact assembly
- Ready for installation
- Resistant to corrosion

Round cylinders EG

Key features and type code



Pneumatic cylinders in miniature design

- The slim design makes these cylinders especially suitable for compact multiple assemblies, e.g. in keyboard testing systems.
- Single-acting
- Minimal weight: 2 to 20 g
- Ready for installation
- Resistant to corrosion
- Barbed fitting connection for plastic tubing with standard ID

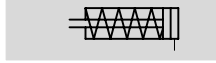
		EG	2.5	5	PK2
Type					
Single-acting					
EG	Round cylinder				
Piston area [mm]					
Stroke [mm]					
Pneumatic connection					
PK-2	Barbed fitting for 2 mm plastic tubing				
PK-3	Barbed fitting for 3 mm plastic tubing				

Round cylinders EG

FESTO

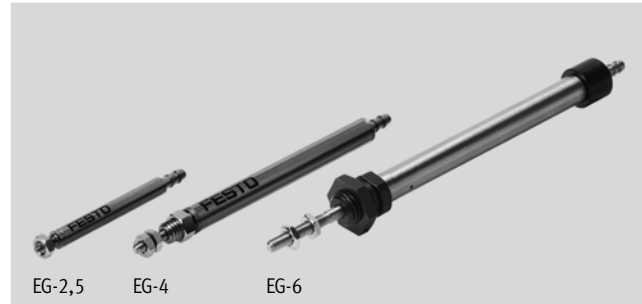
Technical data

Function



⌀ - Diameter
2.5 ... 6 mm

┆ - Stroke length
5 ... 25 mm



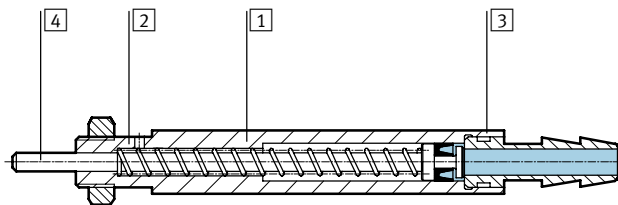
General technical data			
Piston Ø	2.5	4	6
Pneumatic connection	Barbed fitting for 2 mm plastic tubing		Barbed fitting for 3 mm plastic tubing
Piston rod thread	Plain rod Ø 1	M2	M3
Operating medium	Filtered compressed air, lubricated or unlubricated		
Constructional design	Piston		
	Piston rod		
Cushioning	No	Non-adjustable at both ends	
Position sensing	No		
Type of mounting	Via hex nut		
Mounting position	Any		

Operating and environmental conditions			
Piston Ø	2.5	4	6
Operating pressure [bar]	3.5 ... 7		
Temperature range [°C]	+5 ... +60		

Forces [N]												
Piston Ø	2.5			4				6				
Stroke	5	10		5	10	15	20	5	10	15	20	25
Theoretical force at 6 bar, advancing	1.7			6				14				
Spring return force	min.	0.6		1.5		1.8	1.5	4.2	3.1	2.0	3.1	2.6
	max.	1.2		2.9		2.6		5.3				

Materials

Sectional view



Materials			
Piston Ø	2.5	4	6
1	Cylinder barrel	Nickel-plated brass	High-alloy steel
2	Bearing cap	Nickel-plated bronze	
3	End cap	-	
4	Piston rod	High-alloy steel	
-	Seals	Nitrile rubber	

Cylinders with piston rods
Miniature cylinders

2.6

Round cylinders EG

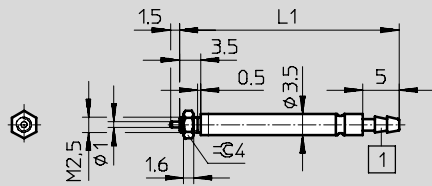
Technical data

FESTO

Dimensions and ordering data

Download CAD data → www.festo.com/en/engineering

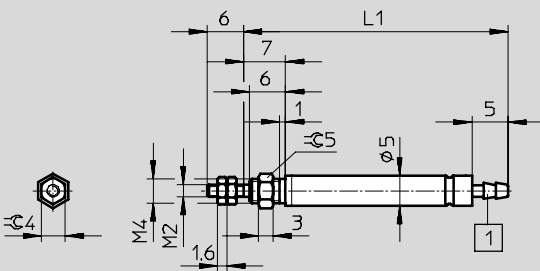
Piston Ø 2.5 mm



1 Barbed fitting for 2 mm plastic tubing with standard ID

Ø	Stroke	L1	Weight	Part No.	Type
[mm]	[mm]		[g]		
2.5	5	27.5	2	15 883	EG-2,5-5-PK-2
	10	36.5	3	15 884	EG-2,5-10-PK-2

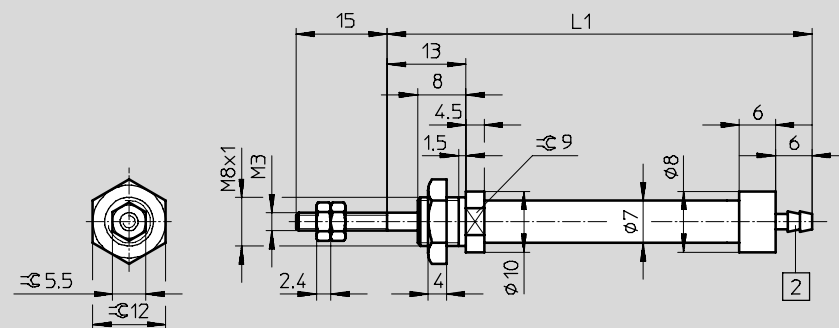
Piston Ø 4 mm



1 Barbed fitting for 2 mm plastic tubing with standard ID

Ø	Stroke	L1	Weight	Part No.	Type
[mm]	[mm]		[g]		
4	5	35	4	15 885	EG-4-5-PK-2
	10	44	5	15 886	EG-4-10-PK-2
	15	53	5	15 887	EG-4-15-PK-2
	20	58	6	15 888	EG-4-20-PK-2

Piston Ø 6 mm



2 Barbed fitting for 3 mm plastic tubing with standard ID

Ø	Stroke	L1	Weight	Part No.	Type
[mm]	[mm]		[g]		
6	5	60	10	15 891	EG-6-5-PK-3
	10	65	12	15 892	EG-6-10-PK-3
	15	70	15	15 893	EG-6-15-PK-3
	20	87	18	15 894	EG-6-20-PK-3
	25	92	20	15 895	EG-6-25-PK-3