



35 Green St.
Malden, MA 02148
www.asahi-america.com
Phone: 781-321-5409
Fax: 781-321-4421
Email: asahi@asahi-america.com

-Thermoplastic Valves & Actuators
-High Purity Piping Systems
-Wet Process Systems
-Environmental & Industrial Piping

6/01/07

To our valued distributor,

We are pleased to expand the offerings of our New Extended Leg 90 Degree Elbows in all product lines. First introduced to the Purad PVDF product line, the Extended Leg Elbows are now available in PolyPure PP-natural and Proline PP.

The Extended Leg Elbow has many new advantages including improved flow characteristics with reduced pressure loss and easily adjustable spigot length. The Extended Leg Elbow is available in PolyPure PPn (½" to 4"), Proline PP – Pro150 (SDR11) (½" to 8"), and Purad PVDF in sizes ½" to 4" .

Please note there will be NO CHANGES in 10" – 20" Pro150 (SDR11) and 4" – 20" Pro45 (SDR33) style elbows.

Attached find the product dimensions and list pricing for each style of Extended Leg Elbows. Asahi/America, Inc. will no longer provide the previous short style sweep 90 degree elbow in these same SDR ratings.

If you have any questions don't hesitate to contact us.

Best Regards,

Adam Herbert

Adam Herbert
High Purity Product Manager
Asahi/America, Inc.
781-321-5409
aherbert@asahi-america.com

Jim Leary

Jim Leary
Product Manager
Asahi/America
781-388-4581
jleary@asahi-america.com



Asahi/America Product Bulletin

EXTENDED LEG 90° ELBOW

Injection molded bend with long spigots available in PE100, PP, PVDF, ECTFE, PVDF UHP, PP-natural & PP Pure

New Improvement on an Old Part

Asahi/America, Inc. is pleased to introduce our new Extended Leg 90° Elbow as the standard offering in SDR11 pressure rating up to 8". Our advanced molding technique produced a long spigot elbow with a smooth transition from the bend. The adaptable Extended Leg Elbow has many advantages including improved flow characteristics and lower pressure resistance. The Extended Leg Elbow is available in sizes 1/2" (20mm) through 8" (225mm).

The new part number series is 5007xxx. The previous number 5004xxx is now obsolete in sizes up to 8".

An Elbow with Many Advantages:

Only component to offer free choice of welding method combined with an up to 30% lower flow resistance.

Excellent Pressure Resistance

The improved molding quality combines excellent pressure resistance with a maximum of safety.

Universal to Weld for Butt and Electro-Fusion

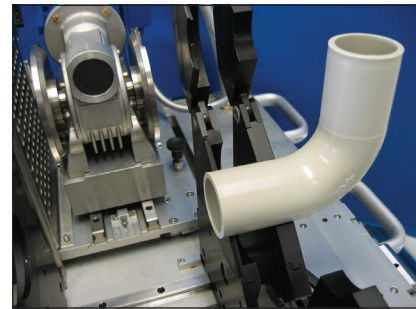
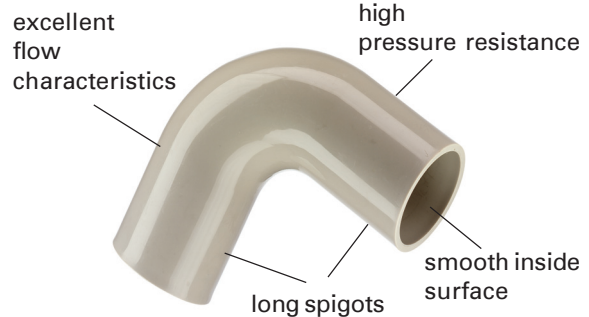
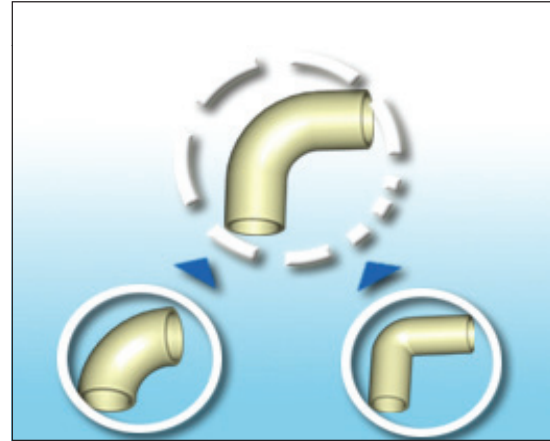
For Butt and IR welding an ideal clamping position is necessary. As a result of the longer spigots a double clamping position is achieved. This provides a stable and even welding position.

Homogeneous Inside Surface

Due to special design of the molding tools an absolutely homogeneous inside surface is reached. This is the reason for excellent flow characteristics and reduced friction losses.

Improved Flow Characteristics

Lower pressure drop and optimum flow characteristics are important for applications transporting high purity water or aggressive chemicals.



Butt-welding or Electro-fusion welding



Please consult factory for pricing

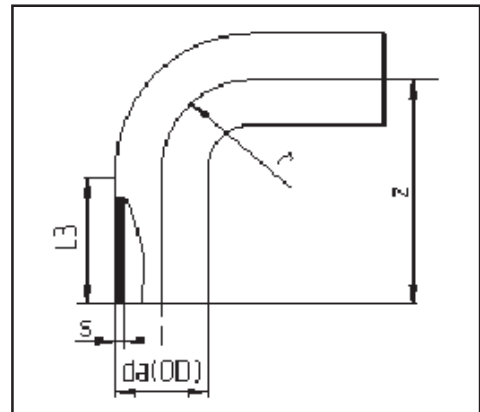
New Design!

Easy to Work With!

Proline 150

New Extended Leg 90°

- IR/Butt Fusion
- Molded



Proline Polypropylene

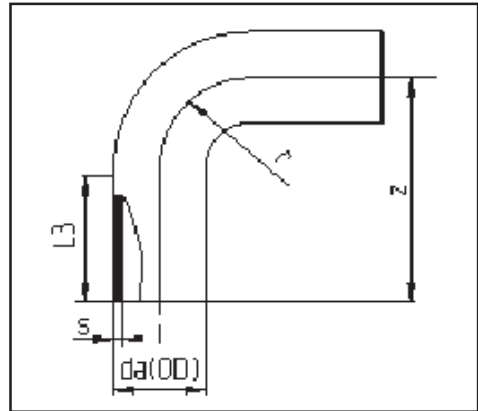
OD		Dimensions		PN 10/ ISO S-5/ SDR 11				
(MM)	(Inch)	r	z	l3	Agru Code	Asahi Part #	s	Weight (lbs)
20	1/2"	0.787	2.323	1.457	11.068.0020.11	5007005	0.075	0.02
25	3/4"	0.984	2.618	1.535	11.068.0025.11	5007007	0.091	0.02
32	1"	1.260	3.091	1.732	11.068.0032.11	5007010	0.114	0.04
40	1 1/4"	1.575	3.602	1.929	11.068.0040.11	5007012	0.146	0.07
50	1 1/2"	1.969	4.213	2.205	11.068.0050.11	5007015	0.181	0.22
63	2"	2.480	5.000	2.520	11.068.0063.11	5007020	0.228	0.33
75	2 1/2"	2.952	5.826	2.834	11.068.0075.11	5007025	0.267	0.49
90	3"	3.543	6.535	2.953	11.068.0090.11	5007030	0.323	0.75
110	4"	4.331	7.421	2.953	11.068.0110.11	5007040	0.394	1.37
125	5"	4.921	8.405	3.346	11.068.0125.11	5007050	0.448	3.25
160	6"	6.299	10.019	3.543	11.068.0160.11	5007060	0.574	3.75
200	8"	7.873	12.303	4.251	11.068.0200.11	5007080	0.716	7.19

Updated 6/1/07

PolyPure

New Extended Leg 90°

- IR/Butt Fusion
- Molded



PolyPure, Natural Polypropylene

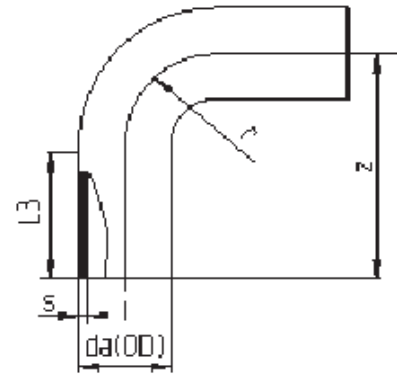
OD		Dimensions		PN 10/ ISO S-5/ SDR 11				
(MM)	(Inch)	r	z	l3	Agru Code	Asahi Part #	s	Weight (lbs)
20	½"	0.787	2.323	1.457	16.068.0020.11	6302005	0.075	0.02
25	¾"	0.984	2.618	1.535	16.068.0025.11	6302007	0.091	0.04
32	1"	1.260	3.091	1.732	16.068.0032.11	6302010	0.114	0.09
40	1¼"	1.575	3.602	1.929	16.068.0040.11	6302012	0.146	0.18
50	1½"	1.969	4.213	2.205	16.068.0050.11	6302015	0.181	0.31
63	2"	2.480	5.000	2.520	16.068.0063.11	6302020	0.228	0.57
90	3"	3.543	6.535	2.953	16.068.0090.11	6302030	0.323	1.50
110	4"	4.331	7.421	2.953	16.068.0110.11	6302040	0.394	2.07

Updated 6/1/07
28

Purad PVDF

New Extended Leg 90

- IR/Butt Fusion
- Molded



Purad High Purity PVDF System

OD		Dimensions		PN 10/ S 16/ SDR 33					PN 16/ S 10/ SDR 21			
(MM)	(Inch)	r	z	l3	Agru Code	Asahi Part #	s	Weight (lbs)	Agru Code	Asahi Part #	s	Weight (lbs)
20	½"	0.787	2.008	1.299	-	-	-	-	068.0020.21	5402005	0.075	0.03
25	¾"	0.984	2.205	1.299	-	-	-	-	068.0025.21	5402007	0.075	0.04
32	1"	1.260	2.480	1.299	-	-	-	-	068.0032.21	5402010	0.094	0.06
40	1¼"	1.575	2.835	1.417	-	-	-	-	068.0040.21	5402012	0.094	0.08
50	1½"	1.968	3.307	1.417	-	-	-	-	068.0050.21	5402015	0.118	0.14
63	2"	2.480	3.819	1.378	-	-	-	-	068.0063.21	5402020	0.118	0.21
73	2 1/2"	2.953	3.937	0.984	-	-	-	-	068.0075.21	5402025	0.142	0.31
90	3"	3.543	4.843	1.181	068.0090.33	5429030	0.110	0.39	068.0090.21	5402030	0.169	0.54
110	4"	4.331	5.630	1.181	068.0110.33	5429040	0.134	0.48	068.0110.21	5402040	0.209	0.97

Updated 6/1/07



New Extended Leg Style

90° ELBOWS

SIZE	CHEMICAL GRADE				HP	
	SDR 11 / PN 10		SDR 32 / PN 3.2		SDR 11 / PN 10	
	PRO 150		PRO 45		PRO 150	
	STD		STD		STD	
	PART #	STD.	PART #	STD.	PART #	STD.
1/2"	5007005	7.30	-	-	9904005	14.10
3/4"	5007007	7.60	-	-	9904007	14.60
1"	5007010	7.90	-	-	9904010	15.00
1 1/4"	5007012	10.20	-	-	9904012	15.70
1 1/2"	5007015	12.80	-	-	9904015	19.70
2"	5007020	18.40	-	-	9904020	28.20
2 1/2"	5007025	-	-	-	9904025	38.80
3"	5007030	36.80	-	-	9904030	56.50
4"	5007040	70.10	5105040	35.10	9904040	107.50
6"	5007060	160.90	5105060	67.00	9904060	246.50
8"	5007080	283.90	5105080	98.70	9904080	348.40
10"	5041100	489.50	5105100	152.50	9904100	799.00
12"	5041120	880.40	5105120	268.20	9904120	1435.30
14"	5041140	1288.50	5105140	717.70	9904140	N/A
16"	5041160	1768.90	5105160	1003.10	9904160	N/A



TEE

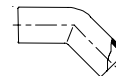
SIZE	CHEMICAL GRADE						HP			
	SDR 11 / PN 10		SDR 32 / PN 3.2		SDR 11 / PN 10		SDR 11 / PN 10		SDR 11 / PN 10	
	PRO 150		PRO 45		PRO 150		PRO 150		PRO 150	
	STD		STD		EXT LEG		STD		EXT LEG	
	PART #	PRICE	PART #	PRICE	PART #	PRICE	PART #	PRICE	PART #	PRICE
1/2"	5011005	4.20	-	-	5012005	8.20	9911005	11.20	9912005	21.00
3/4"	5011007	4.40	-	-	5012007	9.50	9911007	11.20	9912007	24.10
1"	5011010	5.60	-	-	5012010	11.30	9911010	14.10	9912010	28.80
1 1/4"	5011012	9.20	-	-	-	N/A	9911012	17.80	-	N/A
1 1/2"	5011015	12.60	-	-	-	N/A	9911015	24.20	-	N/A
2"	5011020	18.20	-	-	-	N/A	9911020	37.50	-	N/A
2 1/2"	5011025	37.00	-	-	-	N/A	9911025	75.70	-	N/A
3"	5011030	52.30	-	-	-	N/A	9911030	112.90	-	N/A
4"	5011040	77.00	5109040	46.10	-	N/A	9911040	165.00	-	N/A
6"	5011060	254.50	5109060	105.10	-	N/A	9911060	486.10	-	N/A
8"	5011080	392.00	5109080	153.60	-	N/A	9911080	715.30	-	N/A
10"	5011100	764.70	5109100	444.90	-	N/A	9911100	1081.10	-	N/A
12"	5011120	1276.00	5109120	715.30	-	N/A	9911120	2078.40	-	N/A
14"	5011140	1491.50	5109140	1000.90	-	N/A	9911124	N/A	-	N/A
16"	5011160	2225.20	5109160	1467.30	-	N/A	9911160	N/A	-	N/A



PIPE

Ø (SIZE)		PART NUMBER	LIST
[mm]	[inch]		
20	1/2	6301005	\$ 10.40
25	3/4	6301007	\$ 14.20
32	1	6301010	\$ 19.80
40	1 1/4	6301012	\$ 30.60
50	1 1/2	6301015	\$ 47.30
63	2	6301020	\$ 74.90
90	3	6301030	\$ 145.90
110	4	6301040	\$ 217.50

1/2" Sold in Qty's of 5, 3/4" in Qty's of 4, 1" Qty's of 3
Sold in 5m Lengths Only (5m = 16.4ft)



45 ELBOW

Ø (SIZE)		PART NUMBER	LIST
[mm]	[inch]		
20	1/2	6314005	\$ 8.20
25	3/4	6314007	\$ 8.80
32	1	6314010	\$ 10.60
40	1 1/4	6314012	\$ 12.50
50	1 1/2	6314015	\$ 14.10
63	2	6314020	\$ 25.80
90	3	6314030	\$ 40.20
110	4	6314040	\$ 77.20



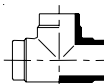
NEW! 90 EXTENDED LEG ELBOW

Ø (SIZE)		PART NUMBER	LIST
[mm]	[inch]		
20	1/2	6302005	\$ 5.40
25	3/4	6302007	\$ 5.70
32	1	6302010	\$ 5.80
40	1 1/4	6302012	\$ 7.20
50	1 1/2	6302015	\$ 9.00
63	2	6302020	\$ 12.90
90	3	6302030	\$ 25.70
110	4	6302040	\$ 49.00



ANSI STUB ENDS

Ø (SIZE)		PART NUMBER	LIST
[mm]	[inch]		
20	1/2	6318005	\$ 4.80
25	3/4	6318007	\$ 4.80
32	1	6318010	\$ 5.60
40	1 1/4	6318012	\$ 6.30
50	1 1/2	6318015	\$ 7.70
63	2	6318020	\$ 9.60
90	3	6318030	\$ 16.30
110	4	6318040	\$ 21.00



Tee

Ø (SIZE)		STD		EXT. LEG	
[mm]	[inch]	PART NUMBER	LIST	PART NUMBER	LIST
20	1/2	6318005	\$ 4.20	6319005	\$ 4.20
25	3/4	6318007	\$ 4.20	6319007	\$ 4.20
32	1	6318010	\$ 5.30	6319010	\$ 5.30
40	1 1/4	6318012	\$ 7.80	-	-
50	1 1/2	6318015	\$ 10.60	-	-
63	2	6318020	\$ 16.50	-	-
90	3	6318030	\$ 49.50	-	-
110	4	6318040	\$ 72.70	-	-



ANSI PP BACKING RINGS

Ø (SIZE)		PART NUMBER	LIST
[mm]	[inch]		
20	1/2	5046005	\$ 17.10
25	3/4	5046007	\$ 19.40
32	1	5046010	\$ 25.50
40	1 1/4	5046012	\$ 30.10
50	1 1/2	5046015	\$ 32.10
63	2	5046020	\$ 38.10
90	3	5046030	\$ 50.00
110	4	5046040	\$ 64.40

PURAD WELDING METHOD: BUTT FUSION, IR PVDF



New Extended Leg Style

90°ELBOW

SIZE	HP				GENERAL			
	SDR 33/PN 10 150 PSI		SDR 21/PN 16 230 PSI		SDR 33/PN 10 150 PSI		SDR 21/PN 16 230 PSI	
	PART #	PRICE	PART #	PRICE	PART #	PRICE	PART #	PRICE
1/2"	-	-	5402005	\$ 9.70	-	-	5902005	\$ 8.80
3/4"	-	-	5402007	\$ 13.10	-	-	5902007	\$ 11.90
1"	-	-	5402010	\$ 25.60	-	-	5902010	\$ 23.30
1 1/4"	-	-	5402012	\$ 40.30	-	-	5902012	\$ 36.60
1 1/2"	-	-	5402015	\$ 61.00	-	-	5902015	\$ 55.40
2"	-	-	5402020	\$ 102.70	-	-	5902020	\$ 93.40
2 1/2"	-	-	5402025	\$ 174.80	-	-	5902025	\$ 159.00
3"	5429030	\$ 237.40	5402030	\$ 291.30	5929030	\$ 215.80	5902030	\$ 264.80
4"	5429040	\$ 319.90	5402040	\$ 436.90	5929040	\$ 290.80	5902040	\$ 397.20



Short Sweep Style

90°ELBOW

SIZE	HP				GENERAL			
	SDR 33/PN 10 150 PSI		SDR 21/PN 16 230 PSI		SDR 33/PN 10 150 PSI		SDR 21/PN 16 230 PSI	
	PART #	PRICE	PART #	PRICE	PART #	PRICE	PART #	PRICE
6"	5407060	\$ 678.80	5410060	\$ 995.60	5907060	\$ 611.00	5910060	\$ 895.50
8"	5407080	\$ 950.40	5410080	\$ 1,607.70	5907080	\$ 856.20	5910080	\$ 1,447.00
9"	5407090	\$ 1,083.70	5410090	POA	5907090	\$ 976.50	5910090	POA
10"	5407100	\$ 1,392.10	5410100	POA	5907100	\$ 1,254.10	5910100	POA
12"*	5407120	POA	-	-	5907120	POA	N/A	N/A

* Butt fusion only

POA - Please consult factory for availability