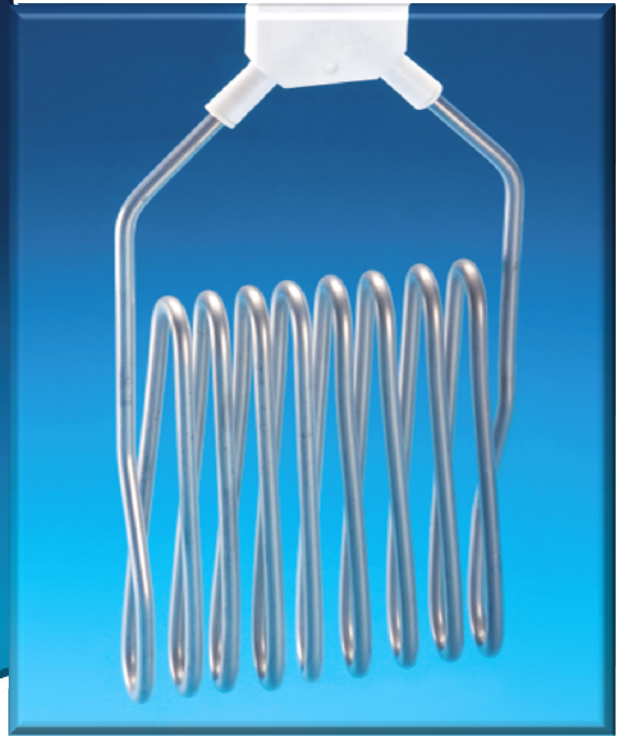
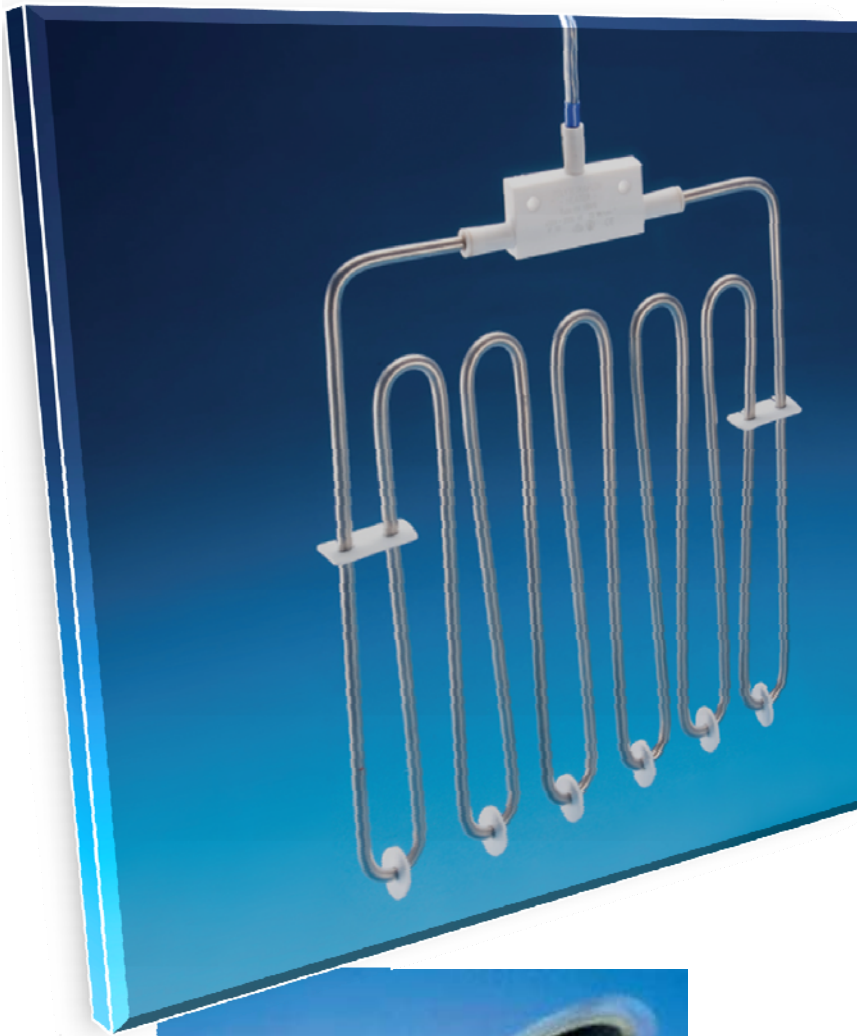


POLYTETRA

Electric Heaters

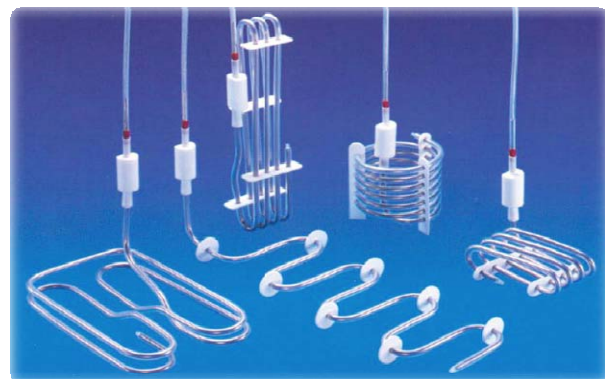
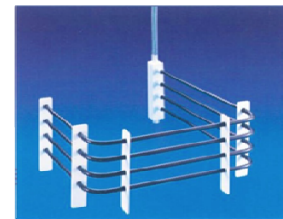
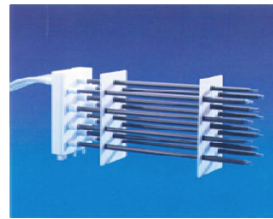
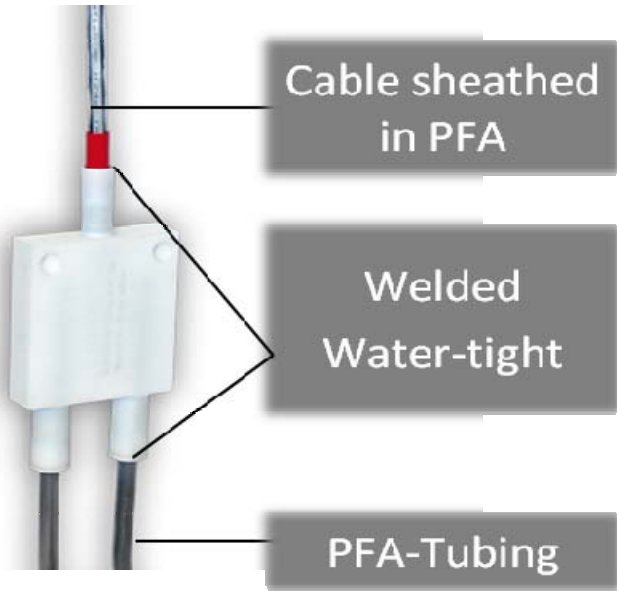
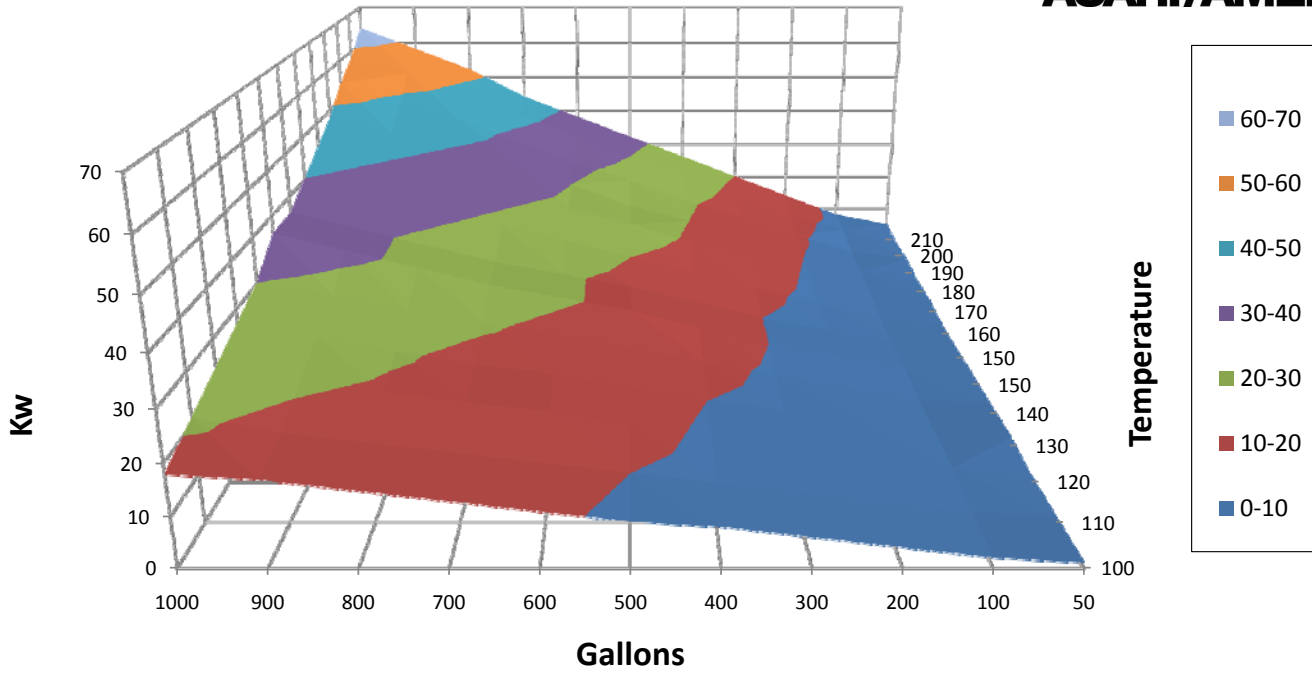
May 2010



Graphite Coax Sheathing

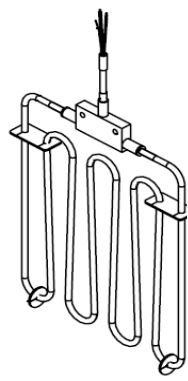


Electric Heater Sizing Recommendation

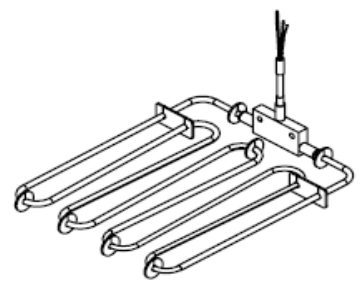




Type PH1.00 Part Numbers	Type PH1.01 Part Numbers	Continuous	Load	Voltage
810010230	810110230	1000W	1.0w/cm ²	230
810010400	810110400			400
810010480	810110480			480
810010600	810110600			600
810015230	810115230	1500W	1.5w/cm ²	230
810015400	810115400			400
810015480	810115480			480
810015600	810115600			600
810020230	810120230	2000W	2.2w/cm ²	230
810020400	810120400			400
810020480	810120480			480
810020575	810120575			575
810020600	810120600			600



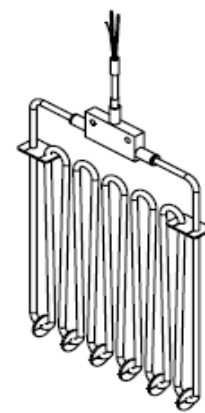
PH1.00



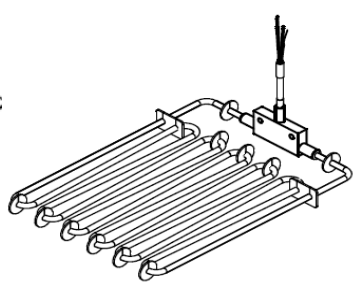
PH1.01

Approx 15" w x 20" h
5' cable

Type PH1.08 Part Numbers	Type PH1.09 Part Numbers	Continuous	Load	Voltage
810807230	-	700W	0.5w/cm ²	230
810807400	-			400
810807480	-			480
810807575	-			575
810807600	-			600
810815230	810915230	1500W	1.0w/cm ²	230
810815400	810915400			400
810815480	810915480			480
810815600	810915600			600
810820230	810920230	2000W	1.5w/cm ²	230
810820400	810920400			400
810820480	810920480			480
810820600	810920600			600
810830230	810930230	3000W	2.2w/cm ²	230
810830400	810930400			400
810830480	810930480			480
810830575	810930575			575
810830600	810930600			600



PH1.08



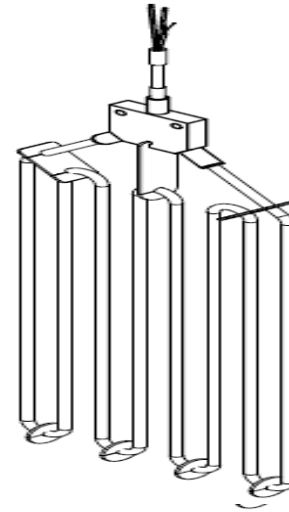
PH1.09

Approx 15" w x 20" h
5' cable

Description	Notes
Standard	PFA sheathing
Coex	Graphite/PFA coextruded sheathing
+ 3' Cable	per meter, max 5 meters
FeCuNi Prep	per thermocontrol preparation



Type PH2.01 Part Number	Continuous	Load	Voltage
820107230	700W	0.5w/cm ²	230
820107400			400
820107480			480
820107600			600
820115230	1500W	1.0w/cm ²	230
820115400			400
820115480			480
820115600			600
820120230	2000W	1.5w/cm ²	230
820120400			400
820120480			480
820120600			600
820130230	3000W	2.2w/cm ²	230
820130400			400
820130480			480
820130600			600

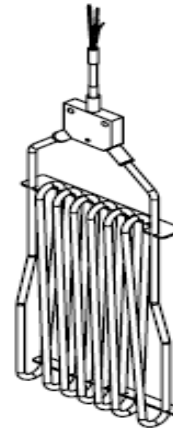


PH2.01

*Approx 12"w x 40"h
5' cable*

Description	Notes
Standard	PFA sheathing
Coex	Graphite/PFA coextruded sheathing
+ 3' Cable	per meter, max 5 meters
FeCuNi Prep	per thermocontrol preparation

Type PH2.02 Part Number	Continuous	Load	Voltage
820140230	4000W	2.2w/cm ²	230
820140400			400
820140480			480
820140600			600

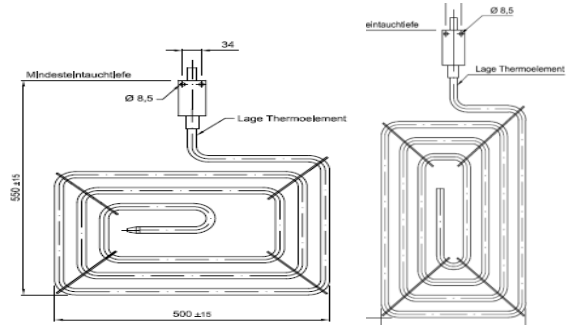


PH2.02

*Approx 12"w x 26"h
5' cable*

Description	Notes
Standard	PFA sheathing
Coex	Graphite/PFA coextruded sheathing
+ 3' Cable	per meter, max 5 meters
FeCuNi Prep	per thermocontrol preparation

Type PH4.04 Part Numbers	Type PH4.05 Part Numbers	Continuous	Load	Voltage
840425400 840425480	840525400 840525480	2500W	1.5w/cm ²	400 480
840440400 840440480	840540400 840540480	4000W	2.2w/cm ²	400 480

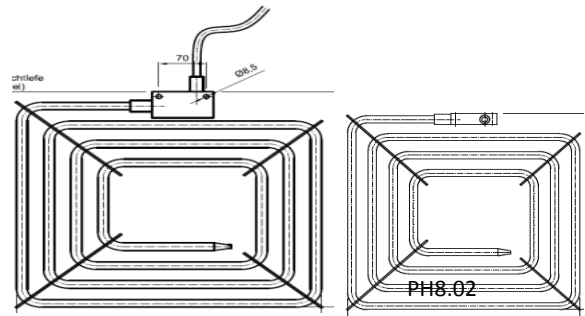


PH4.04

PH4.05

Approx 20" w x 22" h
6.5' cable

Type PH8.01 Part Numbers	Type PH8.02 Part Numbers	Continuous	Load	Voltage
880120400 880120480	880220400 880220480	2000W	1.0w/cm ²	400 480
880125400 880125480	880225400 880225480	2500W	1.5w/cm ²	400 480
880130400 880130480	880230400 880230480	3000W	2.2w/cm ²	400 480
880140400 880140480	880240400 880240480	4000W	2.2w/cm ²	400 480



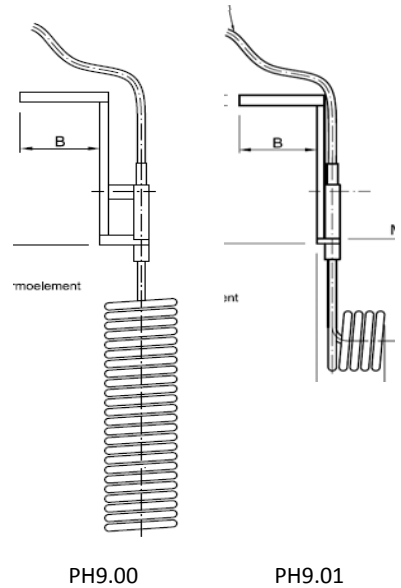
PH8.01

PH8.02

Approx 18" w x 18" h
6.5' cable

Description	Notes
Standard	PFA sheathing
Coex	Graphite/PFA coextruded sheathing
+ 3' Cable	per meter, max 5 meters
FeCuNi Prep	per thermocontrol preparation

Type PH9.00 Part Numbers	Type PH9.01 Part Numbers	Continuous	Load	Voltage
890005230	890105230	500W	2.2w/cm ²	230
890005400	890105400			400
890005480	890105480			480
890010230	890110230	1000W	2.2w/cm ²	230
890010400	890110400			400
890010480	890110480			480
890015230	890115230	1500W	1.0w/cm ²	230
890015400	890115400			400
890015480	890115480			480
890020230	890120230	2000W	2.2w/cm ²	230
890020400	890120400			400
890020480	890120480			480
890025230	890125230	2500W	2.2w/cm ²	230
890025400	890125400			400
890025480	890125480			480
890030230	890130230	3000W	2.2w/cm ²	230
890030400	890130400			400
890030480	890130480			480
890040230	890140230	4000W	2.2w/cm ²	230
890040400	890140400			400
890040480	890140480			480
890060230	890160230	6000W	2.2w/cm ²	230
890060400	890160400			400
890060480	890160480			480



*Approx Ø4" x 4" - 20"L
6.5' cable*

Description	Notes
Standard	PFA sheathing
Coex	Graphite/PFA coextruded sheathing
+ 3' Cable	per meter, max 5 meters