

Corrosion Resistant Solutions for your Mining Applications

QM REMOTE CYCLE

Quarter Master

Battery/Timer Remote Actuation

Perfect for Remote Areas!

Self-powered Series 94 electric actuator with open/close timer

- NEMA 4X Engineered Resin Enclosures with SS Trim
- On/Off Switch
- 12vdc Re-chargeable Battery
- Adjustable Open and Interval Time via Dip Switches
- Visual Position Indication
- Manual Override
- 1100 Cycles from a Fully Charged Battery



QM Remote Cycle™ w/Series 94 Actuator & Type-21 Ball Valve



QM Remote Cycle™ w/Series 94 Actuator & Type-57 Butterfly Valve

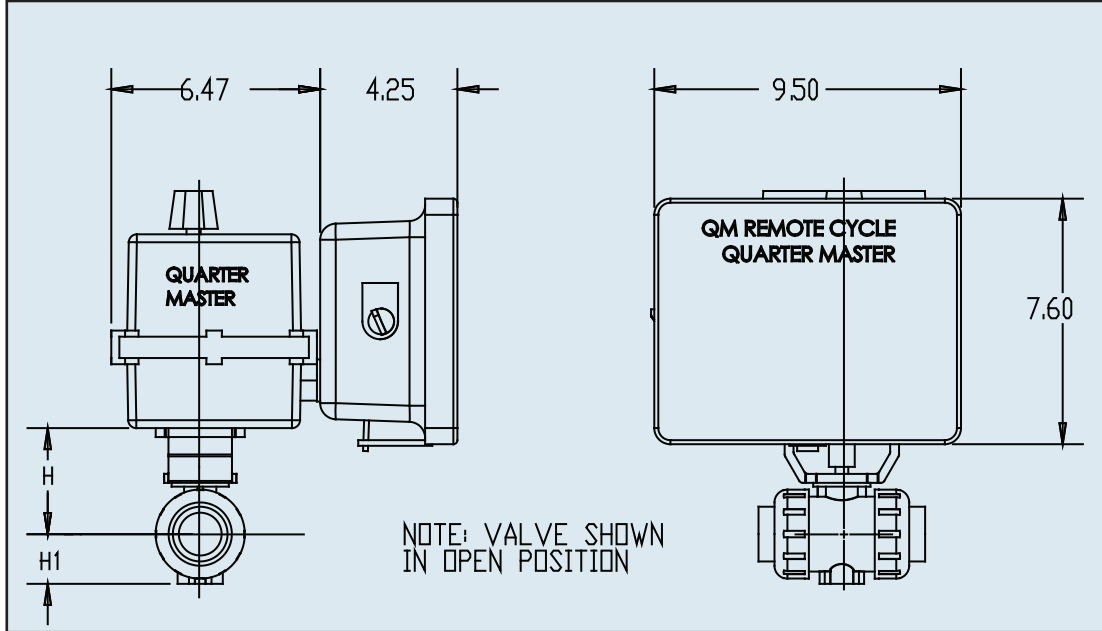


QM REMOTE CYCLE

Quarter Master

Battery/Timer Remote Actuation

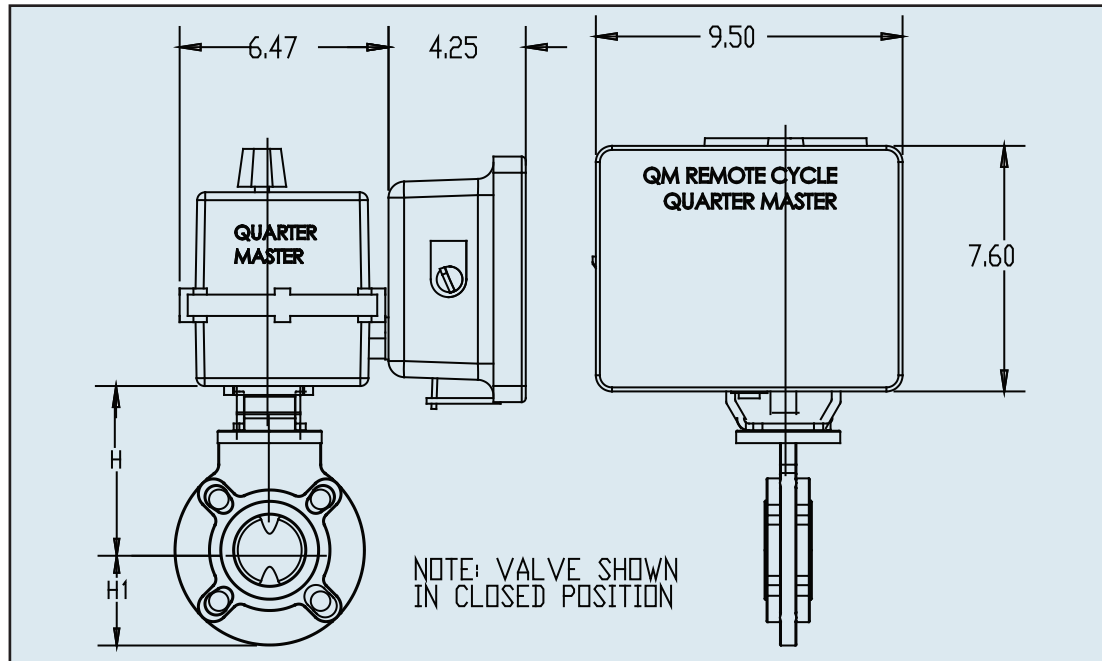
Dimensional Data



QM Remote Cycle, Series 94 Electric Actuator on Type-21 Ball Valve

Size	H	H1
1/2	2.76	1.14
3/4	3.01	1.38
1	3.29	1.54
1-1/4	3.64	1.85
1-1/2	3.98	2.17
2	4.43	2.60

Dimensional Data



QM Remote Cycle, Series 94 Electric Actuator on Type-57 Butterfly Valve

Size	H	H1
1-1/2	5.51	2.95
2	5.75	3.27
2-1/2	6.18	3.66
3	6.46	3.94
4	7.16	4.53



Another
Corrosion
Problem
Solved.™