

Series 4K



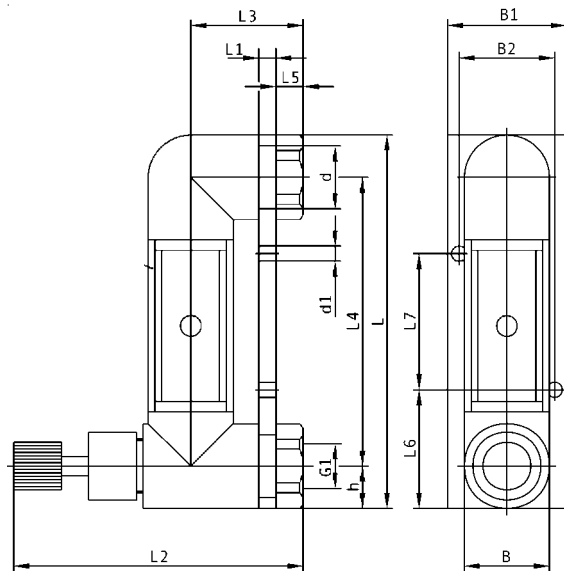
Technical Data

| Item | 4K0200 ¼" unit | 4K0500 ½" unit |
|--------------------------|--|--|
| Body: | PPN, PVDF, PFA | PPN, PVDF, PFA |
| Valve Stem: | PCTFE | PCTFE |
| Seals: | FKM Standard, EPDM, FFKM on request | FKM Standard, EPDM, FFKM on request |
| Scale: | Duran Glass | Duran Glass |
| Float (Standard) | Stainless Steel | Stainless Steel |
| Float (Alternate) | PVDF | PTFE |
| Tube Dimension | Diameter: 17mm (0.67 in) Length: 75mm (2.95in) | Diameter 28mm (1.10in) Length: 150mm (5.9in) |
| Connection | MNPT FNPT FLARE Compression | MNPT FNPT FLARE Compression |

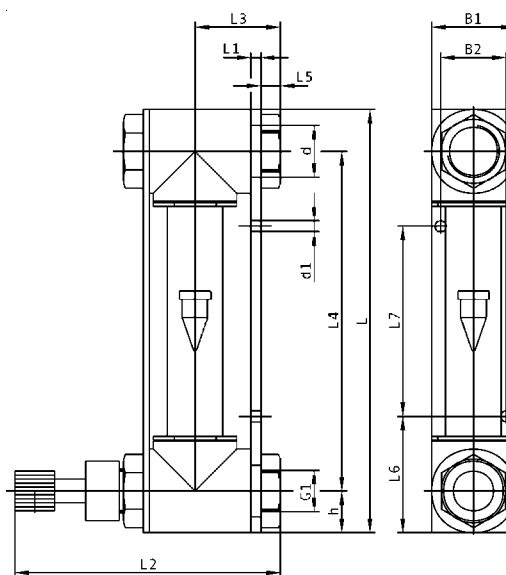
Flow Range: Water

| Meter | Min | Max | Min | Max |
|---------------|--------------------------------------|---|---------------------------------------|---|
| Float | Stainless Steel | Stainless Steel | Plastic | Plastic |
| 4K0200 | 40 cc/min 60 cc/min 160 cc/min | 400 cc/min 650 cc/min 1650 cc/min | 70 cc/min 100 cc/min 150 cc/min | 420 cc/min 700 cc/min 1100 cc/min |
| 4K0500 | 0.42 lpm 1.0 lpm | 4.20 lpm 10 lpm | 0.40 lpm 0.60 lpm | 4.2 lpm 6.8 lpm |

Model 4K0200 (1/4")



Model 4K0500 (1/2")



Dimensions

| Meter | L | B | B1 | B2 | L1 | L2 | L3 | L4 | L5 | L6 | L7 | d1 | h | End |
|---------|---------------|--------------|--------------|--------------|---------------|-----------------------|--------------|---------------|---------------|----------------|--------------|---------------|----------------|-----|
| 4K0200. | 110 (4.33) | 25 (0.98) | 35 (1.38) | 28 (1.10) | 5 (0.20) | 87/45 (3.42/1.77) | 33 (1.30) | 85 (3.35) | 6.0 (0.23) | 35 (1.38) | 40 (1.57) | 4.5 (0.18) | 12.5 (0.49) | ¼" |
| 4K0500. | 212 (8.34) | 42 (1.65) | 42 (1.65) | 33 (1.30) | 5.0 (0.20) | 133/79 (5.23/3.11) | 43 (1.70) | 170 (6.70) | 10 (0.39) | 58.5 (2.30) | 96 (3.78) | 5.5 (0.22) | 21 (0.83) | ½" |

Series 4
Variable Area Flow meters



HOW to ORDER
Series 4K Meters

Example: 1/4" 150-1100 cc/min with PVDF Float, PVDF material, Flare Connection, with Valve

3PV-PV-FL-V

| Code | Size –Flow Range- Float Material |
|------|--|
| 1S | 1/4" 40 - 400 cc/min, Stainless Steel Ball |
| 2S | 1/4" 60 – 650 cc/min, Stainless Steel Ball |
| 3S | 1/4" 160 – 1650 cc/min, Stainless Steel Ball |
| 1P | 1/4" 70 –420 cc/min, PVDF Float |
| 2P | 1/4" 100 – 700 cc/min, PVDF Float |
| 3P | 1/4" 150 – 1100 cc/min, PVDF Float |
| 4S | 1/2" 0.42 – 4.2 LPM, Stainless Steel Ball |
| 5S | 1/2" 1 – 10 LPM, Stainless Steel Ball |
| 1T | 1/2" 0.40 – 4.2 LPM, PVDF Float |
| 2T | 1/2" 0.60 – 6.8 LPM, PVDF Float |

| Code | Material |
|------|--------------------------------------|
| PN | PPN, Natural Polypropylene, FKM Seal |
| PV | PVDF, FKM Seal |
| PF | PFA, FKM Seal |

| Code | Connection |
|------|---------------------|
| MN | Male NPT |
| FN | Female NPT |
| FL | Flare Fitting |
| CP | Compression fitting |

| Code | Needle Valve |
|------|---|
| V | With Valve |
| NX | Without Valve <small>All meters are provided with valve, Consult Factory for no valve</small> |