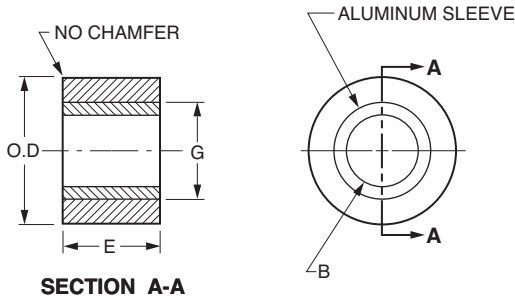


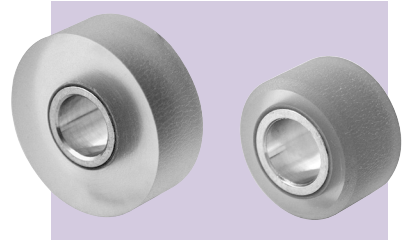
■ **WITHOUT BEARING**

■ **URETHANE SURFACE**



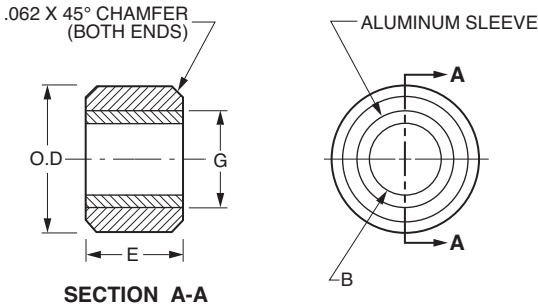
**SECTION A-A**

**Fig. 1 (WITHOUT CHAMFER)**



**Fig. 1**

**Fig. 2**



**SECTION A-A**

**Fig. 2 (WITH CHAMFER)**

**MATERIAL:** Roller – Urethane 60 Durometer  
 Ground Outside Diameter  
 Sleeve – Aluminum

Catalog Number	Fig.	O.D. ±.003	B Bore +.0005 -.0000	E Face Width ± .010	G Sleeve O.D.
A 7M 5-UR05025A	1	.500	.2500	.250	.344
A 7M 5-UR05025B				.718	
A 7M 5-UR05025C				.500	
A 7M 5-UR06737				.250	
A 7M 5-UR07537	2	.750	.3750	.500	.500
A 7M 5-UR08137				.813	
A 7M 5-UR09237	1	.922	.3750	.484	.688
A 7M 5-UR11237A				.438	
A 7M 5-UR11237B				.688	
A 7M 5-UR19837				.750	
A 7M 5-UR19850A	1	1.988	.5000	.750	1.375
A 7M 5-UR19850B				1.000	