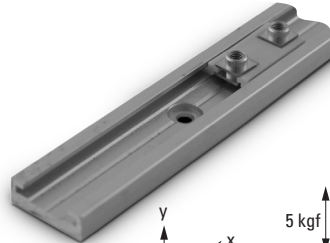


LOW-LOAD APPLICATIONS
 REPLACEABLE GLIDE PADS
 SELF-LUBRICATING
 CORROSION-RESISTANT
 LOW FRICTION

PHONE: 516.328.3300 • FAX: 516.326.8827 • WWW.SDP-SI.COM



► MATERIAL:

Rails - Anodized Aluminum
 Carriage Assembly - Plastic with Brass threaded inserts and J® Polymer Pads

► OPERATING TEMPERATURE:

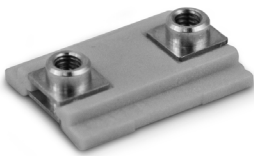
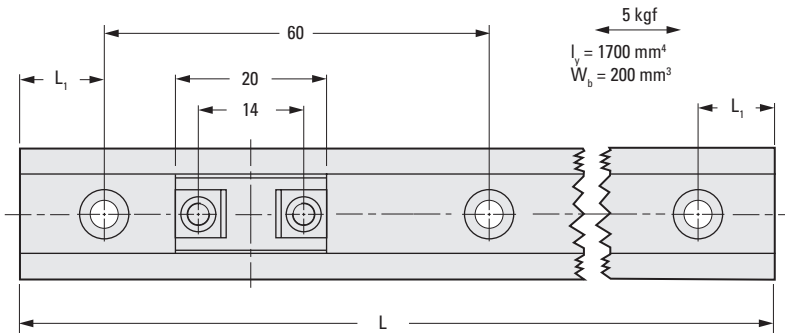
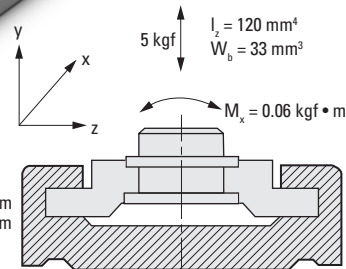
-40°C to +90°C

► SPECIFICATIONS:

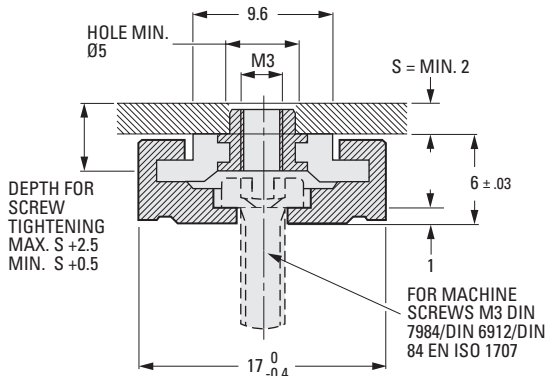
Maximum Load: 50 N
 Maximum Speed: 15 m/s

LOAD DATA

I = Moment of Inertia
 W_b = Section Modulus
 M = Max. Torque



Carriage Assembly
 S99GNCM17202



METRIC COMPONENT

Catalog Number	L Length mm	L ₁	Weight g
Rails			
S99GNRM170490	490	35	73.5
S99GNRM170980	980	40	147
S99GNRM171470	1470	45	220.5
S99GNRM171960	1960	20	294
Carriage Assembly			
S99GNCM17202	—	—	1.7

