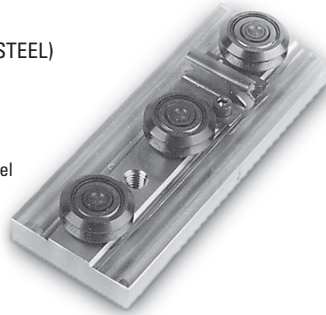
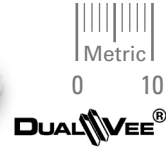


EASY INSTALLATION
 HIGH-SPEED CAPACITY
 HIGH-LOAD CAPACITY
 CORROSION RESISTANT (ONLY FOR STAINLESS STEEL)
 THREE WHEEL CONFIGURATION
 SMOOTH OPERATION

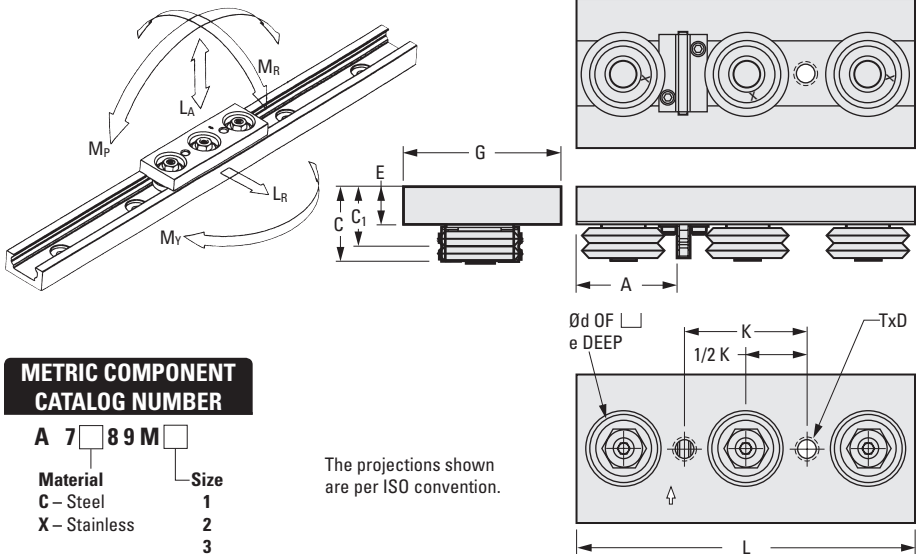


> MATERIAL:

Guide Wheels - Steel SAE 52100 or 440C Stainless Steel
Plate - Aluminum, Clear Anodized

Direction of arrow, on carriage plate, indicates how the load should be oriented to achieve radial loading on the two concentric guide wheels.

Dimensions in () are inch.



METRIC COMPONENT CATALOG NUMBER

A 7 **8** 9 **M**

Material
 C - Steel
 X - Stainless

Size
 1
 2
 3

The projections shown are per ISO convention.

Size	L Assembly Length	C Assembly Height	E Plate Height	C ₁ Wheel Height	G Assembly Width	K Hole Spacing	T Fastener Size	D Fastener Depth (max)
1	100 (3.94)	19.5 (.77)	9 (.35)	15.2 (.6)	38 (1.5)	40 (1.57)	M6 x 1	10.1 (.4)
2	125 (4.92)	26.5 (1.04)	13 (.51)	20.8 (.82)	55 (2.17)	45 (1.77)	M8 x 1.25	13.7 (.54)
3	170 (6.69)	37.3 (1.47)	17 (.67)	29.4 (1.16)	80 (3.15)	60 (2.36)	M10 x 1.5	19.6 (.77)

Size	d C' Bore Dia.	e C' Bore Depth	A Lubricator Location	L _A Axial Working Load Capacity N (lbf)	L _R Radial Working Load Capacity N (lbf)	M _P Pitch Moment Capacity N • m (lb • in)	M _Y Yaw Moment Capacity N • m (lb • in)	M _R Roll Moment Capacity N • m (lb • in)
1	16 (.63)	5 (.2)	28.4 (1.12)	705 (158.5)	1111 (249.8)	14 (123.9)	21 (185.9)	3 (26.6)
2	25 (.98)	8.5 (.33)	37.3 (1.47)	1749 (393.2)	2671 (600.4)	40 (354.0)	61 (539.9)	9 (79.7)
3	38 (1.5)	8.1 (.32)	51.3 (2.02)	4763 (1070.7)	5739 (1290.1)	146 (1292.2)	176 (1557.7)	35 (309.8)

DualVee and Utiltrak are registered trademarks of the Bishop-Wisecarver Corporation.