

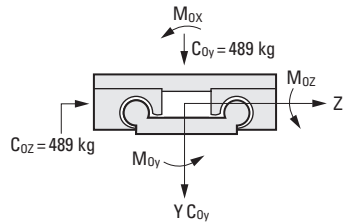
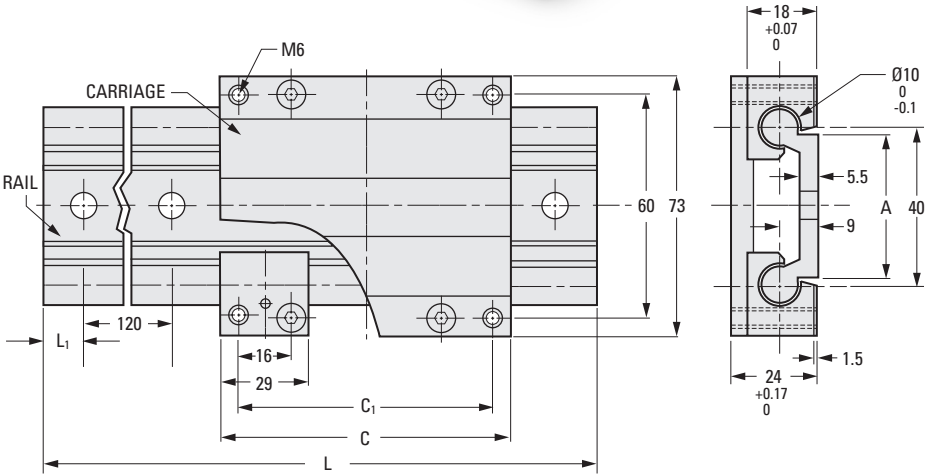
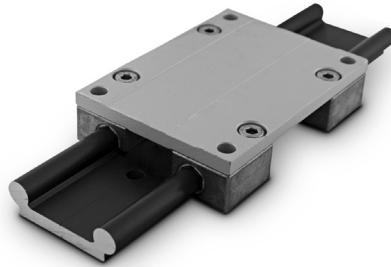
LOW FRICTION
LIGHTWEIGHT
MAINTENANCE-FREE

PHONE: 516.328.3300 • FAX: 516.326.8827 • WWW.SDP-SI.COM



> **MATERIAL:**

- Rails** - Hard Anodized Aluminum
- Carriage Assembly - Plate** - Aluminum
- Blocks** - Die Cast Zinc
- Bearings** - J® Polymer



C= STATIC LOAD CAPACITY

METRIC COMPONENT

Catalog Number	L Length mm	L ₁	A 0 -0.3	C	C ₁	Moment Load Capacity kg • m			Weight kg
						M _{Ox}	M _{Oy}	M _{Oz}	
Rails									
S99GWRM401000	1000	20	40	-	-	-	-	-	1
S99GWRM402000	2000	40	40	-	-	-	-	-	2
S99GWRM404000	4000	20	40	-	-	-	-	-	4
Carriage Assembly									
S99GWC40100	-	-	-	100	87	9.789	17.323	17.323	0.29
S99GWC40150	-	-	-	150	137	9.789	29.559	29.559	0.34
S99GWC40200	-	-	-	200	187	9.789	41.808	41.808	0.4