

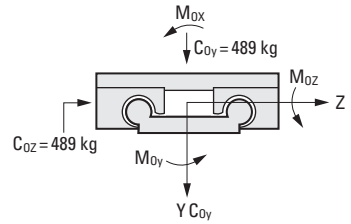
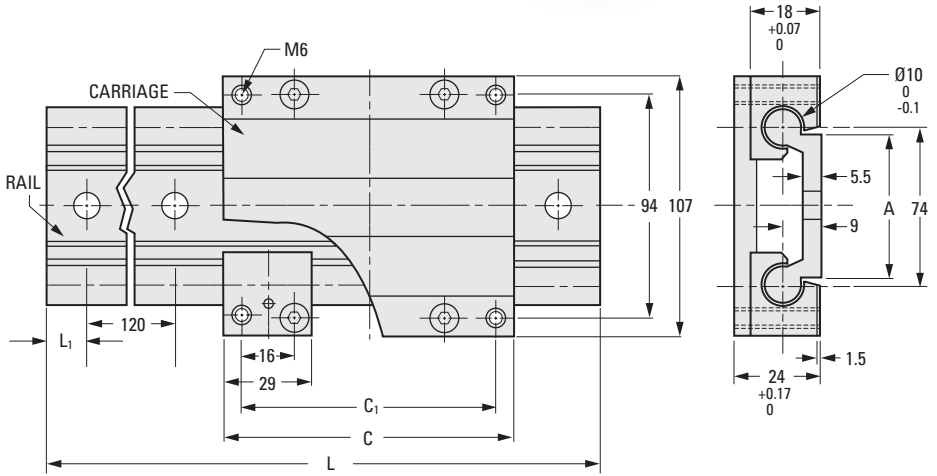
LOW FRICTION
LIGHTWEIGHT
MAINTENANCE-FREE

PHONE: 516.328.3300 • FAX: 516.326.8827 • WWW.SDP-SI.COM



> MATERIAL:

- Rails** - Hard Anodized Aluminum
- Carriage Assembly - Plate** - Aluminum
- Blocks** - Die Cast Zinc
- Bearings** - J® Polymer



C = STATIC LOAD CAPACITY

METRIC COMPONENT

Catalog Number	L Length mm	L ₁	A 0 -0.3	C	C ₁	Moment Load Capacity kg • m			Weight kg
						M _{Ox}	M _{Oy}	M _{Oz}	
Rails									
S99GWRM801000	1000	20	74	-	-	-	-	-	1.5
S99GWRM802000	2000	40	74	-	-	-	-	-	3
S99GWRM804000	4000	20	74	-	-	-	-	-	6
Carriage Assembly									
S99GWC80100	-	-	-	100	87	18.139	17.337	17.337	0.34
S99GWC80150	-	-	-	150	137	18.139	29.559	29.559	0.42
S99GWC80200	-	-	-	200	187	18.139	41.808	41.808	0.5