

PRECISION SERIES  
 ABEC 5 BEARINGS  
 ECONOMY SERIES

PHONE: 516.328.3300 • FAX: 516.326.8827 • WWW.SDP-SI.COM

► MATERIAL:

**Fig. 1 - Wheels** - Steel SAE 52100 HRC 60...62  
 or 440C Stainless Steel HRC 58...60

With Ground Contact Edges

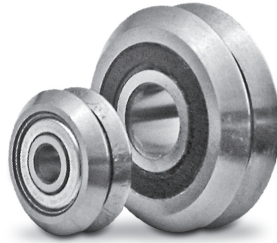
**Bearings** - Pre-lubricated;

Steel - Shielded, Stainless - Sealed

**Bearing Retainer** - Nylon 66

**Fig. 2 - Wheel** - Acetal

**Bearing** - Sintered Bronze



0 10

DUALVEE®



Low or high temperature wheels available on special request.

For engineering assistance for all SDP components, call on our application engineers.

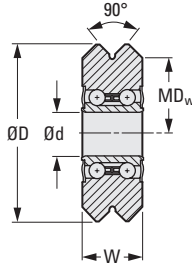


Fig. 1  
 Precision Series

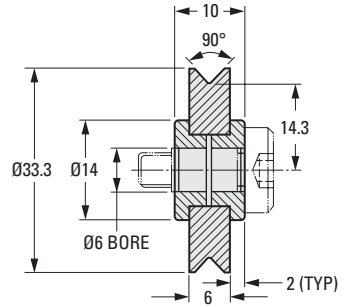


Fig. 2  
 Economy Series

METRIC COMPONENT

Catalog Number		Size	D Dia.		W	d Bore	MDw	Radial Working Load Capacity N	Axial Working Load Capacity N
Steel	Stainless		Clear.	Ref.					
<b>Fig. 1 Precision Series</b>									
A 7Q16M0	—	0	14.83	—	6.35	4	5.94	650	123
Δ A 7Q16M1	Δ A 7Y16M1	1	19.8	19.6	7.87	4.76	7.95	1220	252
Δ A 7Q16M2	Δ A 7Y16M2	2	31.8	30.7	11.1	9.53	12.7	2650	625
A 7Q16M3	A 7Y16M3	3	45.3	45.8	15.88	12	19.05	5900	1701
A 7Q16M4	A 7Y16M4	4	60.3	59.9	19.05	15	25.4	9700	4001

Δ Bores conform to inch sizes.

See the next page for adapter bushings to use in metric designs.

METRIC COMPONENT

Catalog Number	Bore
<b>Fig. 2 Economy Series</b>	
A 7Z16M3	6 mm