

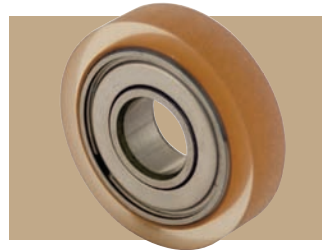
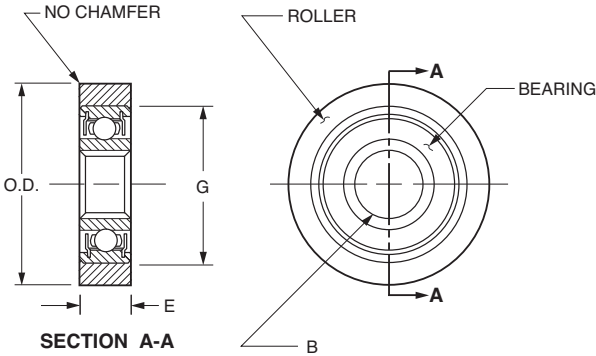
Inch   Inch   Inch   Inch   Inch   Inch   Inch   Inch

**SDPSI** **Idler Rollers**

**Stock Drive Products/Sterling Instrument**   ■   **Phone: 516-328-3300**   ■   **Fax: 516-326-8827**

■ WITH DOUBLE-SHIELDED ABEC 3 BEARING

■ URETHANE SURFACE



**MATERIAL:** Roller - Urethane 60 Durometer  
Ground Outside Diameter

**Bearing, Double-Shielded - Stainless Steel**

Catalog Number	O.D. ± .003	B Bore + .0000 - .0002	E Face Width ± .010	G
A 7Z 8-URBB05018	.500	.1875	.125	.375
A 7Z 8-URBB07518	.750	.2500	.187	.500
A 7Z 8-URBB06225	.625	.3750	.281	.875
A 7Z 8-URBB07525	.750	.5000	.281	.875
A 7Z 8-URBB11237	1.125			
A 7Z 8-URBB15037	1.500			
A 7Z 8-URBB11250	1.125			
A 7Z 8-URBB15050	1.500			

**NEW****SDPSI**

Metric Metric Metric Metric Metric

**Idler Rollers**

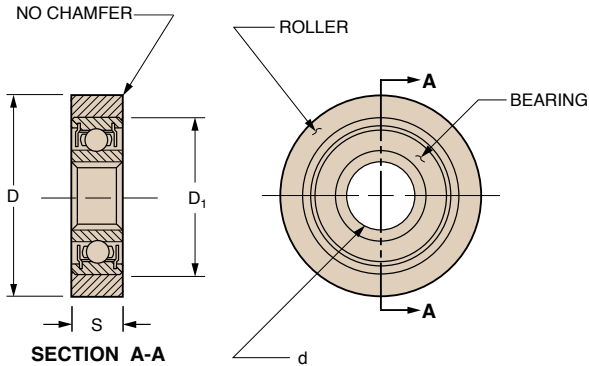
Stock Drive Products/Sterling Instrument

Phone: 516-328-3300

Fax: 516-326-8827

■ WITH DOUBLE-SHIELDED ABEC 3 BEARING

■ URETHANE SURFACE



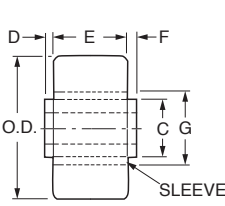
**MATERIAL:** Roller - Urethane 60 Durometer  
Ground Outside Diameter

Bearing, Double-Shielded - Stainless Steel

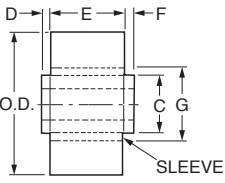
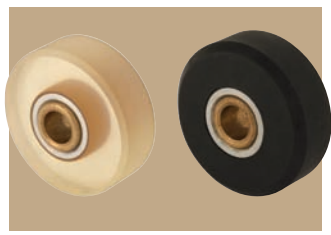
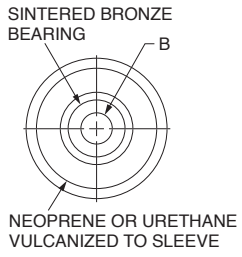
Catalog Number	D $\pm 0.075$	d Bore $- 0.005$	S Face Width $\pm 0.25$	D <sub>1</sub>
A 7Z 8MURBB1205	12	5	3	9
A 7Z 8MURBB1905	19			
A 7Z 8MURBB1606	16	6	5	13
A 7Z 8MURBB1906	19			
A 7Z 8MURBB2810	28	10	7	19
A 7Z 8MURBB3810	38			
A 7Z 8MURBB3812	38	12	8	28
A 7Z 8MURBB4412	44			

## Idler Rollers

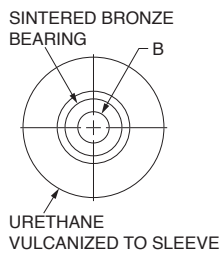
- WITH SINTERED BRONZE BEARING   ■ NEOPRENE OR URETHANE SURFACE



**Fig. 1  
(WITH CHAMFER)**



**Fig. 2  
(WITHOUT CHAMFER)**



**MATERIAL:** Roller – Neoprene or Urethane 60 Durometer Ground Outside Diameter  
Sleeve – Aluminum  
Bearing – Sintered Bronze

Catalog Number				O.D.	B Bore +.0015 -.0000	E Width ± .010	C	G	D	F	
Neoprene	Fig.	Urethane <sup>Δ</sup>	Fig.								
A 7Z 5-IR0512	1	A 7Z 5-UR0512	2	1/2	1/8	23/32	1/4	11/32	1/32	1/32	
A 7Z 5-IR0625		A 7Z 5-UR0625		43/64	1/4	1/4	3/8	1/2	—	—	
A 7Z 5-IR0718		A 7Z 5-UR0718		3/4	3/16	1/2	3/8	1/2	1/32	—	
A 7Z 5-IR0721		A 7Z 5-UR0721	1	2	7/32	7/16	7/16	1/2	1/64	1/64	
A 7Z 5-IR0825		A 7Z 5-UR0825			13/16	1/4	1/2	3/8	1/2	1/64	1/64
A 7Z 5-IR0925		A 7Z 5-UR0925	2	1	59/64	1/4	31/64	3/8	11/16	1/64	3/32
A 7Z 5-IR1015		A 7Z 5-UR1015			1-3/32	5/32	9/16	25/64	1/2	1/32	1/32
A 7Z 5-IR1125		A 7Z 5-UR1125	2	1	1-1/8	1/4	7/16	3/8	1/2	1/32	—
A 7Z 5-IR1125W		A 7Z 5-UR1125W			11/16	—	—	—	—	—	1/32
*A 7Z 5-IR1937			*A 7Z 5-UR1937		1.988	—	.687	3/8	1-3/8	—	—

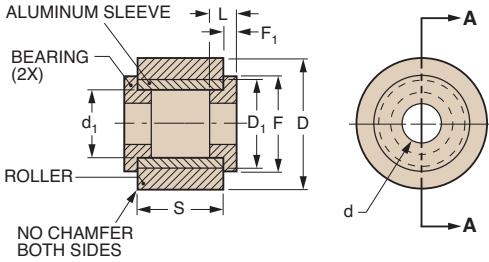
\*Supplied less bearing.  
<sup>Δ</sup>Urethane Idler Rollers will be supplied with chamfer until present stock is depleted. After depletion, they will be sold without chamfer except for catalog number A 7Z 5-UR0825.

### Did You Know?

That by viewing our "home page" on the INTERNET  
<http://www.sdp-si.com> you can obtain additional literature.

■ WITH SINTERED BRONZE BEARING

■ URETHANE SURFACE



**SECTION A-A**

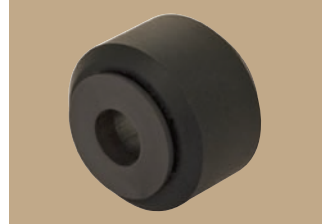
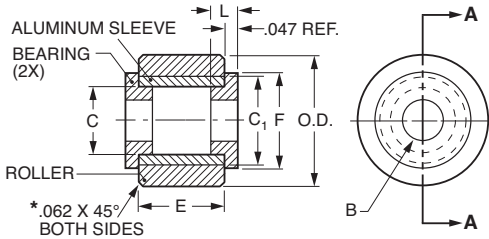


**MATERIAL:** Roller - Urethane 60 Durometer  
 Ground Outside Diameter  
 Sleeve - Aluminum Alloy  
 Bearing - Sintered Bronze

Catalog Number	D O.D.	d Bore +0.038	S Face Width ±0.25	L Bearing Length	F Flange Dia.	F <sub>1</sub> Flange Thick- ness	d <sub>1</sub> Sleeve I.D.	D <sub>1</sub> Sleeve O.D.
A 7Z 5MUR1203A	12	3	6.35	4	9	1.5	6	8.74
A 7Z 5MUR1203B			18.2					
A 7Z 5MUR1203C			12.7					
A 7Z 5MUR1706	17	6	6.35	4	14	2	10	12.7
A 7Z 5MUR1906	19		12.7					
A 7Z 5MUR2006	20		12.7					
A 7Z 5MUR2306	23		12.3					
A 7Z 5MUR2806A	28		11.12					
A 7Z 5MUR2806B			17.47					
A 7Z 5MUR5006	50	8	19.05	8	16	3	12	34.92
A 7Z 5MUR5008A	50		25.4	8	16	3	12	34.92
A 7Z 5MUR5008B								

■ WITH POLYMER BEARING

■ NEOPRENE SURFACE



**SECTION A-A**

**MATERIAL:** Roller - Neoprene 60 Durometer, Black  
Ground Outside Diameter

Sleeve - Aluminum Alloy

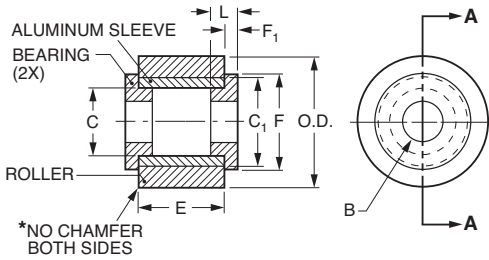
Bearing - M250® Polymer

Catalog Number	O.D.	B Bore	E Face Width ±.010	L Bearing Length	F Flange Dia.	C Sleeve I.D.	C <sub>1</sub> Sleeve O.D.
A 7ZB5-IRG05025B	.500	.1250 <sup>+0030</sup> / <sub>+0012</sub>	.718	.1875	.360	.250	.344
*A 7ZB5-IRG06737	.672	.2500 <sup>+0039</sup> / <sub>+0016</sub>	.250	.1250	.560	.375	.500
A 7ZB5-IRG07537	.750		.500				
A 7ZB5-IRG08137	.813		.500				
A 7ZB5-IRG09237	.922		.484				
A 7ZB5-IRG11237A	1.125		.438				
A 7ZB5-IRG11237B			.688				
A 7ZB5-IRG19837			1.988				
							1.375

\*Catalog number A 7ZB5-IRG06737 has .010 x 45° chamfer on both sides.

■ WITH POLYMER BEARING

■ URETHANE SURFACE



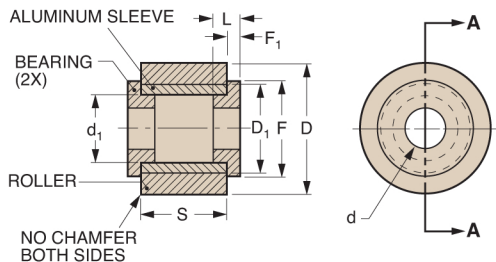
**MATERIAL:** Roller - Urethane 60 Durometer  
Ground Outside Diameter  
Sleeve - Aluminum Alloy  
Bearing - M250<sup>®</sup> Polymer

Catalog Number	O.D.	B Bore	E Face Width ±.010	L Bearing Length	F Flange Dia.	F <sub>1</sub> Flange Thickness Ref.	C Sleeve I.D.	C <sub>1</sub> Sleeve O.D.
A 7ZB5-URG05025A	.500	.1250 <sup>+0.0030</sup> +.0012	.250	.1250	.360	.047	.250	.344
A 7ZB5-URG05025B			.718	.1875				
A 7ZB5-URG05025C			.500	.1250				
A 7ZB5-URG06737	.672	.2500 <sup>+0.0039</sup> +.0016	.250	.1250	.560	.047	.375	.500
A 7ZB5-URG07537	.750		.500					
*A 7ZB5-URG08137	.813		.500					
A 7ZB5-URG09237	.922		.484					
A 7ZB5-URG11237A	1.125		.438					
A 7ZB5-URG11237B			.688					
A 7ZB5-URG19837			.688					
A 7ZB5-URG19850A	1.988	.3750 <sup>+0.0039</sup> +.0016	.750	.1875	.625	.062	.625	1.375
A 7ZB5-URG19850B			1.000					

\*Catalog number A 7ZB5-URG08137 has .062 x 45° chamfer on both sides.

■ WITH POLYMER BEARING

■ URETHANE SURFACE



SECTION A-A



**MATERIAL:** Roller - Urethane 60 Durometer  
Ground Outside Diameter

Sleeve - Aluminum Alloy

Bearing - M250® Polymer

Catalog Number	D O.D.	d Bore	S Face Width ±0.25	L Bearing Length	F Flange Dia.	F <sub>1</sub> Flange Thick- ness Ref.	d <sub>1</sub> Sleeve I.D.	D <sub>1</sub> Sleeve O.D.
A 7ZB5MURG1203A	12	3 <sup>+0.080</sup> <sub>+0.020</sub>	6.35	4	9	1.5	6	8.74
A 7ZB5MURG1203B			18.2					
A 7ZB5MURG1203C			12.7					
A 7ZB5MURG1706	17	6 <sup>+0.105</sup> <sub>+0.030</sub>	6.35	4	14	2	10	12.7
A 7ZB5MURG1906	19		12.7					
A 7ZB5MURG2006	20		12.7					
A 7ZB5MURG2306	23		12.3					
A 7ZB5MURG2806A	28		11.12					
A 7ZB5MURG2806B			17.47					
A 7ZB5MURG5006	50		17.47					
A 7ZB5MURG5008A	50	8 <sup>+0.120</sup> <sub>+0.040</sub>	19.05	6	16	2	12	34.92
A 7ZB5MURG5008B			25.4					