



400 SERIES Assemblies

Max Flow Rate: .75 GPM (2.8 LPM)

400-PHO: Pump Head Only

The 400-PHO is designed for maximum cost effectiveness, and uses a molded polycarbonate housing and triple or quadruple impeller roller yoke assembly. This panel-mount pump has a hinged cover plate which is intended for more demanding OEM or industrial applications. The models are available in fixed speed, air drive, explosion-proof, and variable speed AC or DC configurations.



Randolph Austin Company
P.O. Box 988
Manchaca, Texas 78652

Toll Free: 1.800.531.5263
Phone: 512.282.1590
Fax: 512.280.0678
Web: www.randolphaustin.com

400-101: Zero-Max™ Speed Control Pump

The 400-101 is a direct drive unit with a manual speed control providing a speed regulation from 0-400 RPM. This assembly comes with a pump head, Zero-Max speed control, and a 1/4 HP, 115 VAC, 60 HZ, 1 PH, O.D.P. motor mounted on a steel base. The 400-101 provides a cost-effective substitute for AC or DC speed controls and is used for fluid transfer, metering, printing, and other industrial applications.

400-362: Variable Flow™ DC Speed Control Pumps

The 400-362 is a DC speed control model. The pumps is mounted on a steel base and coupled to a 1/4 HP, geared, IPC-44, 130 VDC, PM motor. Each unit comes with a speed control in a Nema IV enclosure. The controls accept a 4-20 MA or 0-10 VDC signal and have forward/brake/reverse capability. The Vari-Flow assembly is used in applications where precise speed regulation is needed and with systems that require a remote signal for motor or flow control.



400-450: Air Driven Pump Assembly

The 400-450 is an assembly consisting of a pump head and air motor mounted on a steel base. The air motor is intended for safe use in applications where there may be explosive vapors or powders present.

Tubing Sizes: The 400-PHO uses one size of tubing: 1/4" I.D. x 7/16" O.D.

Industries: Paper & pulp, laboratory, sampling, bilge, ink, and fluid transfer.

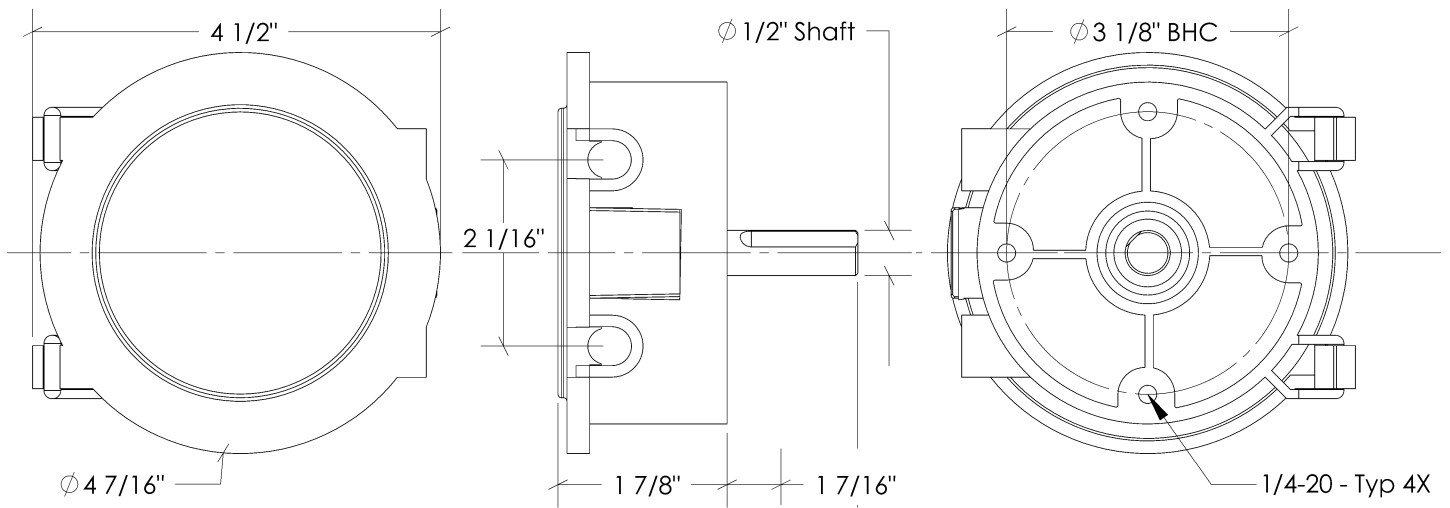
Custom assemblies are available upon request. For a quotation please contact our sales office.



400 SERIES Specifications

Catalog Part #	Description	Motor	Power	RPM	Wt	L x W x H
400-PHO	Pump Head	—	—	—	6 lbs	4 3/8" x 4 1/2" x 2"
400-101	Speed Reducer, Mechanical	1/4 HP, O.D.P.	115 VAC, 1 PH, 60 HZ	0-400	30 lbs	21" x 8 1/4" x 9 3/4"
400-362	DC Speed Control Assembly	1/4 HP, 130 VDC, PM, IPC-44	115/230 VAC, 1 PH, 50/60 HZ	12-500	35 lbs	18" x 8 1/4" x 15 1/4"
400-450	Air Motor	1/4 HP, 4 vane, Reversible 15:1 Geared Motor	90 PSIG @ 21 CFM	20-500	17 lbs	10" x 8 1/4" x 16"

400 SERIES CAD Drawing



* Zero-Max is a Trademark of Zero-Max Inc.

** Vari-Flow is a Trademark of Randolph Austin Company

