



Randolph Austin Company
P.O. Box 988
Manchaca, Texas 78652
Toll Free: 1.800.531.5263
Phone: 512.282.1590
Fax: 512.280.0678
Web: www.randolphaustin.com

800 SERIES Assemblies

Max Flow Rate: 21 GPM (79.5 LPM)

880-PHO: Pump Head Only

The 880-PHO is Randolph's largest peristaltic pump. The housing is machined from an aluminum casting. Plated steel components are used for the pumps impeller, plate, and shaft. The 880-PHO, is ruggedly designed for long-life and easy maintenance. The pump is capable of flows up to 21 gallons per minute at 190 RPM. The 880-PHO is an excellent choice for various industrial applications.



880-110: Standard Fixed-Speed Pump

The 880-110 is an assembly with the 880-PHO mounted on a machined aluminum stand with a 100 RPM AC motor. The standard assembly offers an easy solution for many applications.

880-120: Standard Fixed-Speed Pump

The 880-120 is an assembly with the 880-PHO mounted on a machined aluminum stand with a 190 RPM, AC motor. The standard assembly offers an easy solution for many applications.

880-300: Vari-Flow™ DC Speed Control Pumps

The 880-300 is an assembly with the 880-PHO mounted on machined aluminum stand, with a DC motor and speed control. The 880-300 is capable of a speed range from 0-190 RPM and is an excellent choice for applications requiring variable fluid delivery. The control is in a NEMA IV enclosure and can receive 4-20 MA remote signal. The 880-300 is a rugged and robust pump that works well in many industrial applications.



880-425: Air Drive Pump

The 880-425 is an assembly with the 880-PHO mounted on a machined aluminum stand with a 56C forced air motor and gear reducer. Through the adjustment of air flow, the 880-425 has a speed range of 20-200 RPM. The air motor is intended for safe use in applications where there may be explosive vapors or powders present.

Tubing Sizes: The 880-PHO use two interchangeable sizes of tubing: 3/4" I.D. x 1 1/4" O.D. or 1" I.D. x 1 1/2" O.D.

Industries: Paper & pulp, mining, sampling, bilge, slurry, ink, and fluid transfer.

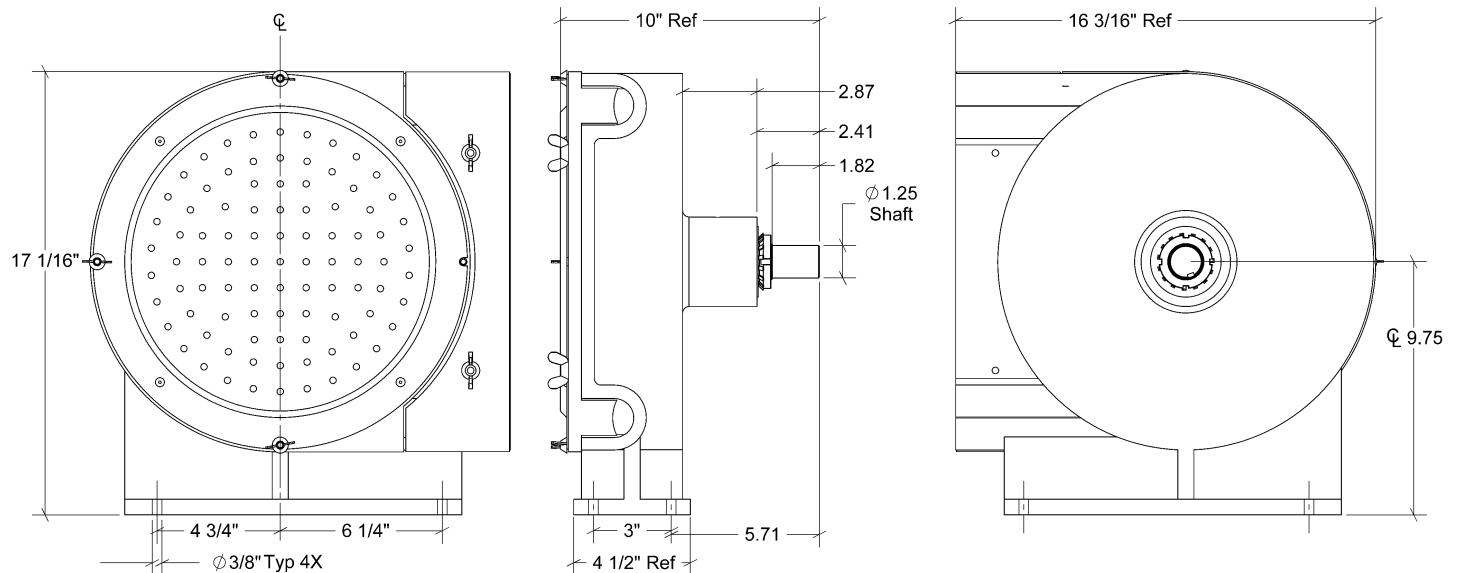
Custom assemblies are available upon request. For a quotation please contact our sales office.



800 SERIES Specifications

Catalog Part #	Description	Motor	Power	RPM	Wt	L x W x H
880-PHO	Pump Head Only	—	—	—	115 lbs	10" x 13" x 17 1/16"
880-110	Direct Drive, 100 RPM Standard Assembly	3/4 HP, 56C, TEFC, 1725 RPM	115/230 VAC, 1 PH, 60 HZ	100	240 lbs	29" x 17" x 21"
880-120	Direct Drive, 190 RPM Standard Assembly	3/4 HP, 56C, TEFC, 1725 RPM	115/230 VAC, 1 PH, 60 HZ	190	240 lbs	29" x 17" x 21"
880-300	DC Speed Control Assembly	1 HP, 56C, 180 VDC	115/230 VAC, 1 PH, 50/60 HZ	0-190	240 lbs	29" x 17" x 21"
880-425	Air Motor	1 1/2 HP, 56C, 4 Vane, Reversible Air Motor	90 PSIG, 30 CFM	20-200	210 lbs	29" x 17" x 21"

800 SERIES CAD Drawing



* Vari-Flow is a Trademark of Randolph Austin Company