

TDA SERIES DIGITAL TEMPERATURE SENSOR



Flow
Pressure
Level
Temperature
measurement
monitoring
control



- Measuring Range -58 to 250°F
- Scalable Output Transmitter
- Large Easy-to-Read LED Display
- All Stainless Steel Construction
- Rugged and Reliable
- Remote Sensor Available

T2



USA

KOBOLD Instruments Inc.
1801 Parkway View Drive
USA-Pittsburgh, PA 15205
☎ +1 412-788-2830
Fax +1 412-788-4890
E-mail: info@koboldusa.com



CANADA

KOBOLD Instruments Canada Inc.
9A Aviation
Pointe-Claire, QC H9R 4Z2
☎ +1 514-428-8090
Fax +1 514-428-8899
E-mail: kobold@kobold.ca

Visit KOBOLD Online at
www.kobold.com

Model:
TDA

Features

- Measuring Range -58 to 250°F
- Scalable Output Transmitter
- Large Easy-to-Read LED Display
- All Stainless Steel Construction
- Rugged and Reliable
- Remote Sensor Available

The TDA series digital temperature sensor incorporates the latest sensing technology into a very versatile, simple to operate package. Output span, dampening and lockout code are programmable from a keypad on the controller. The heart of the sensor is a semiconductor sensing element which sends a digital temperature signal to the processor in 0.5°C increments. The processor displays temperature and provides a 4-20 mA output proportional to temperature. The digital sensor ensures a long life with virtually no calibration drift. These features along with a robust stainless steel housing makes the TDA ideal for OEM or tough industrial applications.

The TDA is available with the controller mounted directly onto the sensing probe or separated for mounting the probe remotely from the controller. Various probe lengths are available. The remote probe version has a smooth shank (no fitting) allowing the user to adjust the probe insertion depth by installing with a compression fitting sold as an accessory item.



TDA Series Digital Temperature Sensor

Specifications

Switching Range: Per ordering code
Display Type: 3-digit red LED
Display Resolution: ±0.5° between -10°F and +100°C or °F
 ±1° below -10 and above 100°C or °F

Accuracy:
 14 to 185°F: ±0.9°F
 14 to -58°F: ±3.6°F
 185°F to 250°F: ±3.6°F
Max. Pressure: 1150 PSIG
Max. Process Temp: 250°F
Max. Ambient Temp: 120°F

Housing and Probe Material: 316L Stainless Steel

Cable Material for Remote Probe: Teflon 8ft. std.

Electrical Data Power: 24 VDC ±20% @ 4-20 mA
Output: 4-20 mA, 3-wire into 500 ohm Max. loop load
Sample Rate: 0.5 Sec./sample

Dampening: Programmable averaging over 2, 4, 8, 16, 32, or 64 samples

Electrical Connection: 4-Pin Micro-DC male plug or PVC jacketed cable

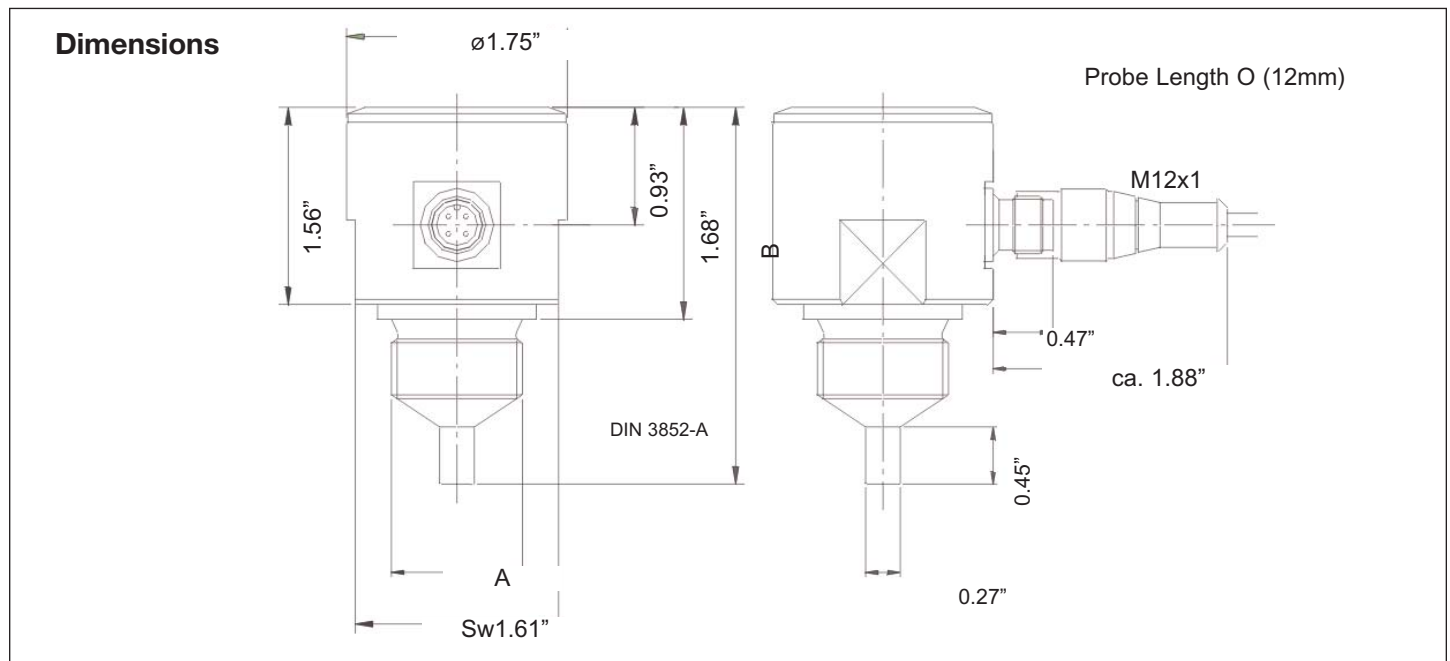
Electrical Protection: NEMA 4/IP 65

Programmable Features

- Lockout Code
- Transmitter Span
- Dampening

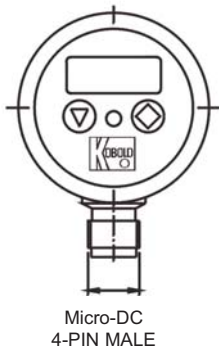
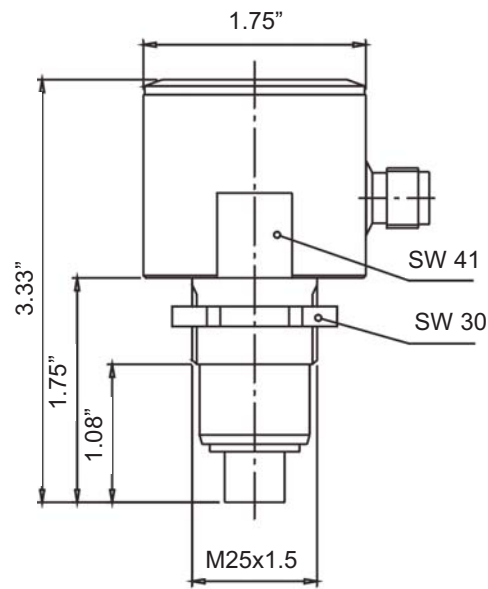
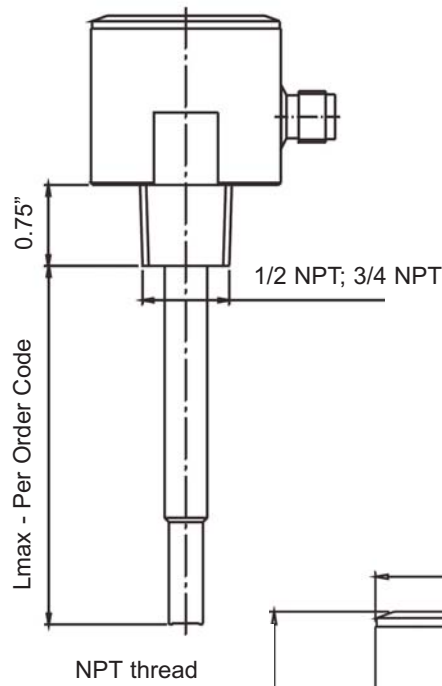
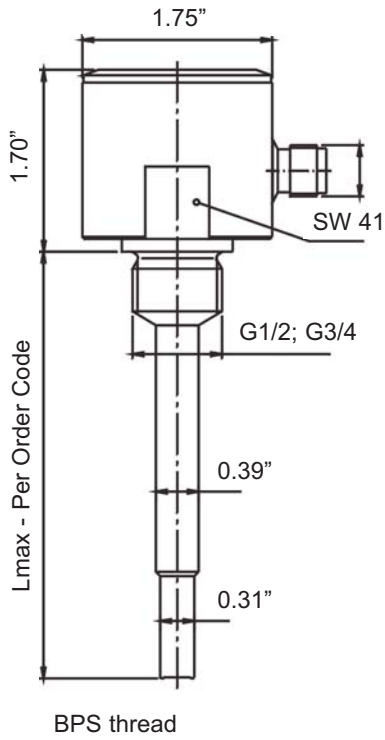
TDA Series Ordering Codes	
TDA	= Digital Temperature Switch
15	= 4-20 mA Output Type
N4	= 1/2" NPT
N5	= 3/4" NPT
R4	= 1/2" BSP
R5	= 3/4" BSP
D6	= Remote Probe Smooth Shank
F2	= 0 to 250°F
F3	= -58 to 250°F (Available with Process Connection D6 Only)
H2	= -20 to 120°C
H3	= -50 to 125°C (Available with Process Connection D6 Only)
0	= 12mm/1/2" (Not Available with Process Connection D6)
1	= 100 mm/4"
2	= 185mm/7.25" (Not Available with Process Connection D6)
L3M	= Micro-DC plug, 4-Pin male
L3P	= 3 Ft. PVC cable
L3S	= Custom length PVC cable
EC	= Extended Cable Length on Process Connection D6
	(*Specify desired Cable Length When Ordering)
Options	
TDA - 15 - N4 - F2 - 1 - L3M Example TDA ordering code	
Accessories	
Part# 807.037 - Mating 4-Pin Micro-DC plug with 6 ft. cable.	
Part# TD-FTFHG1/4SS - 6mm 316 SS Bore Through Compression Fitting x 1/4" NPT for Remote Probe Installation.	
Part# TD-FTFHG1/2SS - 6mm 316 SS Bore Through Compression Fitting x 1/2" NPT for Remote Probe Installation.	

T2



Dimensions

Probe Length 1 and 2 (100 mm & 185mm)



Fitting Style D6

