

ST MINI INFRARED THERMOMETER



Flow
Pressure
Level
Temperature
measurement
monitoring
control



- Easy to Use
- Rugged Design
- Temperature Range:
 - 0 to 750°F ST-2000
 - ST-3000
 - 4 to 932°F ST-6000
- Large Easy-To Read Display
- Battery Powered
- Affordable Priced

T2



USA

KOBOLD Instruments Inc.
1801 Parkway View Drive
USA-Pittsburgh, PA 15205
☎ +1 412-788-2830
Fax +1 412-788-4890
E-mail: info@koboldusa.com



CANADA

KOBOLD Instruments Canada Inc.
9A Aviation
Pointe-Claire, QC H9R 4Z2
☎ +1 514-428-8090
Fax +1 514-428-8899
E-mail: kobold@kobold.ca

Visit KOBOLD Online at
www.kobold.com

Model:
ST



ST - Mini Infrared Thermometer

The ST Mini Infrared Thermometer is a low cost non-contact temperature measurement tool. The ST can spot heat problems early in your electrical and mechanical systems, machinery and equipment, and help you avoid costly repairs, downtime and ruined product.

The ST is rugged, simple and safe to use. It is an everyday maintenance tool which can be used by anyone. There's no need to focus or calibrate, and no need for special training. You simply aim, pull the trigger, and read the temperature. Since there is no need to touch what you're measuring, temperatures of hard-to-reach, moving or hazardous materials can be taken without getting burned or shocked, and without contamination. The ST is also designed to be held away from the eye so vision isn't blocked in a dangerous environment.

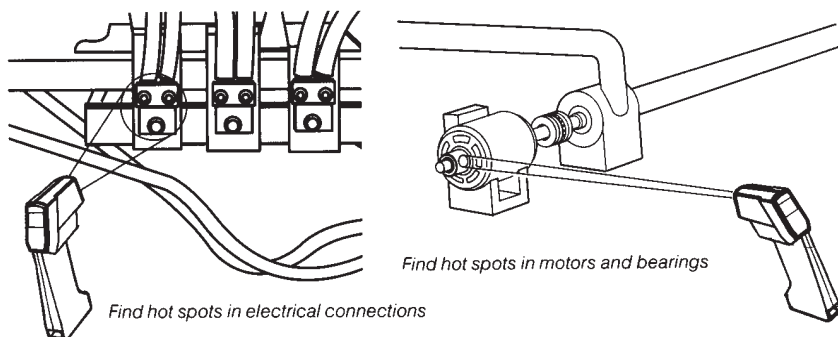
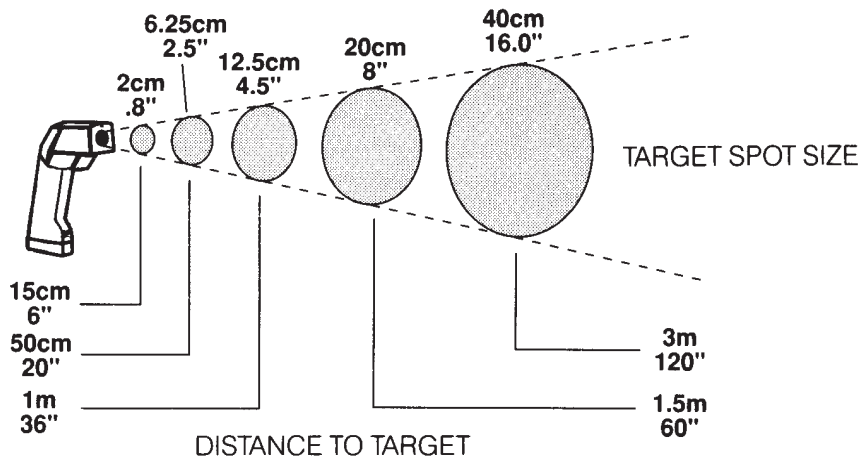


Proven circuitry assures accuracy and repeatability, even for targets as small as 1" (2.5 cm) in diameter. The rugged optics are environmentally sealed so the ST can be used in the harshest conditions.

The ST is powered by a single 9 Volt battery. The ST-2000 offers a single point laser sight that pinpoints the spot you're measuring. The ST-3000 and ST-6000 offer an 8-point circular pattern laser sight.

SPECIFICATIONS	ST-2000/ST-3000	ST-6000
Temperature range	ST-2000: 0-750 °F ST-3000: -25 to 950°F	-25-1100°F
Accuracy	± 2% of Reading or ± 3°F (± 2°C), whichever is greater at ambient 77°F (25°C) at 12" (30 cm) distance	
Repeatability	± 1% of reading ± 1 digit	
Response time	500 m sec	
Spectral response	7-18 microns nominal	
Max Scan with audible alarm	No	Yes
Recall last reading	No	Yes
High audible & visual alarm	No	Yes
Emissivity	pre set 0.95	0.3-1.0 digitally adjustable
Temperature display	1°F or °C, switch selectable	
Laser Sighting	ST-2000: singlepoint ST-3000/ST-6000 8-point circular	
Ambient operating range	32-120°F (0 to 50°C)	
Battery life	9 V Alkaline - ~ 50 hrs Use of backlight reduces battery life	
Dimensions	5.4" (13.5 cm) L x 1.6" (4 cm) W x 7.7" (19.5 cm) H.	
Weight	9.5 oz (270 gm)	
Accessories	Pouch/wrist strap/belt hook kit,	

Target sighting and spot sizes



Ordering Information

Model	Description
ST-2000	Emissivity=.95, singlepoint laser
ST-3000	Emissivity=.95, 8-point laser
ST-6000	Adjustable Emissivity, 8-point laser
Options	Description
-N	NIST Calibration
ST-8000	Carrying Pouch