

TDD DIGITAL TEMPERATURE SWITCH



Flow
Pressure
Level
Temperature
measurement
monitoring
control

T1



- **-58°F to 250°F Switching Range**
- **Fully Programmable with Setpoint, Reset Point and Window Capability**
- **Large Easy-to-Read LED Display**
- **All Stainless Steel Construction**
- **Rugged and Reliable**
- **Remote Sensor Available**



USA

KOBOLD Instruments Inc.
1801 Parkway View Drive
USA-Pittsburgh, PA 15205
☎ +1 412-788-2830
Fax +1 412-788-4890
E-mail: info@koboldusa.com



CANADA

KOBOLD Instruments Canada Inc.
9A Aviation
Pointe-Claire, QC H9R 4Z2
☎ +1 514-428-8090
Fax +1 514-428-8899
E-mail: kobold@kobold.ca

Visit KOBOLD Online at
www.kobold.com

Model:
TDD

Features

- -58°F to 250°F Switching Range
- Fully Programmable with Setpoint, Reset Point and Window Capability
- Large Easy-to-Read LED Display
- All Stainless Steel Construction
- Rugged and Reliable
- Remote Sensor Available

The TDD series digital temperature switch integrates the latest solid state sensing technology into a very versatile, simple to operate package. Programming features include setpoint, reset point, window mode, dampening, switch logic and user selectable lockout code. The digital semiconductor sensing system and solid state transistor switch ensure an exceptionally long cycle life with virtually no calibration drift. These features along with the compact, robust stainless steel package make the TDD an ideal choice for OEM or industrial applications.

The TDD is available with the controller mounted directly onto the sensing probe or separated for mounting the probe remotely from the controller. Various probe lengths are available. The remote probe version has a smooth shank (no fitting) allowing the user to adjust the probe insertion depth by installing with a compression fitting sold as an accessory item.

Specifications

Switching Range:	Per-ordering Code
Display Type:	3-digit LED
Display Resolution:	±0.5° between -10°F and +100°F ±1°F above 100°F
Switch Status Indicator:	Single red LED, on when temperature is above setpoint
Accuracy:	
14°F to 185°F:	±1°F
185 to 250°F:	±3.6°F
-58°F to 14°F:	±3.6°F
Max. Pressure:	1150 PSIG



TDD Series Digital Temperature Switch

Ambient Temp. Range:	-4°F to 120°F
Sensor Element:	Semi-conductor
Housing and Probe Material:	316L Stainless Steel
Electrical Data Power:	24 VDC ±20%
Switch Type:	Transistor NPN or PNP based on model number
Switch Rating:	300 mA Max. short circuit protected
Switch Logic:	User programmable N/O or N/C
Sample Rate:	0.5 Sec./sample
Dampening:	Programmable averaging over 2, 4, 8, 16, 32, or 64 samples

Electrical Connection:	4-Pin Micro-DC male plug or PVC jacketed cable
-------------------------------	--

Electrical Protection:	NEMA 4/IP 65
-------------------------------	--------------

Cable for Remote Probe:	Teflon 8ft. std.
--------------------------------	------------------

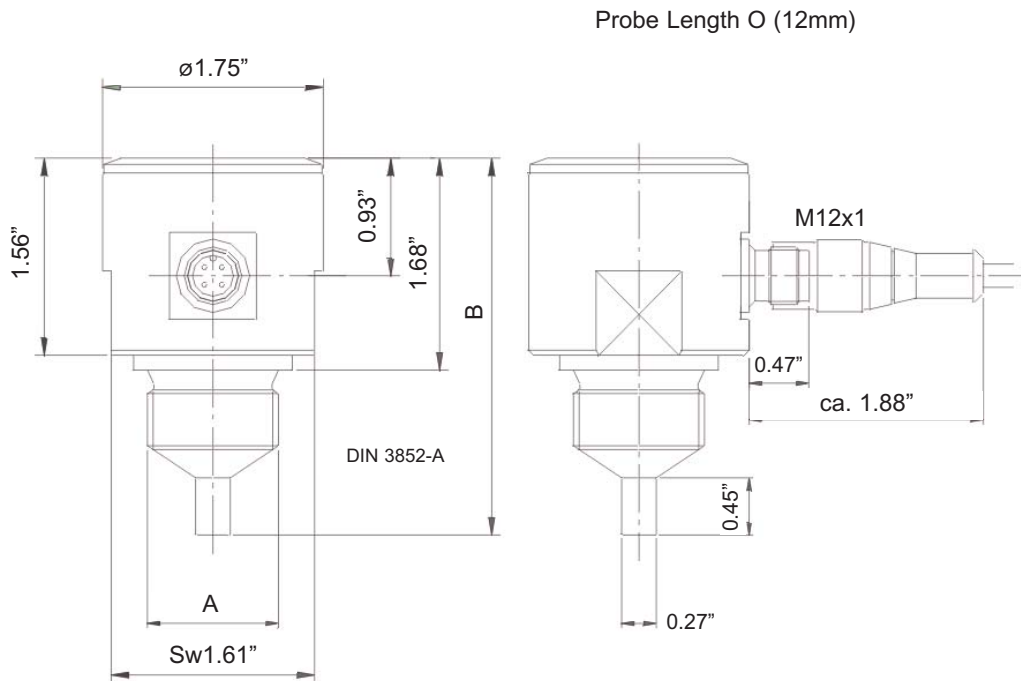
Programmable Functions

- Lockout Code
- Setpoint
- Switching Hysteresis
- Window Switching
- Switch Logic
- Dampening

T1

TDD Series Ordering codes	
TDD	= Electronic Temperature Switch
153	= PNP Transistor Switch Output Type
353	= NPN Transistor Switch
N4	= 1/2" NPT Process Connection
N5	= 3/4" NPT
D6	= Remote Probe Smooth Shank 8ft. Cable w/ Micro-DC Plug
F2	= 0 to 250°F Range
F3	= -58 to 250°F (Available Only with Fitting D6)
H2	= -20 to 120°C
H3	= -50 to 125°C (Available Only with Fitting D6)
0	= 12 mm (1/2") (Not Available with Fitting D6) Probe Length
1	= 100 mm (4")
2	= 185 mm (7.25") (Not Available with Fitting D6)
L3M	= Micro-DC plug, 4-Pin male Electrical Connection
L3P	= 3 Ft. PVC cable
L3S	= Custom length PVC cable
EC	= Extended Cable Length on Process Connection D6 Options
(*Specify desired Cable Length When Ordering)	
TDD - 153 - N4 - F2 - 0 - L3M - EC Example TDD ordering code	
Accessories	
Part# 807.037 - Mating 4-Pin Micro-DC plug with 6 ft. cable.	
Part# TD-FTFHG1/4SS - 6 mm 316 SS Bore Through Compression Fitting x 1/4" NPT for Remote Probe Installation.	
Part# TSR-FTFHG1/2SS - 6 mm 316 SS Bore Through Compression Fitting x 1/2" NPT for Remote Probe Installation.	

Dimensions



Dimensions

Probe Length 1 and 2 (100 mm and 185 mm)

