

## DFT COMPACT PADDLE FLOW SENSOR



Flow  
Pressure  
Level  
Temperature  
measurement  
monitoring  
control



- Flow Rates From 0.02 to 12 GPM
- Teflon or Brass Bodies
- Pulse Flow Signal Standard
- Optional Digital Display Transmitter/Controller
- No Straight Run Requirements
- Can Be Mounted in Any Orientation
- Compact, Economical Design

S4



### USA

KOBOLD Instruments Inc.  
1801 Parkway View Drive  
USA- Pittsburgh, PA 15205  
☎ +1 412-788-2830  
Fax +1 412-788-4890  
E-mail: info@koboldusa.com



### CANADA

KOBOLD Instruments Canada Inc.  
9A Aviation  
Pointe-Claire, QC H9R 4Z2  
☎ +1 514-428-8090  
Fax +1 514-428-8899  
E-mail: kobold@kobold.ca

Visit KOBOLD Online at  
[www.kobold.com](http://www.kobold.com)

Model:  
DFT



Features

- Flow Rates From 0.02 to 12 GPM
- Teflon or Brass Bodies
- Pulse Flow Signal Standard
- Optional Digital Display Transmitter/Controller
- No Straight Run Requirements
- Can Be Mounted in Any Orientation
- Compact, Economical Design

The DFT compact series of paddle flow sensors embodies the same rugged reliability of the workhorse DF series in a compact, more economical design. The DFT uses an inlet nozzle to re-direct flow onto the paddle thus there are no straight piping requirements as with many other paddle type designs. The DFT series is available in two material combinations to handle a wide variety of liquids. The nickel plated brass version handles water, light chemicals and low viscosity liquids (<10 cSt), while the teflon version will stand up to aggressive chemicals. An open collector frequency output is standard with an optional controller which offers an LED display, analog flow transmitter and programmable relays.



KOBOLD DFT Series Compact Paddle Flow Sensors

Specifications

- Flow Range:** 0.02-0.14 GPM to 0.5-12 GPM
- Accuracy:** ±2.5% of full scale
- Media:** Water and other low viscosity liquids
- Maximum Pressure:**  
**Brass Body:** 230 PSIG  
**Teflon Body:** 85 PSIG
- Temperature Range:** -10 to 180°F
- Wetted Materials:**  
**Brass Body:** Nickel plated brass, 316 SS, delrin, buna-N  
**Teflon Body:** Teflon, ceramic

Electrical Data

- Pulse Flow Transmitter:**  
**Output Type:** NPN open collector  
**Frequency Range:** 0-100 Hz nominal  
**Power Supply:** 5-24 VDC, 10 mA Max. sink current
- Electrical Connection:** DIN 43650 Plug, PG 11
- Electrical Protection:** NEMA 4X/IP 65

Electronic Controller (option -K20, K5, K10)

- Functions:** Display, flow transmitter, two setpoint relays
- Power Supply:** 24 VDC ±10%, 5 watts
- Display:** 3 digit LED
- Flow Transmitter:** 4-20 mA, 0-5 VDC or 0-10 VDC, 3-wire

Relays:

Two pushbutton settable min/max relays, SPDT 2Amps@ 240 VAC

Electrical Connection:

5 ft. PVC jacketed cable

Electrical Protection:

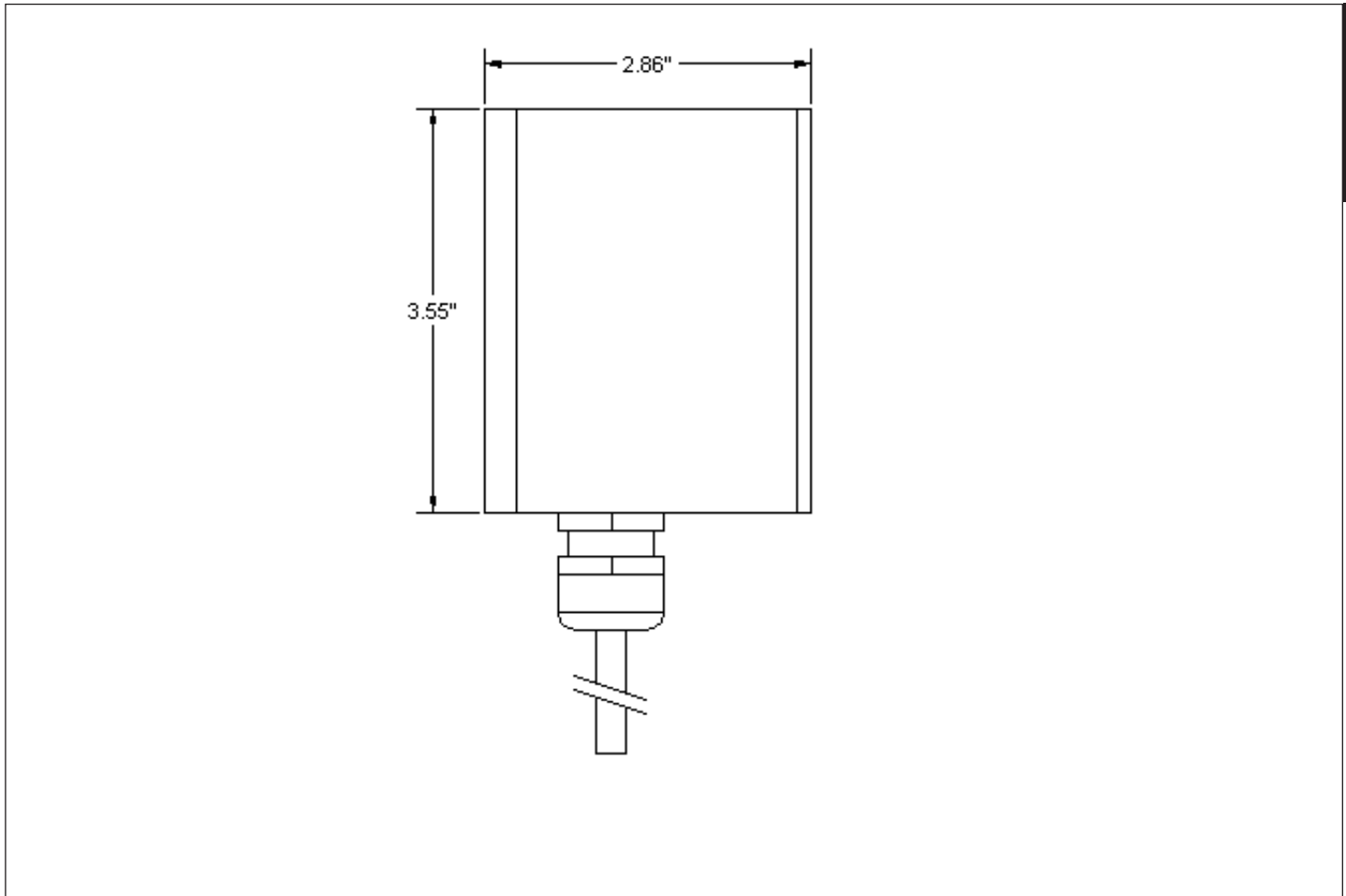
NEMA 4X/IP 65

Order Numbers

Range Water GPM	Standard Fitting NPT	Body Material		Options Add Suffix to Model #	
		Brass	Teflon	Larger Fittings Suffix "-B"	Electronic Controller
0.02 - 0.14	1/4"	DFT-D3301	DFT-D3501	1/2"	-K5 = controller with 0-5 VDC output  -K10 = controller with 0-10 VC output  -K20 = controller with 4-20 mA output
0.05 - 0.30	1/4"	DFT-D3302	DFT-D3502	1/2"	
0.05 - 0.60	1/4"	DFT-D3303	DFT-D3503	1/2"	
0.1 - 0.7	1/4"	DFT-D3304	DFT-D3504	1/2"	
0.2 - 2.5	1/2"	DFT-D3305	DFT-D3505	3/4"	
0.4 - 5	1/2"	DFT-D3306	DFT-D3506	3/4"	
0.5 - 6	3/4"	DFT-D3307	DFT-D3507	-	
0.5 - 12	3/4"	DFT-D3308	DFT-D3508	-	

DIMENSIONS

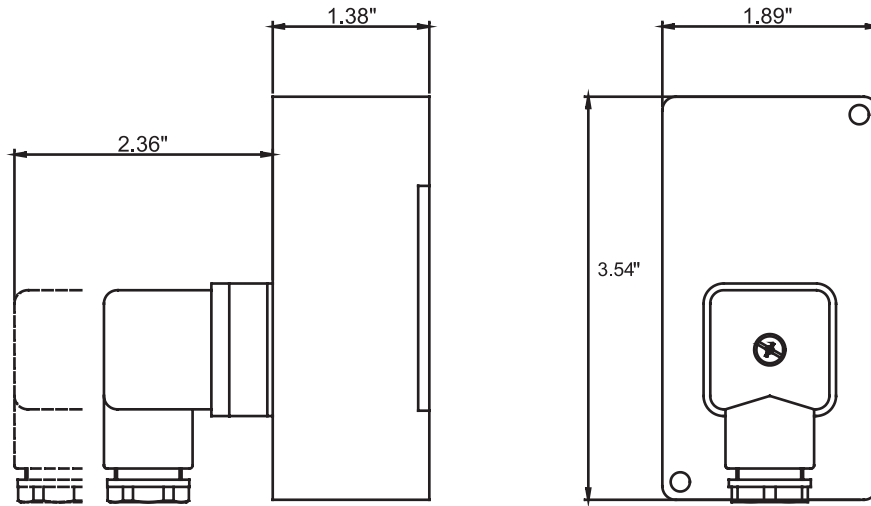
Electronic Housing (Option-K)



S4

DIMENSIONS

Brass



Teflon

