

KSR/SVN MICRO FLOW SWITCH WITH FACTORY SET SWITCH POINT



Flow
Pressure
Level
Temperature
measurement
monitoring
control

S1



- Control of Very Small Liquid or Gas Flows
- 303 SS Media Contacted Parts
- Proximity Switch or Reed Contact
- Vertical Connection for In-Line Mounting



USA

KOBOLD Instruments Inc.
1801 Parkway View Drive
USA-Pittsburgh, PA 15205
☎ +1 412-788-2830
Fax +1 412-788-4890
E-mail: info@koboldusa.com



CANADA

KOBOLD Instruments Canada Inc.
9A Aviation
Pointe-Claire, QC H9R 4Z2
☎ +1 514-428-8090
Fax +1 514-428-8899
E-mail: kobold@kobold.ca

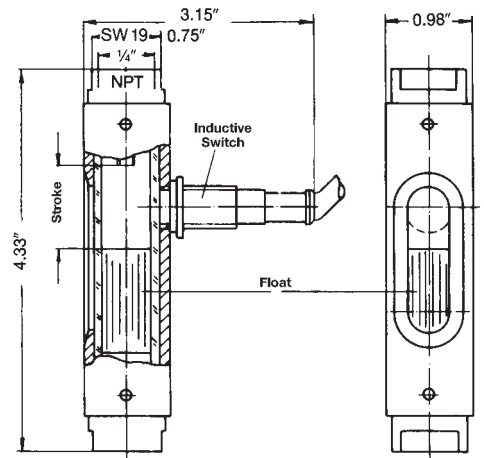
Visit KOBOLD Online at
www.kobold.com

Model:
KSR/SVN

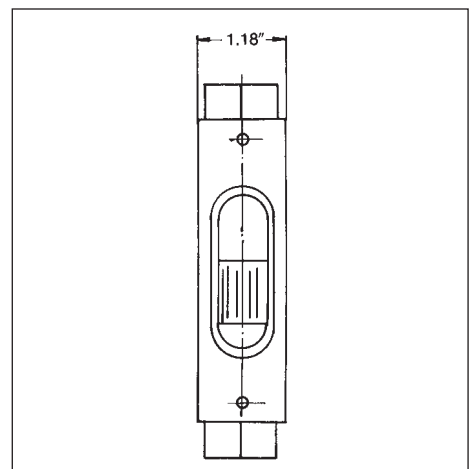


SVN...
with proximity switch

SVN...



KSR...
with reed-switch



Operational reliability:

Flow switch types SVN and KSR operate on the same principle as a float-type flow indicator. Provided that the flow rate is above a preselected minimum, a float is raised from its seat and travels its full stroke to its upper stop.

Type SVN utilizes a proximity switch which transmits a signal to an amplifying relay as the switch passes by the float. This causes a signaling, or switching, sequence to be triggered as chosen by the user.

Type KSR contains a magnet in its float. This magnet switches an electrically isolated reed-switch. If the maximum switching capacity of the reed switch is not exceeded, no supplemental relay is required to provide a triggering function. If additional switching capacity is required, KOBOLD can supply an isolation relay to protect the flow switch from damage.

Specifications:

Switching Ranges (factory set)

Water: 0.03-4 GPH (Model SVN)

0.03-2.5 GPH (Model KSR)

Air: 0.1-13 SCFH

Max. Temperature: 160°F

Max. Pressure: 230 PSIG

Wetted Parts: 303 SS, Viton, Borosilicate glass

Housing: Anodized aluminum

Fitting: 1/4" NPT

Order Number	Limit Switch	Medium	Connection (female)	Set point (specify in writing)
SVN-1200	Switch Namur 7.7-9 VDC, 2-wire			
SVN-1201	Switch DC voltage 5-24 VDC, 3-wire	W=water L=air A=other	R08 = G1/4 N08 = NPT 1/4	Example: Nitrogen gas, 5 SCFH decreasing flow
KSR-1200	Reed contact N/O 24 V/0.1 A/1watt			
KSR-1201	Reed contact SPDT 100V/0.5 A/ 5 watt			