

**KSK
PLASTIC FLOWMETER AND SWITCH**



Flow
Pressure
Level
Temperature
measurement
monitoring
control

- Accuracy: $\pm 4\%$ of Full Scale
- Shock and Corrosion Proof
- Maximum Pressure 145 PSIG
- Polysulfone Version has Excellent Resistance to Acids and Alkaline Solutions
- Compact Design



S1



USA

KOBOLD Instruments Inc.
1801 Parkway View Drive
USA-Pittsburgh, PA 15205
☎ +1 412-788-2830
Fax +1 412-788-4890
E-mail: info@koboldusa.com



CANADA

KOBOLD Instruments Canada Inc.
9A Aviation
Pointe-Claire, QC H9R 4Z2
☎ +1 514-428-8090
Fax +1 514-428-8899
E-mail: kobold@kobold.ca

Visit KOBOLD Online at
www.kobold.com

Model:
KSK



Features

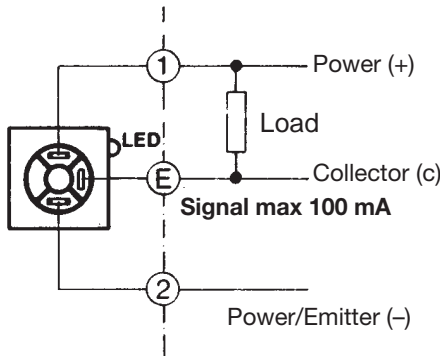
- Accuracy: ±4% of Full Scale
- Shock and Corrosion Proof
- Maximum Pressure 145 PSIG
- All Plastic Wetted Parts for Excellent Resistance to Acids and Alkaline Solutions
- Compact Design

The KOBOLD KSK plastic flowmeters/ flow switches operate on the basis of the well known variable area principle. The medium flows upward through a conically widening plastic measuring tube. The float is lifted by the flowing medium and indicates the instantaneous flow rate on the scale attached to the flowmeter. The KSK series is all plastic with bodies made of nylon Polysulfone or PVDF to handle aggressive media.

For the control of flow setpoints, a bistable switch can be provided for the instrument. Reed contacts or transistor switches are available and can be used to monitor and alarm on an upset flow condition. The transistor switch has an LED on the contact housing to indicate switching status.



Transistor Switch



Specifications

- Accuracy:** ±4% full scale
Flow Media: air or water and other liquids
Mounting: vertical, flow up
Max. Temperature:
PVDF: 250°F
Trogamid: 140°F
Polysulfone: 140°F w/ PVC Fittings
 180°F w/ Polypro, brass & SS fittings

- Max. Pressure:** 145 PSIG
Materials
Measuring Tube: Polysulfone, Trogamid-T or PVDF
Float: PVDF
O-Rings: EPDM
Connection with Capnut: per ordering code

- Switch Specifications**
NPN Transistor: Hall-Sensor, bistable NPN open collector
Operating Voltage: 9-24 VDC
Operating Current: Max.100 mA
Ambient Temp: 130°F max.
Hysteresis: <0.24"
Output Signal: LED lights w/ flow above setpoint

- Reed Switch:** SPST N/O or N/C based on order code
Electrical Ratings: Max. 230 VAC, 12w, 0.5A
Ambient Temp: Max. 130°F
Protection: NEMA 4X/IP65

Measuring Scales
 Measuring scales are available for water and air. Compressed air scales are available in SCFM, calibrated for direct readings at operating pressures from zero to 145 PSIG. The compressed air scale table shows the available ranges and calibration pressures for each meter size.



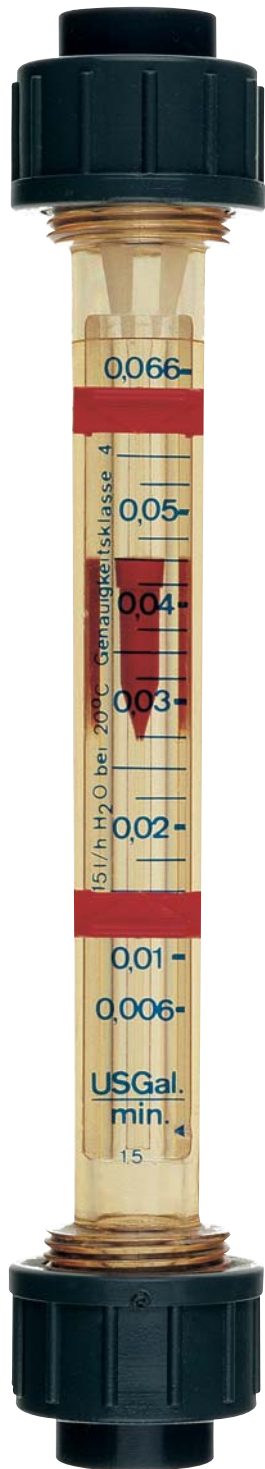
Compressed Air Scales

Model	SCFM (0 PSIG)	SCFM (15 PSIG)	SCFM (30 PSIG)	SCFM (45 PSIG)	SCFM (60 PSIG)	SCFM (75 PSIG)	SCFM (85 PSIG)	SCFM (100 PSIG)	SCFM (115 PSIG)	SCFM (130 PSIG)	SCFM (145 PSIG)
KSK-.15	0.06-0.27	0.12-0.35	0.12-0.44	0.12-0.5	0.18-0.6	0.18-0.65	0.18-0.7	0.24-0.77	0.24-0.8	0.24-0.83	0.24-0.9
KSK-.25	0.12-0.65	0.15-0.9	0.18-1.1	0.18-1.3	0.24-1.5	0.30-1.6	0.30-1.7	0.30-1.8	0.35-2.0	0.35-2.1	0.60-2.1
KSK-.50	0.24-1.2	0.30-1.7	0.35-2.0	0.40-2.4	0.47-2.7	0.53-3.0	0.60-3.2	0.60-3.4	0.60-3.5	0.75-3.8	0.90-4.1
KSK-.80	0.30-1.8	0.40-2.5	0.40-3.3	0.60-3.8	0.60-3.9	0.60-4.0	1.0-5.0	0.90-5.3	0.90-5.6	0.90-6.0	0.90-6.2
KSK-100	0.40-2.1	0.60-3.0	0.70-3.5	0.90-4.1	1.0-4.7	1.2-5.3	1.2-5.6	1.2-6.0	1.5-6.2	1.5-6.5	1.5-7.0
KSK-150	0.60-3.5	0.90-4.4	1.2-5.3	1.2-7.0	1.5-7.7	1.5-8.3	1.8-8.9	1.8-9.4	1.8-10.0	2.1-10.1	2.1-11.5
KSK-200	0.90-10.3	1.5-6.0	1.8-7.7	2.1-8.6	2.4-10.0	2.7-11.2	3.0-11.8	3.0-13.3	3.5-13.6	3.5-14.2	3.5-14.8
KSK-300	0.60-6.0	0.90-8.3	1.2-10.0	1.5-11.8	1.8-13.6	1.8-14.2	2.1-14.8	2.1-16.2	2.1-17.7	2.4-18.3	2.4-18.9
KSK-500	1.2-10.0	1.8-14.2	2.4-16.5	2.4-19.0	3.0-21.2	3.0-23.6	3.5-24.8	3.5-26.6	3.5-28.3	4.1-30.0	4.1-33.0
KSK-999	3.5-18.3	4.7-26.0	6.0-32.0	7.1-36.6	7.1-41.0	8.9-44.3	8.9-47.2	8.9-53.1	8.9-56.0	8.9-59.0	11.8-62.0

S1

Order Numbers for Standard Types

Range Water GPM	Max. Press. Drop PSI	Material			Measuring Scale	Fittings	Switch Option
		Trogamid	Polysulfone	PVDF			
0.006-0.05	0.07	KSK-1015...	KSK-2015	KSK-3015	Water Scale G=GPM water H=LPH water M=LPM water Air Scales (see Table) 0S= 0 PSIG 1S=15 PSIG 2S=30 PSIG 3S=45 PSIG 4S=60 PSIG 5S=75 PSIG 6S= 85 PSIG 7S=100 PSIG 8S=115 PSIG 9S=130 PSIG Z=145 PSIG	For KSK-K015 to X100 P10=Polypro, 3/8" NPT Female K10=PVC, 3/8" Glue Socket T10=PVC, 3/8" NPT Female V16=PVDF Butt Weld 16mm O.D.	00=Without Switch S0=1N/O Reed Sw. SS=2N/O Reed Sw. C0=1N/C Reed Sw. CC=2N/C Reed Sw. EO=1NPN Switch EE=2NPN Switches
0.01-0.10	0.07	KSK-1025...	KSK-2025	KSK-3025			
0.02-0.20	0.07	KSK-1050...	KSK-2050	KSK-3050			
0.04-0.44	0.07	KSK-1100...	KSK-2100	KSK-3100			
0.035-0.35	0.07	KSK-1080	KSK-2080	KSK-3080			
0.06-0.66	0.07	KSK-1150	KSK-2150	KSK-3150			
0.08-0.8	0.07	KSK-1200	KSK-2200	KSK-3200			
0.13-1.3	0.12	KSK-1300	KSK-2300	KSK-3300			
0.22-2.2	0.12	KSK-1500	KSK-2500	KSK-3500			
0.44-4.4	0.12	KSK-1999	KSK-2999	KSK-3999			
					For KSK-K080 to X200 P15=Polypro, 1/2" NPT Female K15=PVC 1/2" Glue Socket T15=PVC 1/2" NPT Female V15=PVDF, 1/2" Butt Weld IN1=Brass, 1/2" NPT Female AN1=Brass, 1/2" NPT Male AN3=316 SS, 3/4" NPT Male IN2=316 SS, 1/2" NPT Female AN2=316SS, 1/2" NPT Male		
					For KSK-K300 to X999 P25=Polypro, 1" NPT Female K25=PVC, 1" Glue Socket T25=PVC, 1" NPT Female V25=PVDF, 1" Butt Weld		



Dimensions (with PVC Glue Socket, Female NPT and PVDF Butt Weld)					
Model	DN	da	L	L1	L2
KSK..015..	3/8"	1/2"	6.5	6.7	7.8
KSK..025..	3/8"	1/2"	6.5	6.7	7.8
KSK..050..	3/8"	1/2"	6.5	6.7	7.8
KSK..080..	1/2"	3/4"	7.3	7.5	8.8
KSK..100..	3/8"	1/2"	6.5	6.7	6.5
KSK..150..	1/2"	3/4"	7.3	7.5	8.8
KSK..200..	1/2"	3/4"	7.3	7.5	8.8
KSK..300..	1"	1-1/4"	7.9	8.1	9.8
KSK..500..	1"	1-1/4"	7.9	8.1	9.8
KSK..999..	1"	1-1/4"	7.9	8.1	9.8

Dimensions (with Special Thread Fittings in Brass or Stainless Steel)					
Model	L	L2	Female	Male	SW
KSK..015..	6.5	-	-	-	-
KSK..025..	6.5	-	-	-	-
KSK..050..	6.5	-	-	-	-
KSK..080..	7.3	9.6	1/2" NPT	1/2" or 3/4" NPT	36 mm
KSK..100..	6.5	-	-	-	-
KSK..150..	7.3	9.6	1/2" NPT	1/2" or 3/4" NPT	36 mm
KSK..200..	7.3	9.6	1/2" NPT	1/2" or 3/4" NPT	36 mm
KSK..300..	7.9	-	-	-	-
KSK..500..	7.9	-	-	-	-
KSK..999..	7.9	-	-	-	-

