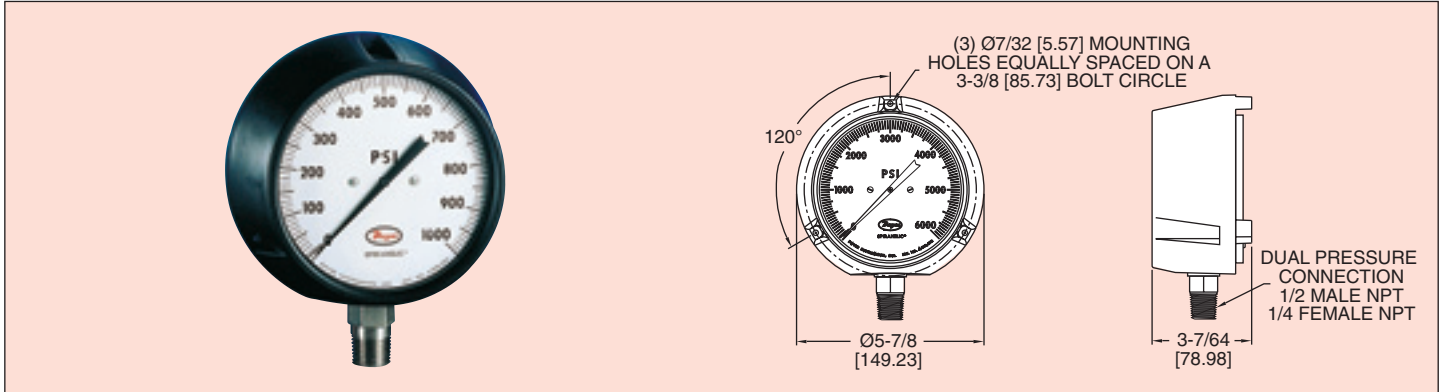




Series 7000B **Spirahelic® Direct Drive Pressure Gages**
 4 1/2" Turret Mount Gage, ASME Grades A & 2A



STOCKED MODELS in bold

Grade A Accuracy (2%-1%-2%)	
Model Number	Ranges (psig)
7100B-G060	60
7100B-G100	100
7100B-G200	200
7100B-G300	300
7100B-G600	600
7100B-GC010	1000
7100B-GC020	2000
7100B-GC030	3000
7100B-GC060	6000

STOCKED MODELS

Grade 2A Accuracy (1/2% of F.S.)	
Model Number	Ranges (psig)
7112B-G030	30
7112B-G060	60
7112B-G100	100
7112B-G160	160
7112B-G200	200
7112B-G300	300
7112B-G600	600
7112B-GC010	1000
7112B-GC020	2000
7112B-GC030	3000
7112B-GC060	6000
7112B-GC100	10000

SPECIFICATIONS

Service: Compatible gases & liquids.

Wetted Materials: Grade A Accuracy: Beryllium Copper Bourdon Tube, nickel plated brass connection block.
 Grade 2A Accuracy: Inconel® X-750 Bourdon Tube, Type 316L SS connection block.

Housing: Black polycarbonate case and clear acrylic cover.

Accuracy: Grade A (2%-1%-2%); Grade 2A (0.5% F.S.).

Pressure Limit: 150% of full scale. Gage will maintain its specifications for overpressures up to 150% maximum range. Normal operation should be between 25% and 75% of full scale.

Temperature Limits: -65 to 180°F (-53.9 to 82.2°C).

Size: 4-1/2" (114.3 mm) dial face– Design conforms to ASME B40.1.

Process Connections: Dual size 1/2" male NPT / 1/4" female NPT, bottom connections.

Weight: 18.2 oz (516 g).

ACCESSORY

A-170, 316 Stainless Steel Pigtail Siphon 1/4" male NPT

POPULAR MODELS

Compound Gages - Grade 2A Accuracy (1/2% of F.S.)	
Model Number	Ranges (psig)
7112B-G030C	30" Hg-0-30
7112B-G045C	30" Hg-0-45
7112B-G060C	30" Hg-0-60
7112B-G100C	30" Hg-0-100