

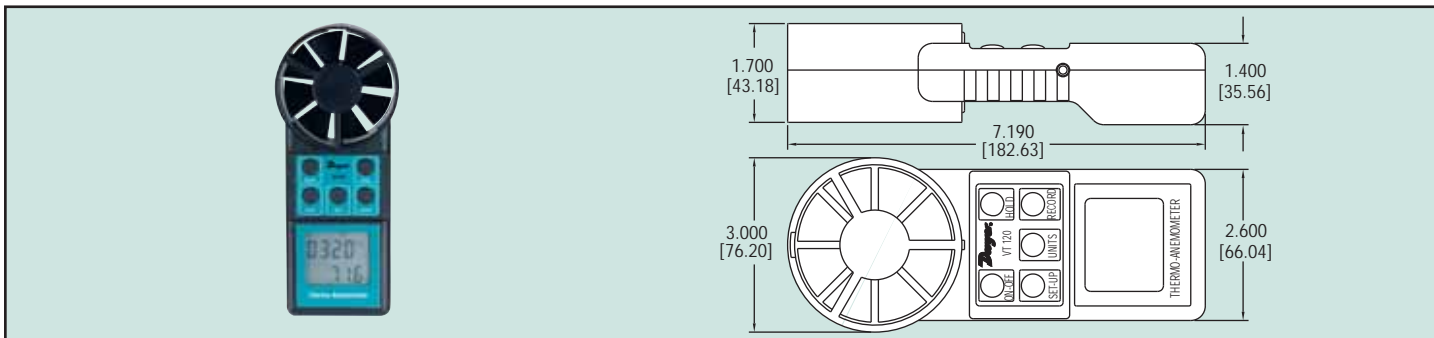


Model
VT120

Integral Vane Thermo-Anemometer

Large 1-1/4" Dual Display, One Hand Operation

CE



Air Velocity

Simultaneously measure air velocity and temperature with the Model VT120 Integral Vane Thermo-Anemometer. Easily view readings on the large 1.25" (31.75 mm) dual display. User-selectable air velocity ranges include ft/min, m/sec, mph, knots, and km/hr. Built-in thermistor records ambient temperature in °F or °C. Model VT120 features include data hold and record/recall minimum, maximum and average readings. Also, units have the ability to record and average up to 2 hours of data while displaying the continuous running average. If desired, sleep mode automatically shuts down the meter after 20 minutes of non-use. Model VT120 includes hard carry case, one 9V battery, and instruction manual.

Model VT120, Integral Vane Thermo-Anemometer

Model VT120-N, includes NIST certification

APPLICATIONS

Air duct measurement and analysis, fume hood analysis, ionizer flow output monitoring, positive pressure reading in clean rooms, or ventilation system inspection.

SPECIFICATIONS

Air Velocity Ranges: 80 to 5900 ft/min, 0.4 to 30 m/sec, 0.9 to 68 mph, 0.8 to 58 knots, 1.4 to 108 km/hr.

Temperature Range: 14 to 122°F (-10 to 50°C).

Accuracy: Air velocity: ±3%, Temperature: ±1°F (±0.6°C).

Resolution: 1 ft/min, 0.01 m/sec, 0.1 mph, 0.1 knots, 0.1 km/hr, 0.1°F, 0.1°C.

Temperature Sensor: Thermistor.

Temperature Limits: 14 to 122°F (-10 to 50°C) max 80% RH.

Power Supply: One 9V battery.

Battery Life: 100 hours continuous (with 20 min sleep mode enabled).

Display: Large 1.25 x 1.62" (37 x 42 mm) LCD, 9999 count.

Housing: ABS plastic.

Sensor Diameter: 2.87" (70 mm).

Weight: 1.5 lb (680 g).

Agency Approvals: CE.