



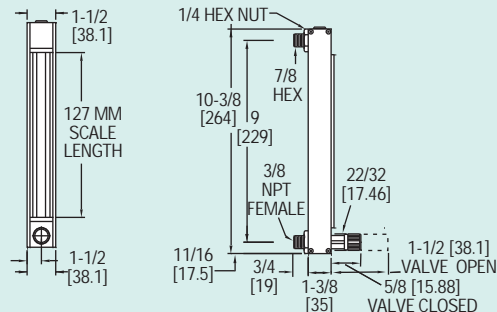
Series  
DR4

# High Flow Glass Flowmeters

Direct Reading, 127 mm Scale,  $\pm 10\%$  FS Accuracy, Interchangeable Flowtubes



**Panel Mounting:**  
Drill two 7/8" dia.  
holes at 9" apart.



**Series DR4 Glass Flowmeters** offer a simplified solution to the problem of fluid flow indication at higher capacity levels. Flowmeters have a direct reading scale for air or water and are designed to withstand even the harshest industrial applications. Permanently fused ceramic scale has integral float guides for optimum float performance. Reflective plastic background and 1.5 X magnification lens reduces eye fatigue and allows for more accurate readings. Units include a safety blow-out back panel for additional protection.

| Model (127 mm scale) |        |            |        |                 |                 |
|----------------------|--------|------------|--------|-----------------|-----------------|
| Without Valve        |        | With Valve |        |                 |                 |
| Brass                | SS     | Brass      | SS     | Flow Rate (Air) | Flow Rate (H2O) |
|                      |        |            |        | scfm (SLPM)     | GPM (LPM)       |
| DR4101               | DR4201 | DR4141     | DR4241 | 0.2-4 (5-120)   | —               |
| DR4103               | DR4203 | DR4143     | DR4243 | 0.5-11 (20-320) | —               |
| DR4104               | DR4204 | DR4144     | DR4244 | 1-16 (20-500)   | —               |
| DR4106               | DR4206 | DR4146     | DR4246 | —               | 0.1-2 (0.5-8)   |
| DR4108               | DR4208 | DR4148     | DR4248 | —               | 0.2-4 (1-16)    |
| DR4109               | DR4209 | DR4149     | DR4249 | —               | 0.5-5 (1-22)    |

## SPECIFICATIONS

**Service:** Compatible gases or liquids.

### Wetted Materials:

Flowtube: Borosilicate glass.

Float: 316 SS.

Float Stops: PTFE.

End Fittings: Brass or 316 SS.

O-rings: Buna-N on brass models and Fluoroelastomer on SS models.

**Temperature Limits:** 250°F (121°C).

**Pressure Limits:** 200 psig (13.8 bar).

**Accuracy:**  $\pm 10\%$  FS @ 70°F (21.1°C) and 14.7 psia (1 atm absolute).

**Repeatability:**  $\pm 0.25\%$  of scale reading.

**Scale:** Direct reading 127 mm scales for air or water.

**Turn-down Ratio:** 10:1.

**Connection:** 3/8" female NPT.

**Mounting:** Vertical.

**Valve:** 6-turn needle (standard on models with valve).

Add suffix "M" for metric scale.