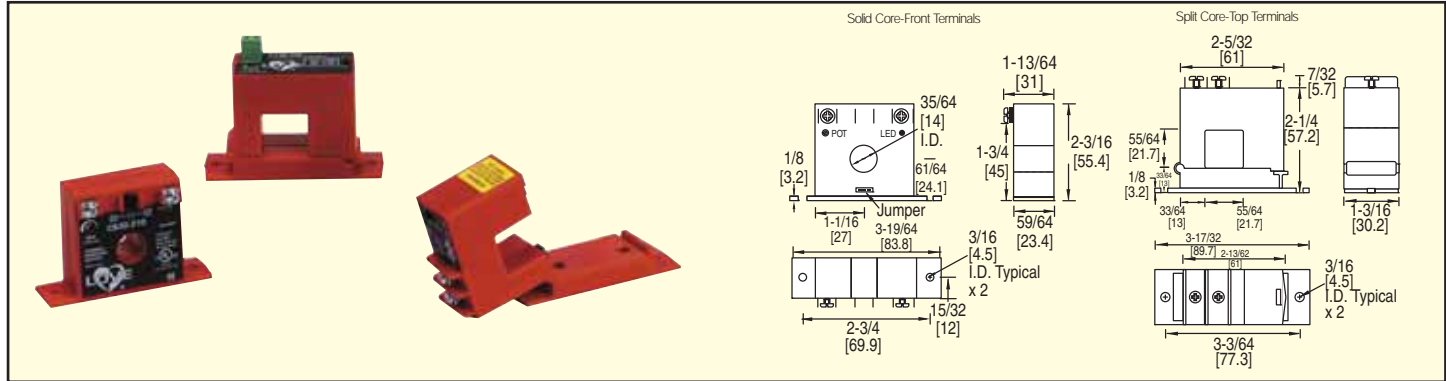




Series  
CS

# Current Switches

Universal Output, Solid or Split Core Case



The CS Series Current Switches combine a current transformer, signal conditioner and limit alarm into a single package. The CS series has an extended current input range, universal solid-state outputs and a wide frequency response. Available in a split core or a solid core case. Switches feature LED indication for local display or switch status.

Model Number	Setpoint Range	Core	Voltage
CS20-100	Adj. 1.75-150 A	Split	240 VAC/DC
CS20-220	Adj. 1-150 A	Solid	240 VAC/DC
CS40-220	Selectable 1-6, 6-40, & 40-175 A	Solid	240 VAC
CS50-100	Selectable 1-6, 6-40, & 40-175 A	Split	240 VDC

## SPECIFICATIONS

**Output:** Isolated, normally open.

**Power Requirements:** None, self powered.

**Temperature Limits:** -58 to 149°F (-50 to 65°C).

**Hysteresis:** 5% of output.

**Response Time:** CS20: 0.120 sec; CS40/50: 0.04 to .120 sec.

**Isolation Voltage:** 1270 VAC.

**Frequency:** 6-100 Hz.

**Enclosure Rating:** UL, V-O flammability rated, ABS plastic housing.

**Agency Approvals:** CE.