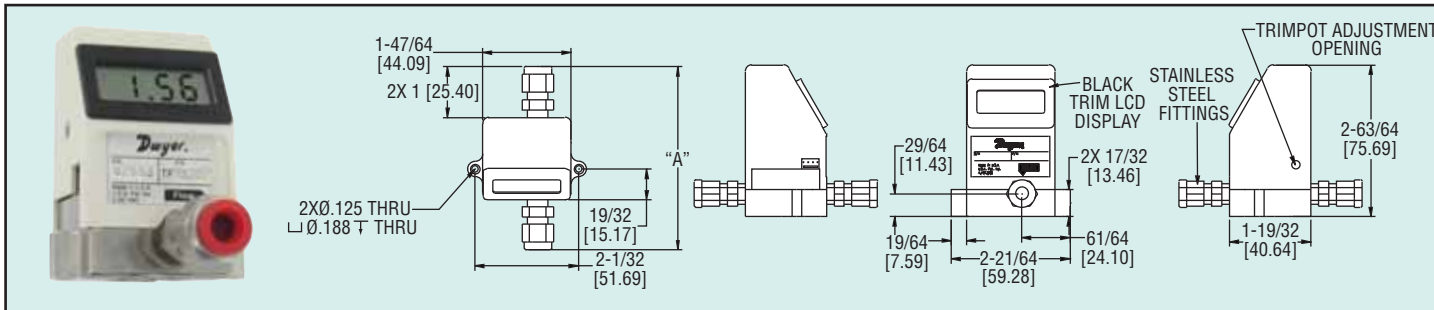




Series
TFM-LI

Liquid Turbine Flow Meter

316SS Body, 0 to 5 VDC Output, LCD Indication



Series TFM-LI Liquid Turbine Flow Meters are suitable for a wide variety of industrial, commercial, and laboratory flow applications. These meters utilize a turbine wheel and electro-optical detection to convert flow rates into a linear 0 to 5 VDC output signal for recording and data logging. A 3-1/2 digit LCD informs the user of the actual flow rate. A power adapter or mating cable assembly is required for operation.

Model	Range (LPM)	Connection	"A" (in)
TFM-LI03	0.17 to 1.32 GPH (0.013 to 0.1)	1/8" OD	3-9/16
TFM-LI04	0.26 to 2.64 GPH (0.02 to 0.2)	1/4" OD	3-41/64
TFM-LI05	0.66 to 6.6 GPH (0.05 to 0.5)	1/4" OD	3-41/64
TFM-LI06	1.32 to 13.2 GPH (0.1 to 1)	1/4" OD	3-41/64
TFM-LI07	2.64 to 26.4 GPH (0.2 to 2)	1/4" OD	3-41/64
TFM-LI08	0.11 to 1.1 GPM (0.5 to 5)	3/8" OD	3-27/32
TFM-LI09	0.22 to 2.2 GPM (1 to 10)	3/8" OD	3-27/32

ACCESSORIES

Model	Description
A-454	115 VAC Power Adapter and Signal Cable
A-455	230 VAC Power Adapter and Signal Cable
A-456	36" Mating Cable with Spliced Leads

SPECIFICATIONS

Service: Clean liquids compatible with wetted materials.

Wetted Materials: 316 SS, acetal, sapphire, glass, epoxy, and fluoroelastomer.

Accuracy: ±1% of full scale.

Linearity: ±1% of full scale.

Repeatability: ±0.2% of full scale.

Temperature Limits: 41 to 131°F (5 to 55°C); Storage: 32 to 158°F (0 to 70°C); Sensitivity: ±0.2% of full scale per °C.

Pressure Limits: 500 psig (34.5 bar).

Process Connection: Compression fitting, see model table.

Power Requirements: 11.5 to 15 VDC.

Power Consumption: 35 mA @ 12 VDC.

Output Signal: 0 to 5 VDC; Minimum 2.5 kΩ load.

Electrical Connections: Four-pin power and signal connector. A power adapter or mating cable required for operation. See Accessories Table.

Display: LCD, 0.39" (10 mm) digits.

Enclosure Rating: IP10 (NEMA 1).

Weight: 0.80 lb (380 g).
Agency Approvals: CE.