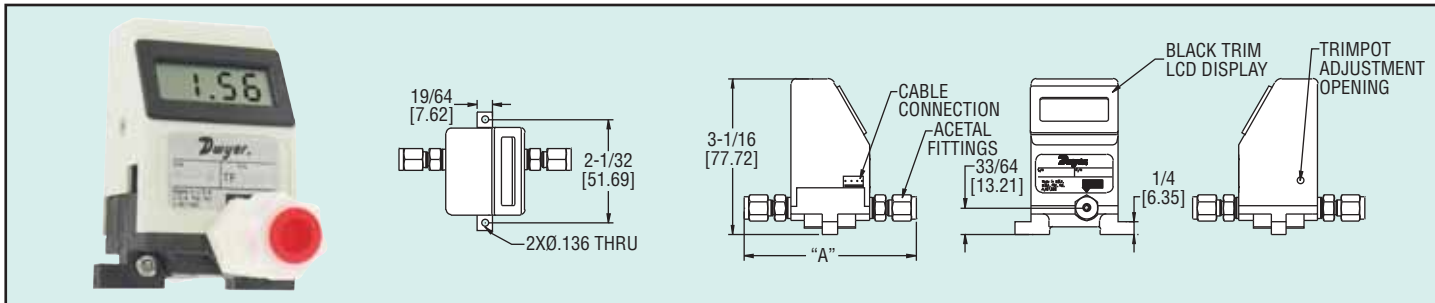




Series
TFP-LI

Liquid Turbine Flow Meter

PPS Body, 0 to 5 VDC Output, LCD Indication



Series TFP-LI Liquid Turbine Flow Meters are suitable for a wide variety of industrial, commercial, and laboratory flow applications. These meters utilize a turbine wheel and electro-optical detection to convert flow rates into a linear 0 to 5 VDC output signal for recording and data logging. A 3-1/2 digit LCD informs the user of the actual flow rate. A power adapter or mating cable assembly is required for operation.

| Model | Range | Connection | "A" (in) |
|----------|----------------------------------|------------|----------|
| TFP-LI03 | .21 to 1.6 GPH (.0013 to .1 LPM) | 1/8" OD | 3-27/64 |
| TFP-LI04 | .32 to 3.2 GPH (.02 to .2 LPM) | 1/4" OD | 3-13/16 |
| TFP-LI05 | .79 to 7.9 GPH (.05 to .5 LPM) | 1/4" OD | 3-13/16 |
| TFP-LI06 | 1.6 to 16 GPH (0.1 to 1 LPM) | 1/4" OD | 3-13/16 |
| TFP-LI07 | 3.2 to 32 GPH (.2 to 2 LPM) | 1/4" OD | 3-13/16 |
| TFP-LI08 | 7.9 to 79 GPH (.5 to 5 LPM) | 3/8" OD | 4-1/8 |
| TFP-LI09 | 16 to 160 GPH (1 to 10 LPM) | 3/8" OD | 4-1/8 |

ACCESSORIES

| Model | Description |
|-------|--|
| A-454 | 115 VAC Power Adapter and Signal Cable |
| A-455 | 230 VAC Power Adapter and Signal Cable |
| A-456 | 36" Mating Cable with Spliced Leads |

SPECIFICATIONS

Service: Clean liquids compatible with wetted materials.

Wetted Materials: PPS, acetal, sapphire, glass, epoxy, and fluoroelastomer.

Accuracy: ±1% of full scale.

Linearity: ±1% of full scale.

Repeatability: ±0.2% of full scale.

Temperature Limits: 41 to 131°F (5 to 55°C); Storage: 32 to 158°F (0 to 70°C); Sensitivity: ±0.2% of full scale per °C.

Pressure Limits: 100 psig (6.8 bar).

Process Connection: Compression fitting, see model table.

Power Requirements: 11.5 to 15 VDC.

Power Consumption: 35 mA @ 12 VDC.

Output Signal: 0 to 5 VDC: Minimum 2.5 kΩ load.

Electrical Connections: Four-pin power and signal connector. A power adapter or mating cable required for operation. See Accessories Table.

Display: LCD, 0.39" (10 mm) digits.

Enclosure Rating: IP10 (NEMA 1).

Weight: 0.27 lb (121 g).

Agency Approvals: CE.