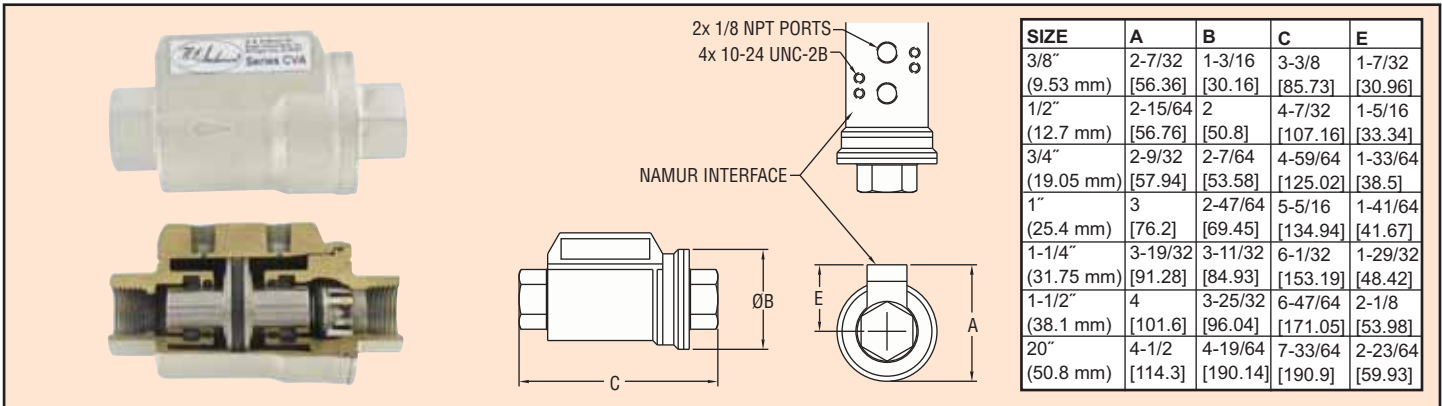




Series
CVA

Compact Valve and Actuator

Pneumatic Actuated, Direct Acting or Spring Return



CVA Series Actuated Valves

- Integrated pneumatic actuator.
- NAMUR solenoid mounting pad.
- Operating life over 1,000,000 cycles.
- Use in any mounting position.
- Ideal for air drying, laundry, dispensing, and pollution control equipment, process control applications, textile dyeing and drying, and industrial compressors.

Series CVA actuated valves combine a pneumatic actuator and a fast on-off control valve into one body, eliminating packing glands, actuators, and mounting kits. There are no exposed moving parts, eliminating pinch points and increasing operator safety. Because the actuator is part of the valve, costs are greatly reduced when compared to standard actuated valves. Balanced design reduces friction and wear, allowing the operating life to be tested to well over 1,000,000 cycles. The stroke is linear and parallel to the flow, dramatically reducing the required force to close or open the valve. The internal waterway design allows for optimum flow characteristics.

The pneumatic actuated valve can be double acting, spring return normally closed or normally open. The double acting model uses two supply ports (1/8" NPT) with one driving the valve open and the other driving the valve closed. Normally closed spring return pneumatic actuated models use the air supply to open the valve and internally loaded springs return the valve to the closed position. The normally open spring return model uses the air supply to close the valve and internally loaded springs return the valve to the open position.

APPLICATIONS

Ideal to use as an automated on/off valve on the compressed air lines for pneumatic conveying systems or pulse jet dust collectors.

SPECIFICATIONS

Body: 1-piece.

Line Size: 3/8" to 2".

End Connections: NPT female.

Pressure Limit: 150 psig (10.3 bar).

Wetted Materials:

Body: Nickel Plated Brass.

Seals: Buna-N, Fluoroelastomer or EPDM.

Temperature Limit:

Buna-N (NBR) Seals: -4 to 176°F (-20 to 80°C);

Fluoroelastomer Seals: -4 to 302°F (-20 to 150°C);

EPDM Seals: -4 to 302°F (-20 to 150°C).

ACTUATORS

Pneumatic

Type: DA is double acting and SR is spring return.

Normal Supply Pressure:

43.5 psig (3 bar) for double acting;

61 psig (4.2 bar) for spring return.

Maximum Supply Pressure:

116 psig (8 bar) for double acting;

116 psig (8 bar) for spring return.

Air Connections: 1/8" NPT.

Air Consumption: 3/8": 0.73 cu. in.; 1/2": 1.05 cu. in.; 3/4": 1.90 cu. in.; 1": 2.45 cu. in.; 1-1/4": 4.58 cu. in.; 1-1/2": 6.70 cu. in.; 2": 12.75 cu. in.

Stroke Time: DA01 & DA02: .01 sec; DA03 & DA04: .02 sec; DA05: .03 sec; DA06: .06 sec; DA07: .07 sec. (spring stroke) NC01 & NC02: .02 sec; NC03: .03 sec; NC04: .04 sec; NC05: .07 sec; NC06: .11 sec; NC07: .13 sec. (air stroke) NC01 & NC02: .01 sec; NC03 & NC04: .02 sec; NC05: .04 sec; NC06: .06 sec; NC07: .07 sec. NO same as NC.

Accessory Mounting: NAMUR.

Size	Seat & Seal Material	Cv	Double Acting	Spring Return: Normally Closed	Spring Return: Normally Open
			Model	Model	Model
3/8"	Fluoroelastomer	8	CVAA-DA01	CVAA-NC01	CVAA-NO01
1/2"	Fluoroelastomer	10	CVAA-DA02	CVAA-NC02	CVAA-NO02
3/4"	Fluoroelastomer	13	CVAA-DA03	CVAA-NC03	CVAA-NO03
1"	Fluoroelastomer	17	CVAA-DA04	CVAA-NC04	CVAA-NO04
1-1/4"	Fluoroelastomer	28	CVAA-DA05	CVAA-NC05	CVAA-NO05
1-1/2"	Fluoroelastomer	57	CVAA-DA06	CVAA-NC06	CVAA-NO06
2"	Fluoroelastomer	81	CVAA-DA07	CVAA-NC07	CVAA-NO07
3/8"	EPDM	8	CVAB-DA01	CVAB-NC01	CVAB-NO01
1/2"	EPDM	10	CVAB-DA02	CVAB-NC02	CVAB-NO02
3/4"	EPDM	13	CVAB-DA03	CVAB-NC03	CVAB-NO03
1"	EPDM	17	CVAB-DA04	CVAB-NC04	CVAB-NO04
1-1/4"	EPDM	28	CVAB-DA05	CVAB-NC05	CVAB-NO05
1-1/2"	EPDM	57	CVAB-DA06	CVAB-NC06	CVAB-NO06
2"	EPDM	81	CVAB-DA07	CVAB-NC07	CVAB-NO07
3/8"	BUNA-N	8	CVAC-DA01	CVAC-NC01	CVAC-NO01
1/2"	BUNA-N	10	CVAC-DA02	CVAC-NC02	CVAC-NO02
3/4"	BUNA-N	13	CVAC-DA03	CVAC-NC03	CVAC-NO03
1"	BUNA-N	17	CVAC-DA04	CVAC-NC04	CVAC-NO04
1-1/4"	BUNA-N	28	CVAC-DA05	CVAC-NC05	CVAC-NO05
1-1/2"	BUNA-N	57	CVAC-DA06	CVAC-NC06	CVAC-NO06
2"	BUNA-N	81	CVAC-DA07	CVAC-NC07	CVAC-NO07

*Solenoid Valve – See Model SV3