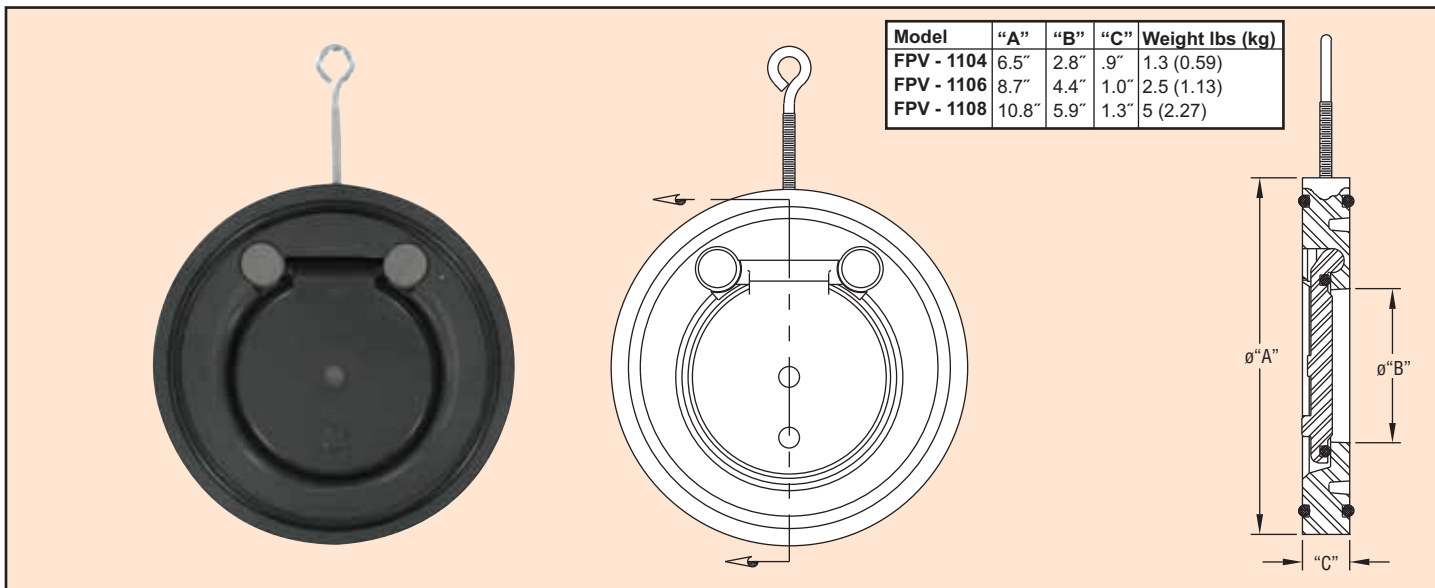




Series  
FPV

# Flap Check Valve

Wafer Style 4" to 8", PVC Construction



**Series FPV Flap Check Valves** prevent reversal of flow in piping systems. They are ideal where backflow could potentially cause damage to pumps, filters, or process equipment. The valves operate without the need for any adjustments or settings. Line pressure moves the solid plastic flap off the elastomer seat, opening the valve. When the inlet flow stops, back pressure moves the flap back onto the seat, stopping the flow. These flap check valves have been designed to provide excellent flow characteristics. Because of their straight-through flow design they have a lower pressure drop than other check valve designs, and their compact size takes up less space in the pipeline than other types of check valves. Because of their all plastic construction, these valves will never jam or stick as a result of rust or corrosion. Additionally, they will not contaminate sensitive fluids that come into contact with them. Series FPV Flap Check Valves are the valves of choice for cost sensitive applications that require a full featured, no compromise valve. These flap check valves are supplied with o-rings set into the body faces. In most cases, flange gaskets are not required. Valves up to 8" usually require a spacer and should always be used with the same material as the valve. Spacers allow full disc opening with minimum interference. Spacers are not required for DIN and PVDF pipe.

## SPECIFICATIONS

**Service:** Compatible fluids.

**Line Size:** 4" to 8".

**Process Connections:** Standard flanges.

**Pressure Limits:**

4": 150 psi (10.3 bar) at 73°F (22.8°C).

6" or 8": 90 psi (6.2 bar) at 73°F (22.8°C).

**Wetted Materials:** PVC body and flap with EPDM O-rings, Silicone free-construction.

**Temperature Limits:** 113°F (45°C).

**Other Materials:** Plug: PP.

## FEATURES

- Low pressure drop design
- Compact, lightweight
- Easy installation
- No flange gaskets needed
- Installs between two standard flanges
- Rugged, cost effective design

Size	Cv	Model	Description
4"	126	FPV-1104	4" PVC Flap Check Valve, EPDM
6"	655	FPV-1106	6" PVC Flap Check Valve, EPDM
8"	945	FPV-1108	8" PVC Flap Check Valve, EPDM