

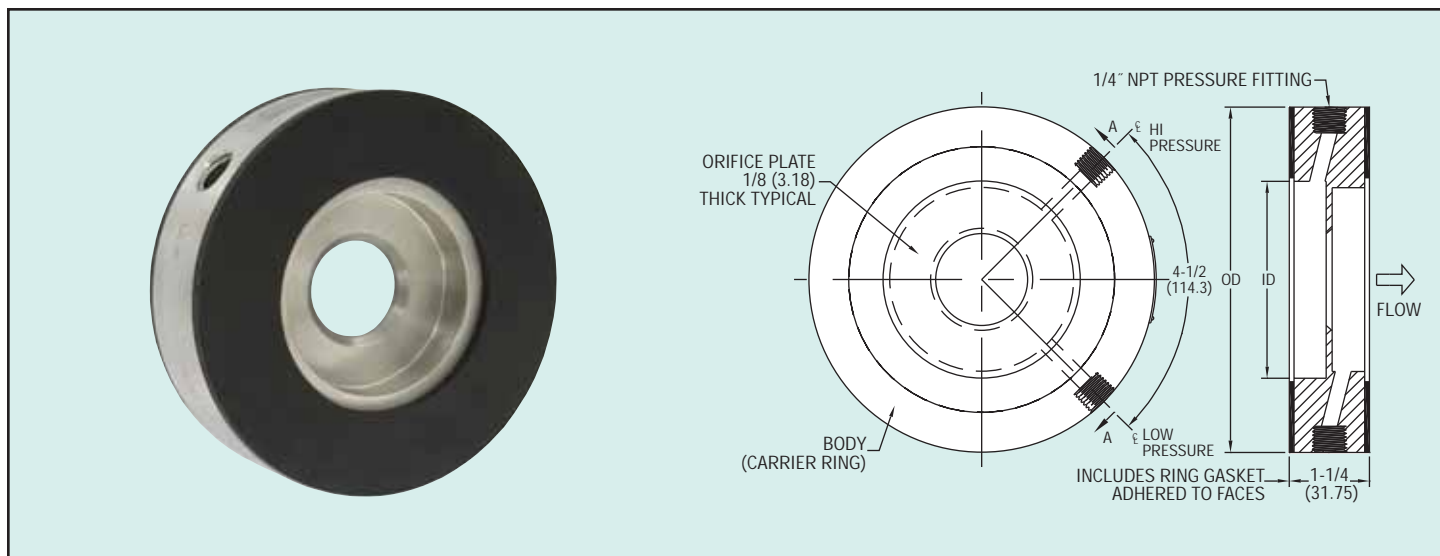


Series
OP

Orifice Plate Flowmeter

Stainless Steel for Use with Liquids and Gases

Flow



The **Series OP Orifice Plate Flow Meter** is a complete orifice plate flow metering package. It incorporates a stainless steel orifice plate with a unique holder or carrier ring containing metering taps and integral gaskets. It was designed for use wherever there is an application for a conventional flow orifice plate. It can also be used in place of other primary differential producers for efficiency and cost effectiveness. Installation is accomplished simply by slipping the unit between standard flanges (orifice flanges are not required). The Series OP is available in line sizes from 1/2" to 24" and can be used with compatible liquids and gases.

FEATURES

- Mounted with standard flanges
- Corner type metering taps
- Corrosion free material
- Simplified installation
- Stainless steel wetted parts
- Proven through a wide range of applications for energy efficiency
- Assures long term reliability and accuracy

APPLICATION

Fluid flow rates in building water lines.

SPECIFICATIONS

Service: For metering compatible liquids and gases.

Wetted Material: 304 SS, Buna-N gaskets.

Accuracy: 0.6% of full scale flow. (Beta = .2-.6) $\pm 0.7\%$ for Beta greater than .6.

Temperature: -50 to 200°F (-45 to 93°C).

Pressure: Limited only by pipe and flange rating restrictions.

Head Loss: 1-Beta ratio² eg: $1-0.7^2 = 1-0.49 = 51\%$ of the d.p.

Line Sizes: 1/2" to 24".

Process Connection: 1/4" female NPT.

Installation: Standard flange, any rating (orifice flanges not required).

Pipe Requirements: General requirements 10 diameter upstream and 5 diameter downstream of orifice plate.

Weight: Varies with line size. See chart.

Series OP Orifice Plate Flowmeter

- Material 304/304 L- dual certified- Gaskets Buna-N
- Based on 70°F, 14.7 psia (Base Conditions)
- Beta Value Based on Std Sch pipe I.D.

- 1.25" overall thickness
- Orifice plate thickness is 0.125"

Model	Weight (lb)	Line Size	Bore	Beta	Water Capacity		Air Capacity - Flow in SCFM			
					Inch d.p. W/C	Flow in GPM	Inch d.p. W/C	at 14.7 psia (0 psig)	at 20 psig	at 100 psig
OP-A-1	1.00	1/2"	0.200"	0.32	20	0.62	20	2.35	3.63	6.61
OP-A-2	1.00	1/2"	0.310"	0.50	100	3.44	100	12.21	19.58	36.37
OP-A-3	1.00	1/2"	0.430"	0.69	320	13.00	200	32.77	56.15	107.47
OP-B-1	1.00	3/4"	0.250"	0.30	20	0.97	20	3.65	5.66	10.3
OP-B-2	1.00	3/4"	0.400"	0.49	100	5.69	100	20.21	32.44	60.26
OP-B-3	1.00	3/4"	0.580"	0.70	320	23.82	200	59.92	102.91	197.2
OP-C-1	2.00	1"	0.300"	0.29	20	1.38	20	5.24	8.11	14.8
OP-C-2	2.00	1"	0.520"	0.49	100	9.63	100	34.2	54.92	102.09
OP-C-3	2.00	1"	0.720"	0.69	320	36.15	200	91.28	156.51	300
OP-D-1	2.00	1.25"	0.400"	0.29	20	2.46	20	9.31	14.41	26.3
OP-D-2	2.00	1.25"	0.700"	0.51	100	17.48	100	62.09	99.75	185.5
OP-D-3	2.00	1.25"	1.00"	0.72	320	71.77	200	180	309.97	595.2
OP-E-1	2.00	1.5"	0.500"	0.31	20	3.85	20	14.57	22.55	41.16
OP-E-2	2.00	1.5"	0.800"	0.50	100	22.73	100	80.82	129.68	241.5
OP-E-3	2.00	1.5"	1.100"	0.68	320	83.95	200	212.18	363.93	697.39
OP-F-1	3.00	2"	0.600"	0.29	20	5.52	20	20.92	32.38	59.13
OP-F-2	3.00	2"	1.000"	0.48	100	35.34	100	125.74	202.03	375.8
OP-F-3	3.00	2"	1.450"	0.70	320	147.74	200	372.09	639.87	1227.63
OP-G-1	4.00	2.5"	0.750"	0.30	20	8.63	20	32.71	50.64	92.48
OP-G-2	4.00	2.5"	1.250"	0.50	100	55.54	100	197.54	317.58	590.91
OP-G-3	4.00	2.5"	1.750"	0.70	320	216.30	200	543.99	936.56	1798.86
OP-H-1	5.00	3"	0.920"	0.30	20	12.97	20	49.17	76.13	139.06
OP-H-2	5.00	3"	1.500"	0.49	100	79.94	100	282.9	454.77	846.21
OP-H-3	5.00	3"	2.150"	0.70	320	324.16	200	816.7	1404.95	2696.28
OP-J-1	7.00	4"	1.200"	0.30	20	22.03	20	83.58	129.44	236.48
OP-J-2	7.00	4"	2.000"	0.50	100	141.51	100	503.76	810.06	1507.64
OP-J-3	7.00	4"	2.800"	0.70	320	547.11	200	1380.03	2373.02	4553.68
OP-K-1	8.00	5"	1.500"	0.30	20	34.39	20	130.48	202.11	369.29
OP-K-2	8.00	5"	2.500"	0.50	100	220.80	100	786.23	1264.42	2353.51
OP-K-3	8.00	5"	3.500"	0.69	320	853.09	200	2152.83	3701.57	7103.22
OP-L-1	10.00	6"	1.800"	0.30	20	49.46	20	187.86	291	531.75
OP-L-2	10.00	6"	3.000"	0.49	100	317.74	100	1331.63	1820.05	3387.93
OP-L-3	10.00	6"	4.200"	0.69	320	1226.98	200	3097.20	5325.20	10219.28
OP-M-1	14.00	8"	2.400"	0.30	20	87.95	20	333.87	517.25	945.28
OP-M-2	14.00	8"	4.000"	0.50	100	565.77	100	2014.95	3241.45	6034.85
OP-M-3	14.00	8"	5.600"	0.70	320	2195.86	200	5532.00	9525.43	18290.00
OP-N-1	20.00	10"	3.000"	0.30	20	137.35	20	521.58	808	1476.77
OP-N-2	20.00	10"	5.000"	0.50	100	883.04	100	3145.50	5060.38	9421.74
OP-N-3	20.00	10"	7.000"	0.70	320	3421.26	200	8626.42	14846.80	28506.17
OP-O-1	30.00	12"	3.600"	0.30	20	197.73	20	750.9	1163.44	2126.47
OP-O-2	30.00	12"	6.000"	0.50	100	1271.62	100	4530	7288.16	13570.33
OP-O-3	30.00	12"	8.400"	0.70	320	4930.86	200	12430.00	21397.00	41089.02
OP-P-1	40.00	14"	4.000"	0.30	20	244.14	20	927.14	1436.59	2625.81
OP-P-2	40.00	14"	6.600"	0.50	100	1537.49	100	6477.67	8812.87	16409.42
OP-P-3	40.00	14"	9.300"	0.70	320	6052.57	200	15251.50	28262.66	50427.78
OP-Q-1	48.00	16"	4.500"	0.30	20	308.76	20	1172.63	1817.05	3321.32
OP-Q-2	48.00	16"	7.600"	0.50	100	2038.95	100	7264.58	11688.26	21764.08
OP-Q-3	48.00	16"	10.700"	0.70	320	8007.74	200	20179.85	34749.32	66737.64
OP-R-1	56.00	18"	5.200"	0.30	20	412.26	20	1565.79	2426.34	4435.12
OP-R-2	56.00	18"	8.600"	0.50	100	2610.71	100	9302.08	14966.93	27869.85
OP-R-3	56.00	18"	12.000"	0.70	320	10027.37	200	25299.92	43535.32	83587.01
OP-S-1	64.00	20"	5.780"	0.30	20	509.55	20	1935.37	2999.11	5482.22
OP-S-2	64.00	20"	9.600"	0.50	100	3252.22	100	11588.20	18645.74	34720.84
OP-S-3	64.00	20"	13.500"	0.70	320	12742.82	200	32115.34	55303.34	106215.88
OP-T-1	78.00	24"	7.000"	0.30	20	747.18	20	2838.14	4398.25	8038.99
OP-T-2	78.00	24"	11.700"	0.50	100	4835.93	100	17229.62	27726.33	51633.81
OP-T-3	78.00	24"	16.300"	0.70	320	18572.50	200	46810.53	80610.19	154823.78

Note: Differential pressure values should be less than 50% of the inlet absolute pressure.

