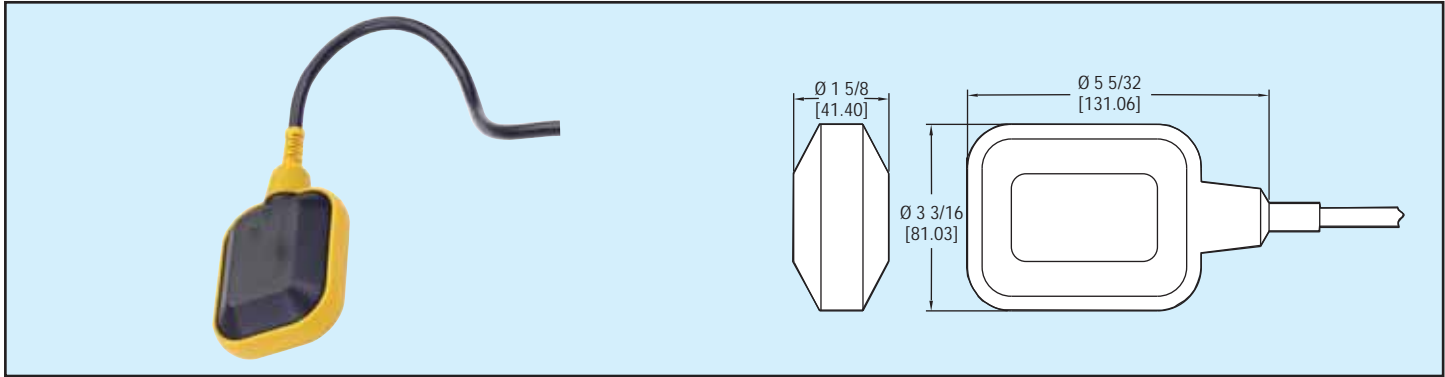




Series
CFS

Cable Float Switch

No Hazardous Mercury, Adjustable Counterweight



Control the level of liquids in filling or draining reservoirs and tanks with the Series CFS. The mercury-free switch is designed with an inverter microswitch housed in a polypropylene cover. The unit includes a counterweight to adjust the stop and start levels of pump up/pump down application.

Model	Cable Length
CFS-2	6.5 ft (2 m)
CFS-10	32.8 ft (10 m)

SPECIFICATIONS

Service: Compatible liquids.

Wetted Materials: Polypropylene housing, PVC cable.

Temperature Limits: 140°F (60°C).

Pressure Limits: 60 psi (4 bar).

Enclosure Rating: NEMA 6 (IP68).

Switch Type: SPDT.

Electrical Rating: 10 A @ 250 VAC, resistive.

Mounting Orientation: Vertical.

Weight:

CFS-2: 1.416 lb (.62 kg).

CFS-10: 3.316 lb (1.48 kg).

Agency Approvals: CE.