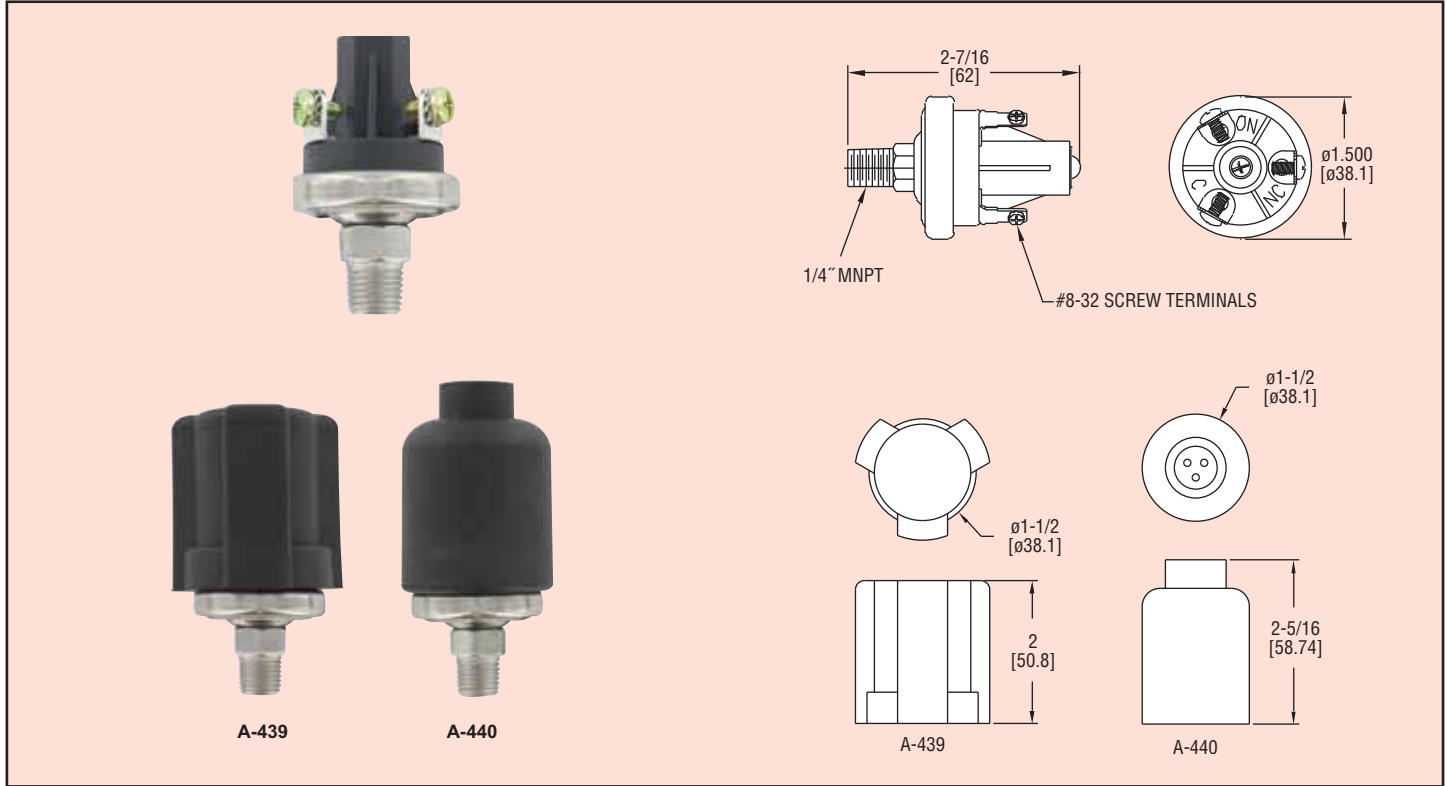




Series
A6

Durable Pressure Switch

Designed for Extended Duty, Simple and Reliable



Series A6 Durable Pressure Switches have been specifically designed to stand up to extended duty applications. These switches are constructed with a polyimide film diaphragm and are compatible with a variety of fluids. For ease of installation, the switches come with a 1/4" male NPT process connection and can be mounted in any orientation. The Series A6 pressure switches are compact and have great setpoint integrity, and feature simple, easy set-point field adjustment.

SPECIFICATIONS

Service: Air, motor oils, transmission oils, jet fuels, and similar hydrocarbon media. (Consult factory for water use).

Wetted Materials: Base: Brass or 304 SS, Diaphragm: polyimide film.

Temperature Limits: -40 to 248°F (-40 to 120°C).

Pressure Limits:

Operating Pressure: 150 psi for 0.5-24 psi set point range, 250 psi for 25-150 psi set-point range.

Proof Pressure: 500 psi.

Burst Pressure: 750 psi for 0.5-24 psi set point range, 1250 psi for 25-150 psi set-point range.

Enclosure Rating: General purpose or with cover: IP65 - Weatherproof.

Repeatability: ±10% of set-point.

Switch Type: SPDT snap action.

Electrical Ratings:

Resistive: 15A @ 6VDC, 8A @ 12VDC, 4A @ 24VDC;

Inductive: 1A @ 120VAC, 0.5A @ 240VAC.

Electrical Connections: #8-32 screw terminals.

Process Connection: 1/4" MNPT.

Mounting Orientation: Switch can be installed in any position.

Set-point Adjustment: Capable of field-adjustment.

Agency Approvals: CE

Weight: 0.13 lb (0.06 kg).

Model	Set Point Range psi (bar)	Base Material
A6-151221	0.5-1 ± 0.3 (0.03-0.07 ± 0.02)	Brass
A6-251221	1.1-3 ± 0.5 (0.08-0.21 ± 0.03)	Brass
A6-351221	3.1-7 ± 1 (0.21-0.48 ± 0.07)	Brass
A6-451221	8-13 ± 2 (0.55-0.90 ± 0.18)	Brass
A6-551221	14-24 ± 3 (0.97-1.65 ± 0.21)	Brass
A6-651221	25-50 ± 5 (1.72-3.45 ± 0.34)	Brass
A6-751221	51-90 ± 7 (3.52-6.21 ± 0.48)	Brass
A6-851221	91-150 ± 10 (6.27-10.34 ± 0.69)	Brass
A6-153221	0.5-1 ± 0.3 (0.03-0.07 ± 0.02)	304 SS
A6-253221	1.1-3 ± 0.5 (0.08-0.21 ± 0.03)	304 SS
A6-353221	3.1-7 ± 1 (0.21-0.48 ± 0.07)	304 SS
A6-453221	8-13 ± 2 (0.55-0.90 ± 0.18)	304 SS
A6-553221	14-24 ± 3 (0.97-1.65 ± 0.21)	304 SS
A6-653221	25-50 ± 5 (1.72-3.45 ± 0.34)	304 SS
A6-753221	51-90 ± 7 (3.52-6.21 ± 0.48)	304 SS
A6-853221	91-150 ± 10 (6.27-10.34 ± 0.69)	304 SS

Model	Description
A-439	Weatherproof IP65 Cover
A-440	Weatherproof IP65 w/ Fly-wire holes