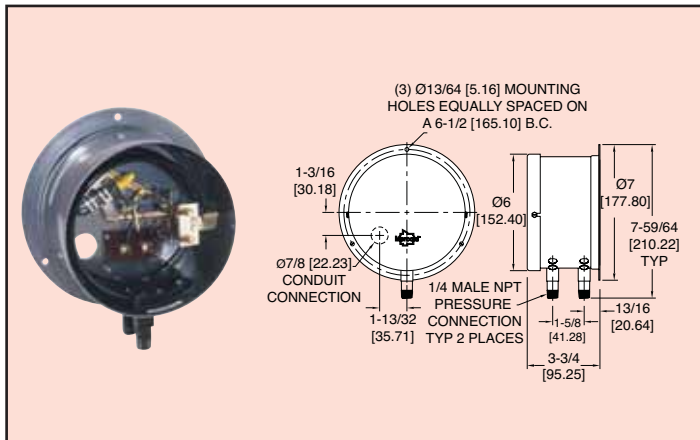




Series
BB

Bourdon Tube Differential Pressure Switches

Stainless Steel Bourdon Tubes, Adjustable Deadband, High Pressure



Welded stainless steel Bourdon tubes reduce chance of leakage, (even in the event of fire), in model BB differential pressure switches. Units are ideal for checking differential pressure (head) across high pressure pumps and filters. Hermetically sealed mercury wetted contacts help ensure reliable operations. Extra sensitive (fixed deadband) units are available on special order, as are weatherproof and explosion-proof enclosures.

SPECIFICATIONS

Wetted Materials: 403 SS Bourdon tube. 316 SS optional.

Temperature Limits: -10 to 180°F (-23 to 82°C).

Pressure Limit: Maximum pressure of the operating range.

Enclosure Rating: General purpose. Weatherproof and explosion-proof optional.

Switch Type: SPST mercury switch. Models shown close on increase of differential pressure. Replace "-3" with "-2" in model number for open on increase.

Electrical Rating: 5A @ 120 VAC, 2.5A @ 240 VAC, 2.5A @ 120 VDC, 1A @ 240 VDC.

Electrical Connections: Screw type.

Conduit Connection: 7/8" (22.23 mm) hole for 1/2" (12.7 mm) conduit hub.

Process Connection: 1/4" male NPT. 1/2" male NPT on ranges 15S and 16S.

Mounting Orientation: Vertical. Vibration free.

Set Point Adjustment: Thumbwheel screw.

Weight: 4 lb (1.8 kg).

Deadband: See model chart.

Agency Approvals: CSA.

Suggested Specification:

Differential pressure switches shall be operated by welded type 403 SS Bourdon tubes. No elastomeric or plastic O-rings, diaphragms or packing shall be used in pressure containment. Contacts shall be hermetically sealed and mercury wetted. Units shall be Mercoïd® Differential Pressure Switch Model No. BB ().

MODELS

Model	Operating Range psig (bar)	Differential Range psid (bar)	Min./Max. Deadband psig (bar)
BB-523-3-6S	5-100 (3-6.9)	0-40 (0-2.8)	3/40 (.21/2.8)
BB-523-3-8S	10-200 (7-13.8)	0-120 (0-8.3)	4/120 (.28/8.3)
BB-523-3-9S	10-300 (7-20.7)	0-180 (0-12.4)	6/180 (.41/5.5)
BB-523-3-10S	25-600 (1.7-41.4)	0-360 (0-24.8)	15/360 (1.0/24.8)
BB-523-3-11S	50-1000 (3.5-69.0)	0-600 (0-41.4)	20/600 (1.4/41.4)
BB-523-3-12S	100-1500 (6.9-103.4)	0-900 (0-62.1)	40/900 (2.8/62.1)
BB-523-3-13S	300-2500 (20.7-172.4)	0-1500 (0-103.4)	50/1500 (3.5/103.4)
BB-523-3-15S	500-5000 (34.5-344.7)	0-3000 (0-206.8)	200/3000 (8.6/206.8)
BB-523-3-16S	1000-8000 (69.9-551.6)	0-5000 (0-344.7)	500/5000 (34.5-344.7)

Maximum pressure not to exceed maximum adjustable operating pressure range.