

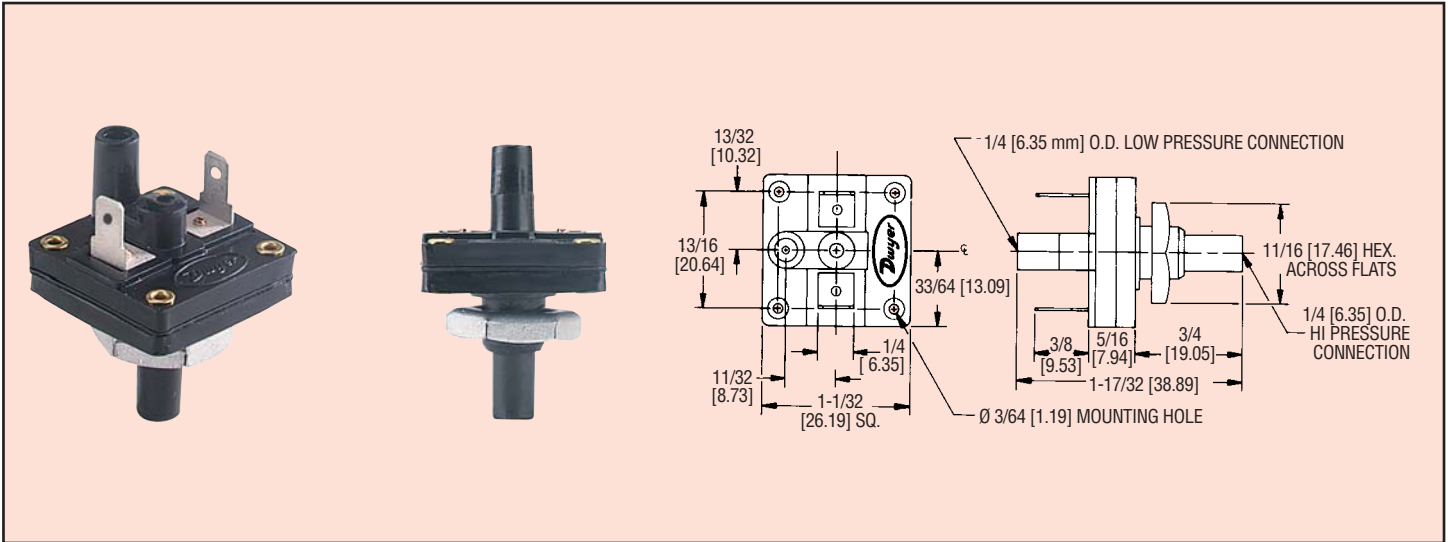


Series  
MTR

# Minitactor™ Differential Pressure Switches

For Air and Compatible Gases, Set Points from 2" w.c. to 7 psi

Pressure



For quantity OEM applications the Dwyer Minitactor™ differential pressure switch is ideal as a flow or pressure sensor on analyzers, testers, fluidic systems, computers and peripheral equipment. Normally open, it will switch on from positive, negative or differential pressures. For OEM orders, the small (1" square), low cost units are factory calibrated with required set points ranging from 2" w.c. to 7 psig. Diaphragm is molded Buna-N; housing is mineral filled Nylon. Easily mounted in any position by 3/8" panel nut on H.P. port or screws through case eyelets. Life expectancy is a minimum of one million cycles zero to actuation pressure or 10 million cycles deactuation pressure to actuation pressure.

**Ranges from 6.1 to 200 in. w.c.**

Silver contacts..... Gold contacts .....  
Specify setpoint when ordering. Minimum quantity 25 pieces.

**Ranges from 2 to 6 in. w.c.**

Silver contacts..... Gold contacts .....  
Specify setpoint when ordering. Minimum quantity 25 pieces.

**SPECIFICATIONS**

- Service:** Air and non-combustible, compatible gases.
- Wetted Materials:** Consult factory.
- Temperature Limits:** 32 to 140°F (0 to 60°C).
- Pressure Limit:** 250" w.c. (62.21 kPa) maximum.
- Switch Type:** Non-snap acting. Normally open, closes on increase pressure.
- Repeatability:** +/-5%.
- Electrical Rating:** Silver contacts: 5 VAC. 0.5A resistive; gold plated contacts: 5 VAC, 50 mA resistive.
- Electrical Connections:** 3/16" male push-on tab terminals.
- Process Connections:** 1/4" (635 mm) O.D. ports.
- Mounting Orientation:** Diaphragm in vertical position. Consult factory for other position orientations.
- Set Point Adjustment:** 0.050" (1.27 mm) hex socket.
- Weight:** 0.5 oz (14.2 g).

**MODEL CHART**

<b>Series</b>	MTR			
<b>Contacts</b>		G S		Gold Silver
<b>Diaphragm</b>			B V S N	Buna-N Viton® Silicone Neoprene
<b>Range</b>			1 2 3 4	2.0 - 6.0 in. w.c. 6.1 - 25.9 in. w.c. 26.0 - 100.9 in. w.c. 101.0 - 200 in.w.c.