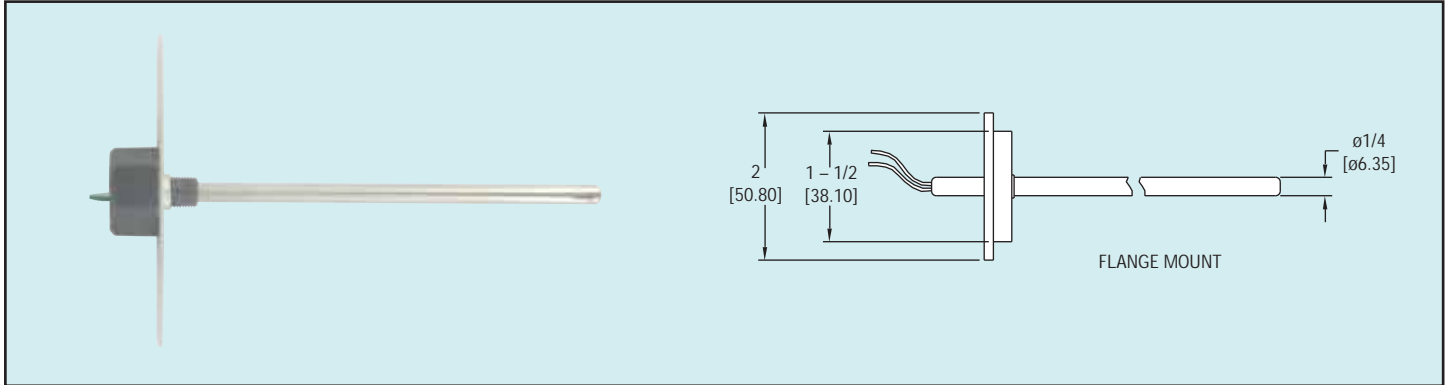




Series
AD

Air/Duct Temperature Sensors

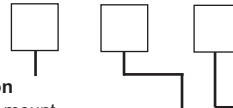


Air/Duct Temperature Sensors are available in precision platinum, nickel, or balco RTDs and interchangeable NTC thermistors. Sensors are constructed with a hermetically sealed 304 SS sheath and are unaffected by high humidity, contamination, thermal shock or vibration. Flange mount sensors offer low profile mounting and quick installation directly into duct work. Rugged air/duct sensors are ideal for air handlers, fan coil units, ducts, furnaces, freezers, ovens and other through wall temperature sensing applications.

Model Coding

Fill in the appropriate numbers or letters to specify the probe of your choice. Fill in all boxes. If an item or dimension does not apply, fill those boxes with zeros '0'.

AD



Installation

- 1 - Flange mount
3" (175 mm) wire leads
- 2 - Flange mount
6 ft (1.8 m) cable

Sensor Type

- 1 - Pt 100 Ω RTD
- 2 - Pt 1000 Ω RTD
- 3 - Ni 1000 Ω RTD
- 4 - 1000 Ω Balco RTD
- 5 - 10 kΩ NTC Thermistor
- 6 - 3 kΩ NTC Thermistor
- 7 - 5 kΩ NTC Thermistor
- 8 - 100 kΩ NTC Thermistor
- 9 - 20 kΩ NTC Thermistor
- A - 2252 Ω NTC Thermistor

Probe Length

- 04 - 4" (100 mm)
- 06 - 6" (150 mm)
- 08 - 8" (200 mm)
- 12 - 12" (300 mm)

* Minimum order quantity of 10 pieces.