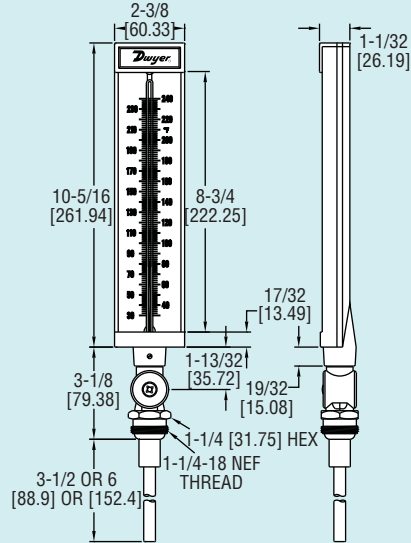




Series  
IT

# Industrial Thermometer

9" Scale, Adjustable Angle Stem



The Series IT Industrial Thermometer allows users to easily take accurate temperature measurements in any environment. The case of the IT series is made of die cast aluminum for extra durability in industrial environments. The glass lens is easily cleaned and resists scratches for better viewing of the scale. The stem can be adjusted 180° in order to achieve the best viewing angle. The blue organic fill is non-toxic and allows users to better see the temperature reading. The scales can be ordered with dual units, °F, or °C.

## SPECIFICATIONS

**Wetted Material:** Tapered cast aluminum with graphite fill.

**Housing Material:** 9" (228 mm) aluminum.

**Lens:** Glass.

**Accuracy:** 1% accuracy.

**Scales:** Aluminum painted white with black markings.

**Process Connection:** 1-1/4-18 NEF thread.

**Liquid Filling:** Organic blue liquid filled tube.

**Mounting:** Adjustable stem: vertical plane 180° horizontal plane 360°.

**Weight:** 1 lb 7 oz (0.65 kg).

3-1/2" Stem		6" Stem	
Model	Range	Model	Range
ITA9351D	-40 to 110°F (-40 to 40°C)	ITA9601D	-40 to 110°F (-40 to 40°C)
ITA9352D	0 to 120°F (-15 to 50°C)	ITA9602D	0 to 120°F (-15 to 50°C)
ITA9353D	0 to 160°F (-15 to 70°C)	ITA9603D	0 to 160°F (-15 to 70°C)
ITA9354D	30 to 180°F (0 to 80°C)	ITA9604D	30 to 180°F (0 to 80°C)
ITA9355D	30 to 240°F (0 to 115°C)	ITA9605D	30 to 240°F (0 to 115°C)
ITA9356D	30 to 300°F (0 to 150°C)	ITA9606D	30 to 300°F (0 to 150°C)
ITA9357D	50 to 400°F (10 to 205°C)		
ITA9358D	100 to 550°F (40 to 300°C)		