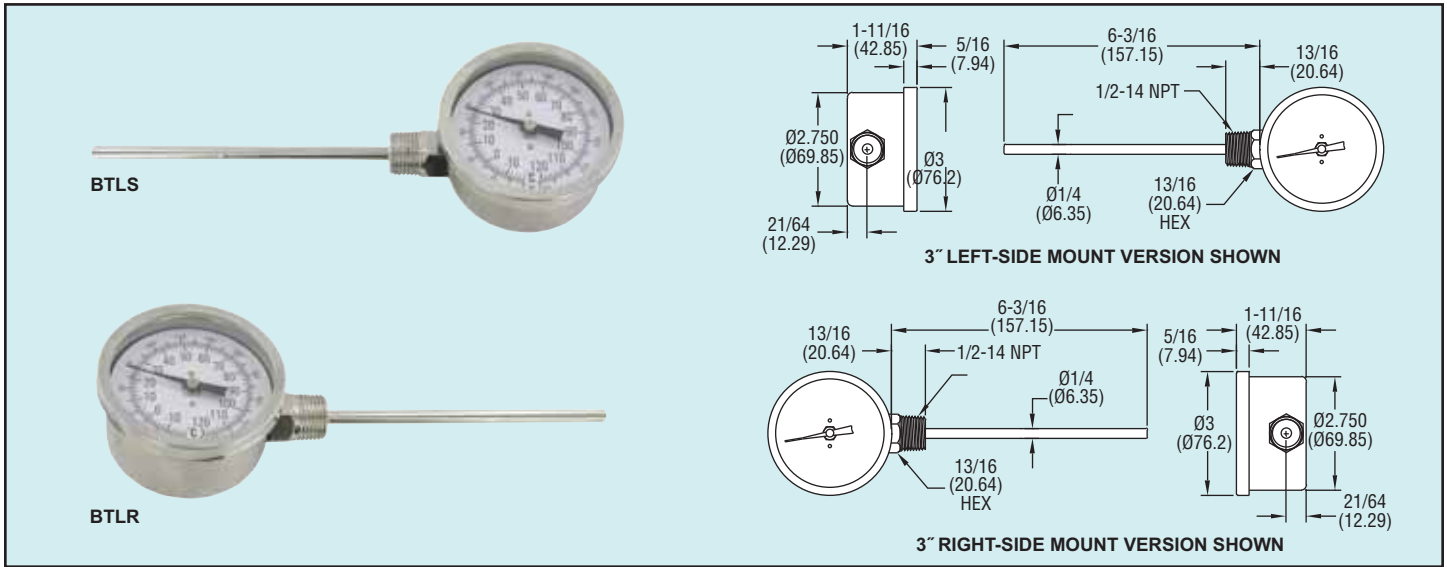




Series
BTL

Side Reading Bimetal Thermometer

Horizontally Mounts to Tank



Series BTL Side Reading Bimetal Thermometers are a great fit for tight, compact areas. Series BTL thermometers are constructed from 304 SS and have a scratch resistant glass lens for easy viewing. These horizontally mounted thermometers face upright to allow quick and easy measurements. With an accuracy of $\pm 1\%$, the durable Series BTL thermometers are built to last for many years of great service.

SPECIFICATIONS

Wetted Materials: 304 SS.

Lens: Glass.

Accuracy: $\pm 1\%$ F.S.

Temperature Limits: Ambient: -40 to 392°F (-40 to 200°C).

Dial Size: 3".

Process Connection: 1/2" NPT.

Resolution: Less than 2% of scale.

Weight: 9.2 oz (260 g).

Model	Connection	Stem	Range*	Model	Connection	Stem	Range*
BTLS32541	Left-side	2-1/2"	-40 to 160°F	BTLR32541	Right-side	2-1/2"	-40 to 160°F
BTLS325101	Left-side	2-1/2"	0 to 200°F	BTLR325101	Right-side	2-1/2"	0 to 200°F
BTLS32551	Left-side	2-1/2"	0 to 240°F	BTLR32551	Right-side	2-1/2"	0 to 240°F
BTLS325121	Left-side	2-1/2"	50 to 400°F	BTLR325121	Right-side	2-1/2"	50 to 400°F
BTLS32571	Left-side	2-1/2"	50 to 500°F	BTLR32571	Right-side	2-1/2"	50 to 500°F
BTLS3255D	Left-side	2-1/2"	0 to 25/-20 to 120°C	BTLR3255D	Right-side	2-1/2"	0 to 25/-20 to 120°C
BTLS34041	Left-side	4"	-40 to 160°F	BTLR34041	Right-side	4"	-40 to 160°F
BTLS340101	Left-side	4"	0 to 200°F	BTLR340101	Right-side	4"	0 to 200°F
BTLS34051	Left-side	4"	0 to 240°F	BTLR34051	Right-side	4"	0 to 240°F
BTLS340121	Left-side	4"	50 to 400°F	BTLR340121	Right-side	4"	50 to 400°F
BTLS34071	Left-side	4"	50 to 500°F	BTLR34071	Right-side	4"	50 to 500°F
BTLS3405D	Left-side	4"	0 to 25/-20 to 120°C	BTLR3405D	Right-side	4"	0 to 25/-20 to 120°C
BTLS36041	Left-side	4"	-40 to 160°F	BTLR36041	Right-side	6"	-40 to 160°F
BTLS360101	Left-side	6"	0 to 200°F	BTLR360101	Right-side	6"	0 to 200°F
BTLS36051	Left-side	6"	0 to 240°F	BTLR36051	Right-side	6"	0 to 240°F
BTLS360121	Left-side	6"	50 to 400°F	BTLR360121	Right-side	6"	50 to 400°F
BTLS36071	Left-side	6"	50 to 500°F	BTLR36071	Right-side	6"	50 to 500°F
BTLS3605D	Left-side	6"	0 to 25/-20 to 120°C	BTLR3605D	Right-side	6"	0 to 25/-20 to 120°C

*Dual scale available by changing last digit to D.
(Example: BTLS3254D)