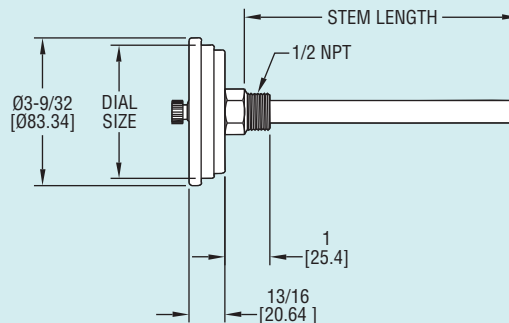




Series
BTM3

Maximum/Minimum Bimetal Thermometer

Scratch-Resistant Glass Lens, Max/Min Temperature Pointer



The Series BTM3 Bimetal Thermometer with Maximum/Minimum Temperature Pointer accurately measures the current temperature along with a maximum read or minimum read temperatures. Series BTM3 thermometers are conveniently available in multiple temperature ranges and stem lengths ranging from 2-1/2 to 12 inches. These heavy duty back-connected thermometers are ideal for any industrial applications such as boilers, ovens, or refrigerated cabinets.

SPECIFICATIONS

Wetted Materials: 304 SS.

Housing Material: Series 300 SS.

Lens: Scratch resistant glass.

Accuracy: ±1%.

Temperature Limits: Ambient: 15 to 300°F (-10 to 150°C).

Dial Size: 3".

Process Connection: 1/2" NPT.

Resolution: 2°.

Weight: 7.4 oz (210 g).

Model	Connection	Range	Stem	Model	Connection	Range	Stem
BTM3254D	Back	-40 to 160°F (-40 to 71.1°C)	2-1/2"	BTM3606D	Back	50 to 300°F (10 to 148.9°C)	6"
BTM32511D	Back	0 to 140°F (-17.8 to 60°C)	2-1/2"	BTM3608D	Back	150 to 750°F (65.5 to 398.9°C)	6"
BTM32510D	Back	0 to 200°F (-17.8 to 93.3°C)	2-1/2"	BTM3904D	Back	-40 to 160°F (-40 to 71.1°C)	9"
BTM3256D	Back	50 to 300°F (10 to 148.9°C)	2-1/2"	BTM39011D	Back	0 to 140°F (-17.8 to 60°C)	9"
BTM3258D	Back	150 to 750°F (65.5 to 398.9°C)	2-1/2"	BTM39010D	Back	0 to 200°F (-17.8 to 93.3°C)	9"
BTM3404D	Back	-40 to 160°F (-40 to 71.1°C)	4"	BTM3906D	Back	50 to 300°F (10 to 148.9°C)	9"
BTM34011D	Back	0 to 140°F (-17.8 to 60°C)	4"	BTM3908D	Back	150 to 750°F (65.5 to 398.9°C)	9"
BTM34010D	Back	0 to 200°F (-17.8 to 93.3°C)	4"	BTM3124D	Back	-40 to 160°F (-40 to 71.1°C)	12"
BTM3406D	Back	50 to 300°F (10 to 148.9°C)	4"	BTM31211D	Back	0 to 140°F (-17.8 to 60°C)	12"
BTM3408D	Back	150 to 750°F (65.5 to 398.9°C)	4"	BTM31210D	Back	0 to 200°F (-17.8 to 93.3°C)	12"
BTM3604D	Back	-40 to 160°F (-40 to 71.1°C)	6"	BTM3126D	Back	50 to 300°F (10 to 148.9°C)	12"
BTM36011D	Back	0 to 140°F (-17.8 to 60°C)	6"	BTM3128D	Back	150 to 750°F (65.5 to 398.9°C)	12"
BTM36010D	Back	0 to 200°F (-17.8 to 93.3°C)	6"				