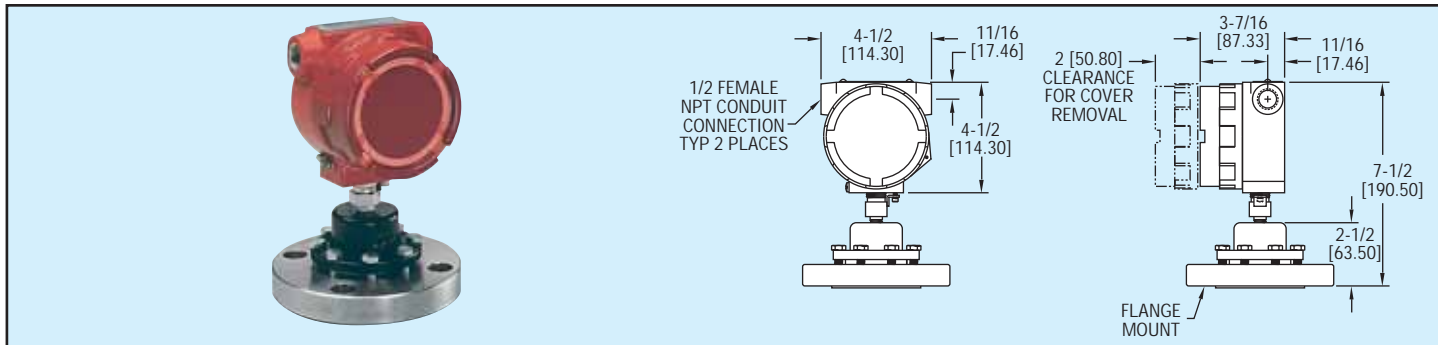




Series
PLT

Piezoresistive Level Transmitter

2-wire, Loop-Powered, $\pm 0.25\%$ Accuracy



Series PLT Piezoresistive Level Transmitters provide reliable measurement and control of process levels by sensing the hydrostatic pressure in a tank. The loop-powered level transmitter delivers a 4 to 20 mA output signal proportional to hydrostatic pressure and specific gravity of the fluid for indicating, recording or control purposes. Easily accessible zero and span potentiometers make calibration in the field quick and simple. Units are equipped with EMI and reverse polarity protection.

APPLICATIONS

Monitor and control levels of water, chemicals, lubricants, or paints in vented tanks. Ideal for fluids with suspended solids such as wastewater and slurries.

Model	Range		Mounting
PLT1040	1 psig (0.07 bar)	2 ft (.61 m)	1" female NPT
PLT1050	1 psig (0.07 bar)	2 ft (.61 m)	2" Flange
PLT2040	5 psig (0.34 bar)	10 ft (3.05 m)	1" female NPT
PLT2050	5 psig (0.34 bar)	10 ft (3.05 m)	2" Flange

SPECIFICATIONS

Service: Compatible liquids.

Wetted Materials: 316 SS and PTFE.

Accuracy: $\pm 0.25\%$ of span. Repeatability and hysteresis: $\pm 0.10\%$ of full range.

Temperature Limits: 0 to 200°F (-18 to 93°C).

Compensated Temperature Range: 0 to 180°F (-18 to 82°C).

Pressure Limit: 3 times the full range.

Power Requirements: 18 to 30 VDC.

Output Signal: 4 to 20 mA, 2 wire.

Zero and Span Adjustments: Zero adjustment for elevation compensation: 25%.

Loop Resistance: 1000 Ohms at 24 VDC.

Electrical Connections: Screw terminal.

Conduit Connection: 1/2" female NPT.

Process Connection: 2 or 3" 150# flange, 3" 300# flange. 1/4", 1/2", or 3/4" female NPT.

Enclosure Rating: Weatherproof.

Mounting Orientation: Any position.

Weight: NPT Connection: 7.95 lb (3.61 kg), 2" flange connection: 11.85 lb (5.38 kg).

Fill Solution: Silicone oil.

Vibration Limits: ± 1 g, 10 to 200 Hz.
Options: See process connection for other connection options. 10 psi (.69 bar) up to 500 psi (34.47 bar) ranges.