



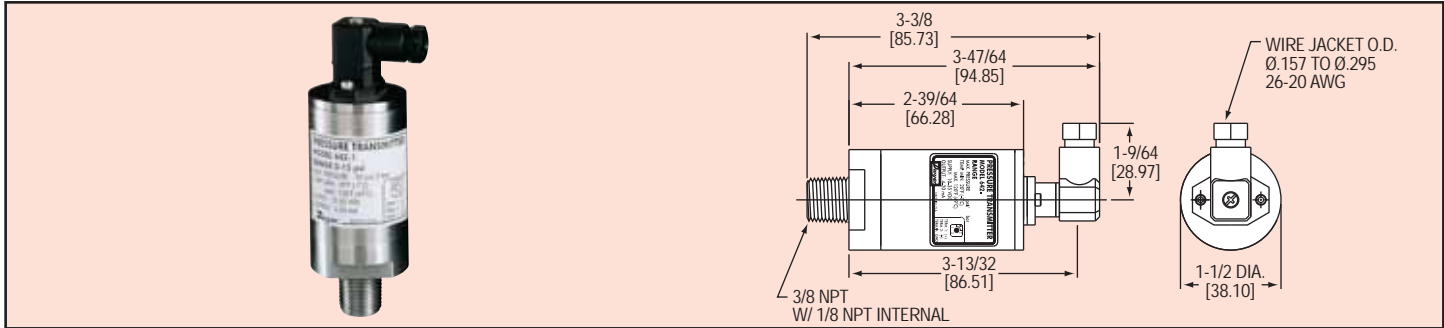
Series  
642

# Pressure Transmitter

±0.1% Accuracy, SS Wetted Parts, Economical



Pressure



The Series 642 Pressure Transmitter uses high end ASIC technology to compensate for both linearity and thermal errors, providing an output with an accuracy of 0.1% of F.S. The 642 is therefore well suited for applications where precision measurement and control is an absolute must. Units are constructed of 316 and 316L SS wetted parts for superior compatibility. Zero and span are independently adjustable. Transmitters feature simple two wire operation plus reverse polarity protection. Liquid fill provides shock and vibration resistant protection.

## APPLICATIONS

Aerospace industries, factory automation, equipment monitoring and industrial research. The Series 642 Pressure Transmitter is ideal for use in harsh environments.

Model	Pressure Range
642-1	0 - 15 psig (0 - 1.03 bar)
642-2	0 - 30 psig (0 - 2.07 bar)
642-3	0 - 50 psig (0 - 3.45 bar)
642-4	0 - 100 psig (0 - 6.90 bar)

## SPECIFICATIONS

**Service:** Compatible, gases & liquids.

**Wetted Materials:** Types 316, 316L SS.

**Accuracy:** ±0.1% F.S.

**Stability:** ±1% F.S./yr.

**Temperature Limits:** 0 to 150°F (-17.8 to 65°C).

**Compensated Temperature Limits:** 20 to 120°F (-6.67 to 48.9°C).

**Pressure Limit:** 2x pressure range.

**Thermal Effect:** ±0.025% F.S./°F (0.045% F.S./°C).

**Power Requirements:** 10 to 35 VDC (2-wire).

**Output Signal:** 4 to 20 mA.

**Zero & Span Adjustments:** Accessible potentiometers adjustable to 0.05% of full span.

**Loop Resistance:** 1250 ohms DC max.

**Current Consumption:** 38 mA DC max.

**Electrical Connections:** 3-position terminal block.

**Process Connection:** Dual-size 3/8" (9.53 mm) male NPT, 1/8" (3.18 mm) female NPT.

**Enclosure Rating:** Designed to meet NEMA 4.

**Mounting Orientation:** Not position sensitive.

**Weight:** 11 oz (312 g).

**Agency Approvals:** CE.